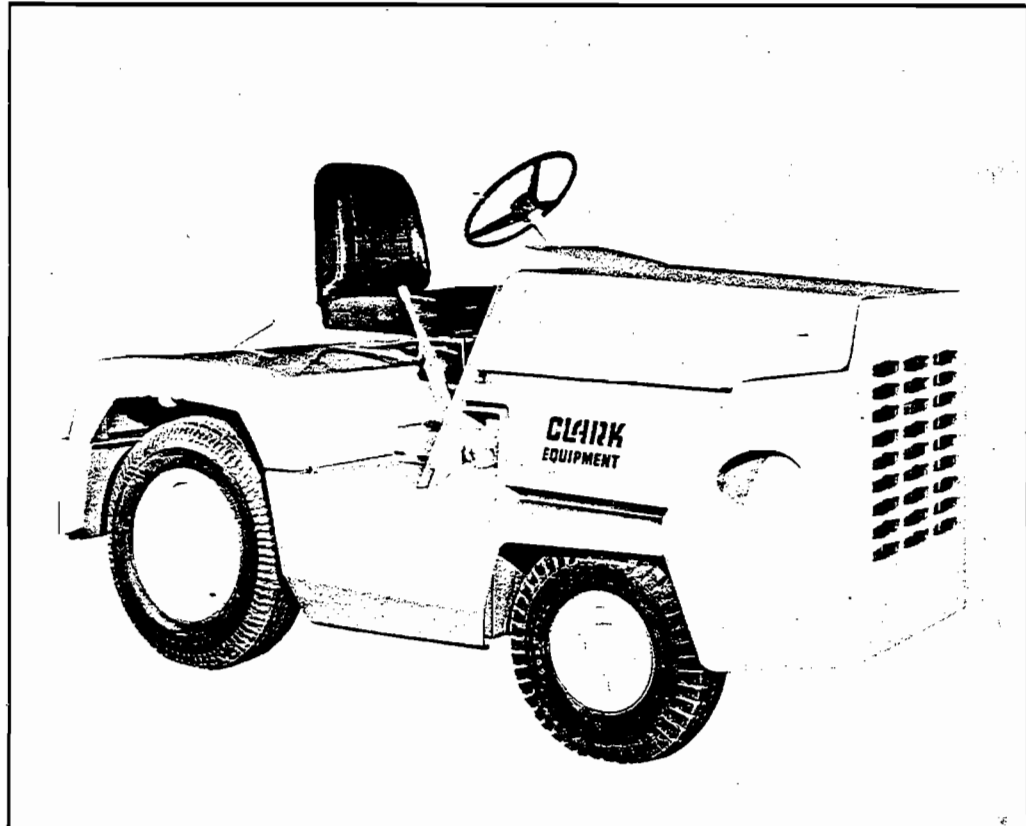


CLARK Industrial Truck
Division

CLARKTOR



PARTS BOOK NO. X147 4530

This manual covers machine serial no. CTAE-95-3710
286-4140

ALWAYS GIVE MACHINE SERIAL NUMBER WHEN ORDERING PARTS

Clark Equipment Company
Customer Service Publications Department
Battle Creek, Michigan 49016

TO REDUCE YOUR DOWNTIME, CLARK PROVIDES FASTEST PARTS AVAILABILITY

AND HERE'S WHY.....

1. DEALERS - STRATEGICALLY LOCATED - CARRY AMPLE INVENTORIES TO SUPPLY YOUR MOST FREQUENTLY OCCURRING PARTS NEEDS-ON A LOCAL BASIS.
2. A 16,000 MILE PRIVATE WIRE SYSTEM LINKS ALL DEALERS TO CLARK'S CENTRAL PARTS WAREHOUSE TO PROVIDE COMMUNICATION AT THE SPEED OF LIGHT-TO SPEED UP ORDERING OF PARTS DEALERS MAY NOT HAVE.
3. COMPLETELY AUTOMATED INVENTORY CONTROL AND ORDER PROCESSING AT CENTRAL PARTS, SPEEDS PARTS YOU NEED ON THEIR WAY IN MINUTES, INSURES DELIVERY IN SHORTEST POSSIBLE TIME.
4. SO, WHEN YOU ORDER CLARK PARTS. YOU NOT ONLY GET THE PARTS THAT ARE PERFECT FOR YOUR TRUCK, BUT, YOU GET THEM WHEN YOU NEED THEM, RIGHT NOW.

CLARK

Industrial Truck Division



Look in the yellow pages of your telephone book, for your CLARK DEALER, who can provide genuine CLARK parts when you need them!

CLARK DEALERS
LOCATED IN ALL
MAJOR MARKETING
AREAS.

EXAMPLE:

CLARK INDUSTRIAL TRUCKS

- ALL POWER TYPES—
- NEW & USED TRUCKS—
- RENTALS AND LEASE—
- PARTS & SERVICE

CLARK

“FOR INFORMATION CALL”

Address..... Phone No.....

CTAE INDEX

A	E
Accelerator Linkage.....113, 167	Electrical Components.....149
Air Cleaner.....71	Electrical Wiring.....161
Alternator.....139	Engine Assembly.....37
Alternator, Mounting.....137	Engine Mount.....33
Automatic Transmission.....83	Exhaust System.....75
Axle Assembly, Front.....7	
Axle Assembly, Rear.....15	F
	Fan.....69
B	Filter, Air.....71
Back-Up Lamp.....159	Filter, Oil.....51
Battery.....153	Frame.....3
Belt, Fan.....69	Fuel Lines.....65
Block, Engine.....37	Fuel Pump.....63
Brake, Parking.....101	Fuel Tank.....67
Brake, Wheel.....11 & 23	
Brake Lines.....117	G
Brake Master Cylinder.....123	Gaskets, Engine.....35
Brake Pedal Linkage.....115	Gauges, Instrument Panel.....147
	Gear, Steering.....127
C	Gear Cover.....45
Camshaft.....43	Governor.....61
Carburetor.....57	
Case, Transfer.....21	H
Choke Cable.....111	Harness, Wiring.....161
Convertor, Torque.....79	Head Lamp.....155
Cooling Lines, Transmission.....109	Hood.....131
Cooling System.....73	Hose, Radiator.....73
Coupler.....163	Housing, Torque Convertor.....81
Crankcase.....37	Hydrovac.....121
Crankcase Ventilation System.....77	
Crankshaft.....39	I
	Ignition Coil.....149
D	
Data Plates.....165	L
Decals.....165	Lamp, Back-Up.....159
Differential & Carrier.....19	Lamp, Head.....155
Directional Control Linkage.....105	Lamp, Stop & Tail.....157
Distributor.....143	Lines, Brake.....117
Drag Link.....125	Lines, Fuel.....65
Drive Axle.....15	Lines, Transmission Cooling.....109
Drive Wheel.....29 & 31	Lines, Transmission Vacuum.....111

CTAE INDEX

M

Manifold, Exhaust.....55
Manifold, Intake.....55
Master Cylinder.....123
Mount, Engine.....33
Muffler.....75

O

Oil Filter.....51
Oil Pan.....49
Oil Pump.....47

P

Pan, Engine Oil.....49
Parking Brake.....101
Parking Brake Linkage.....117
Prop Shaft.....25
Pump, Fuel.....63
Pump, Oil.....47
Pump, Water.....53

R

Radiator.....73
Regulator, Transmission Oil Pressure.....99
Regulator, Voltage.....149

S

Seat.....135
Sheet Metal.....131
Spark Plug.....37
Spark Plug Wire Set.....143 & 161
Starter.....145
Starter Drive.....145
Steer Axle.....7
Steer Wheel.....27
Steering Gear.....127
Steering Linkage.....125
Stop & Tail Lamp.....157
Suspension, Drive.....13
Suspension, Steer.....5

T

Tail Lamp.....157
Tank, Fuel.....67
Thermostat.....73
Tire, Drive.....29 & 31
Tire, Steer.....27
Torque Converter.....79
Transfer Case.....21
Transmission.....83
Transmission Cooling Lines.....109
Transmission Linkage.....103
Transmission Servo.....93 & 95
Transmission Vacuum Lines.....111

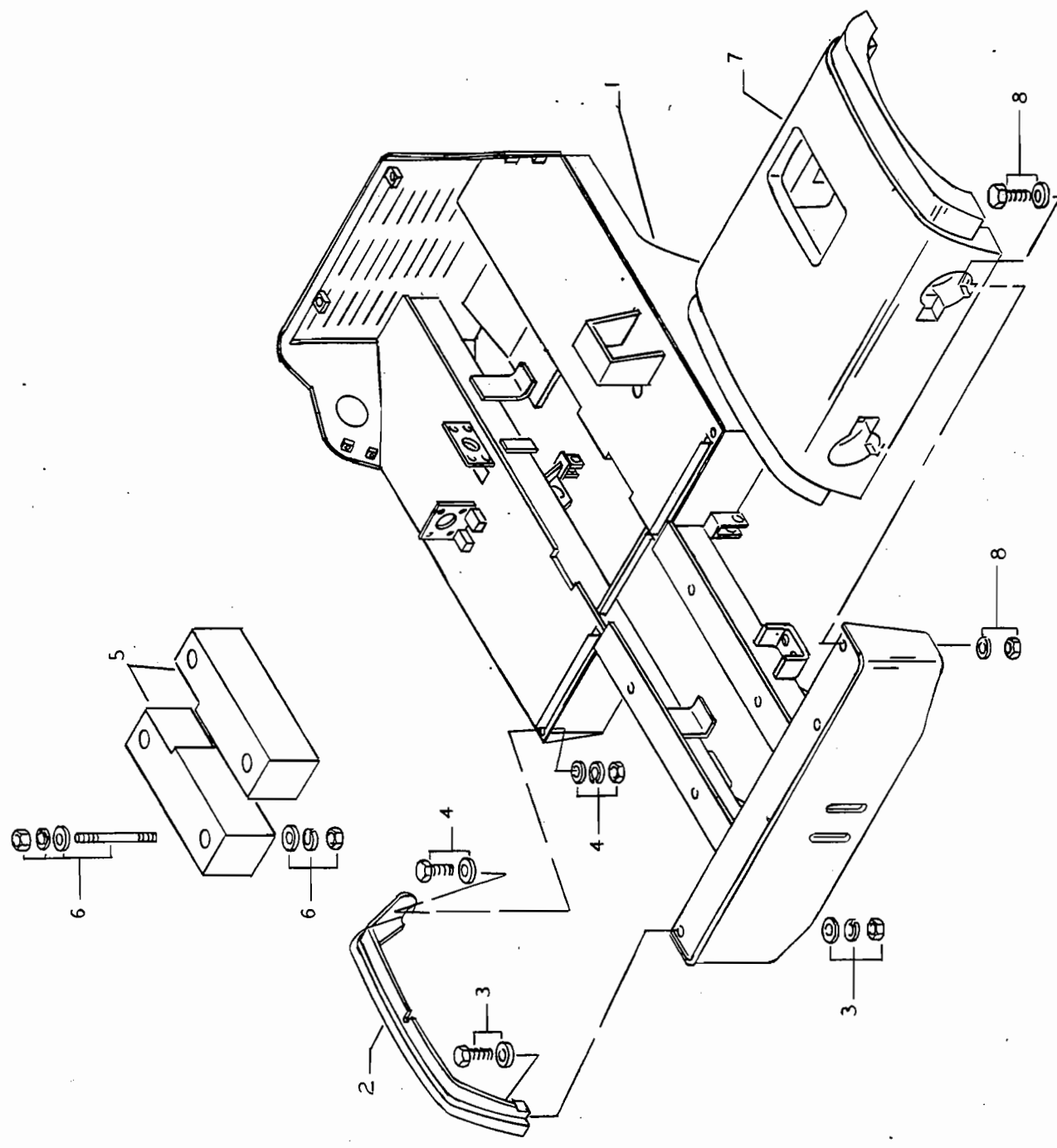
V

Vacuum Lines, Transmission.....111
Valve, Intake & Exhaust.....43
Valve, PCV.....77
Valve, Transmission Control.....97
Voltage Regulator.....149

W

Water Pump.....53
Wheel, Drive.....29 & 31
Wheel, Hand.....125
Wheel, Steer.....27
Wiring Harness.....161

**DID YOU CHANGE THE
OIL FILTER CARTRIDGE
WHEN YOU CHANGED
THE CRANKCASE OIL?**

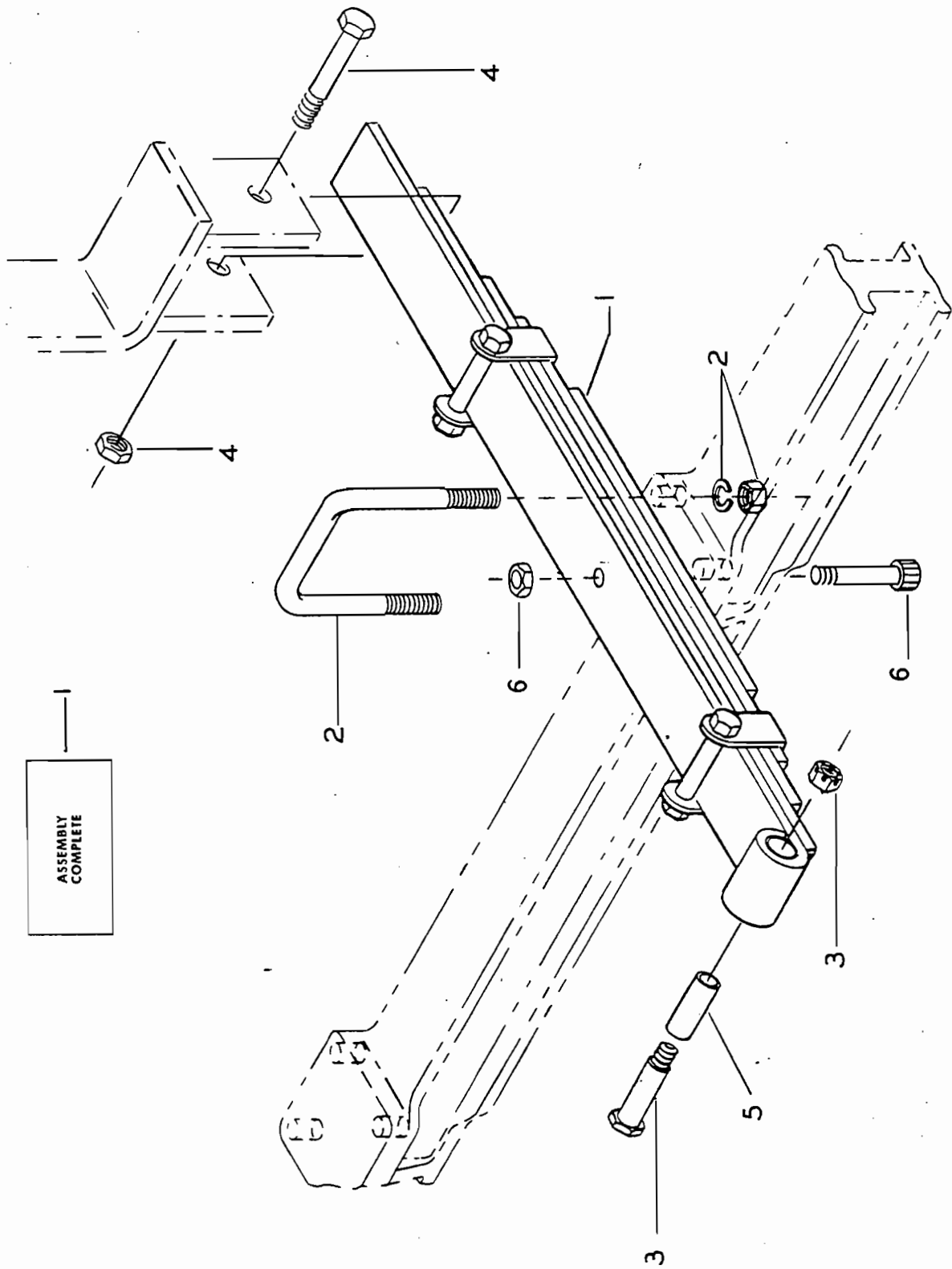


Item	Description	Read	CTAE-1-3250 thru Lot 3251		CTAE-1-3391 thru Lot 3765		CTAE-1-3815 thru Lot 4441		CTAE-1-4530 AND ABOVE	Item
			1799183 1799184	2351315 2351316	Not Used Not Used 2352946	2365108	2351315 2351316	Not Used Not Used 2352946		
1	Frame (Single Drive)	1	1799183	2351315	Not Used					1
	Frame (Dual Drive)	1	1799184	2351316	Not Used					
	Frame (Common)	1			2352946					
2	Counterweight, Fender (Common)	2	320161		Not Used					2
	Counterweight, Fender (Single Drive)	2			2353343					
	Counterweight, Fender (Dual Drive)	2			2350611					
3	Bolt, Fender Counterweight (rear)	2	1C856		1C836					3
	Washer	6	675889							
	Lockwasher	2	23E8							
	Nut	2	6108							
4	Bolt, Fender Counterweight (Front)	2	1C856		1C844					4
	Washer	6	675889							
	Lockwasher	2	23E8							
	Nut	2	6108							
5	Counterweight (Common)	1	327403		Not Used					5
	Counterweight (Single Drive 40, Dual Drive 50) 1/2" Thick	6			2352842					
	Counterweight (Single Drive 50) 1/2" Thick	5			2352842					
	Counterweight (Dual Drive 40)	7			2352842					
	1/2" Thick									
	Counterweight (Single Drive 40)	1			2352843					
	1 1/2" Thick	4			2352843					
	Counterweight (Single Drive 50)	3			2352843					
	1 1/2" Thick									
6	Stud, Counterweight to Frame	4	1300220		2352466			2365104		6
	Washer	4	25E22		1516473					
	Lockwasher	8	23E8		23E12					
	Nut	8	6108		61D12					
	Spacer	2	Not Used		2352467					
7	Counterweight, Auxiliary	1	320172		Not Used					7
8	Bolt, Auxiliary Counterweight	4	1C856							8
	Washer	4	675889							
	Lockwasher	4	23E8							
	Nut	4	6108							

FEB 80

3

X147



6963-P

STEER AXLE SUSPENSION

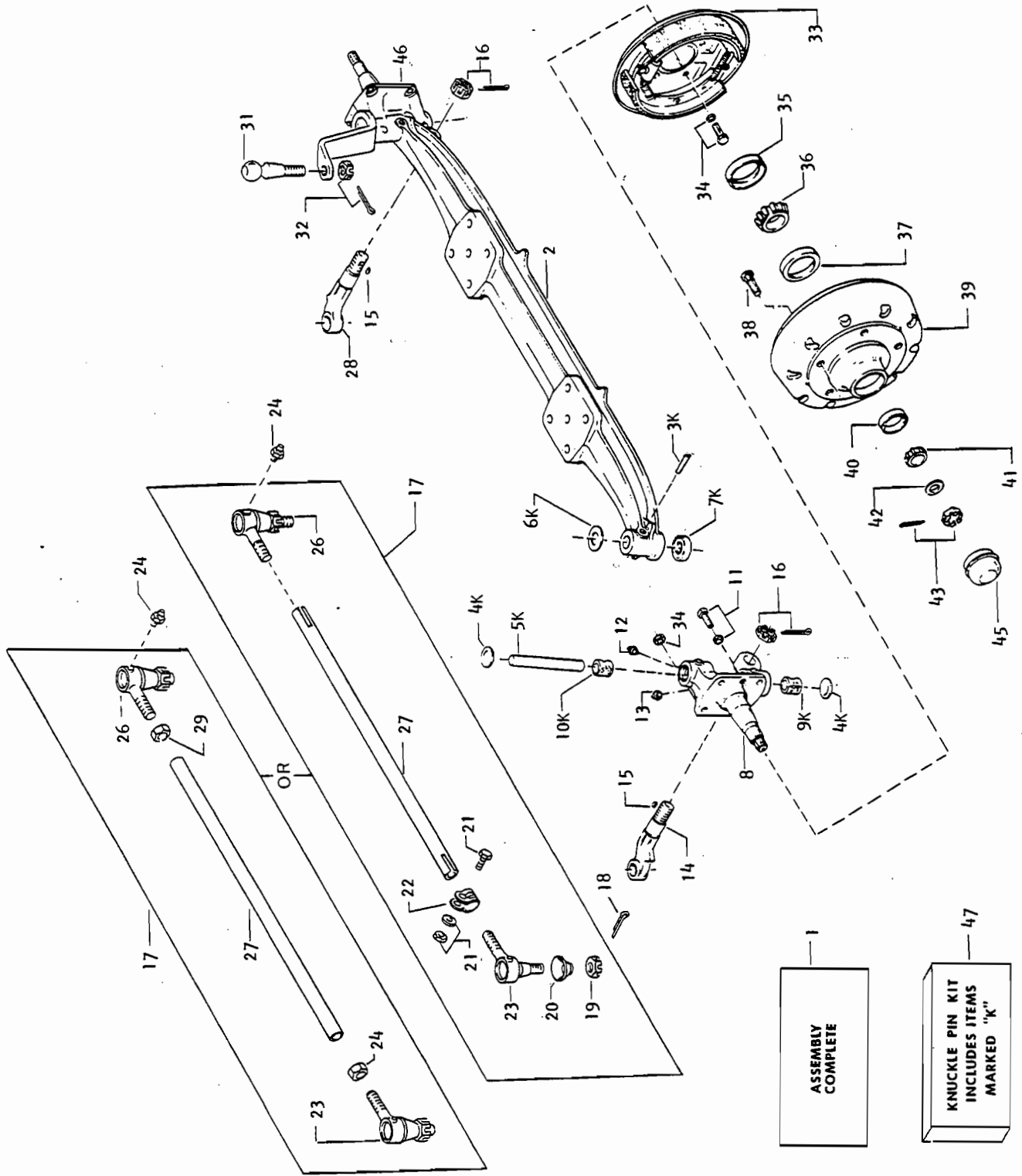
REV OCT 77

NOV 77

5

X147

Item	STEER AXLE SUSPENSION (USE ILLUSTRATION 6963-P)	Req'd	CTAE-1-3250 AND ABOVE	Item
Description				
1	Spring Assembly, Suspension (In-cludes Items 5 & 6)	2	1690072	1
2	"U" Bolt, Suspension Spring (Axle)	4	2358142	2
	Spacer Block	4	2358143	
	Lockwasher	8	23E8	
	Nut	8	62D8	
3	Bolt, Suspension Spring (Frame)	2	1C1064	3
	Nut	2	85D10	4
4	Bolt, Suspension Spring	2	1C1072	5
	Nut	2	85D10	6
5	Bushing, Spring	2	991017	
6	Bolt, Spring Assembly	2	11G636	
	Nut	2	61D6	



ASSEMBLY COMPLETE

KNUCKLE PIN KIT INCLUDES ITEMS MARKED "K"

6980-P

STEERING AXLE

REV AUG 79

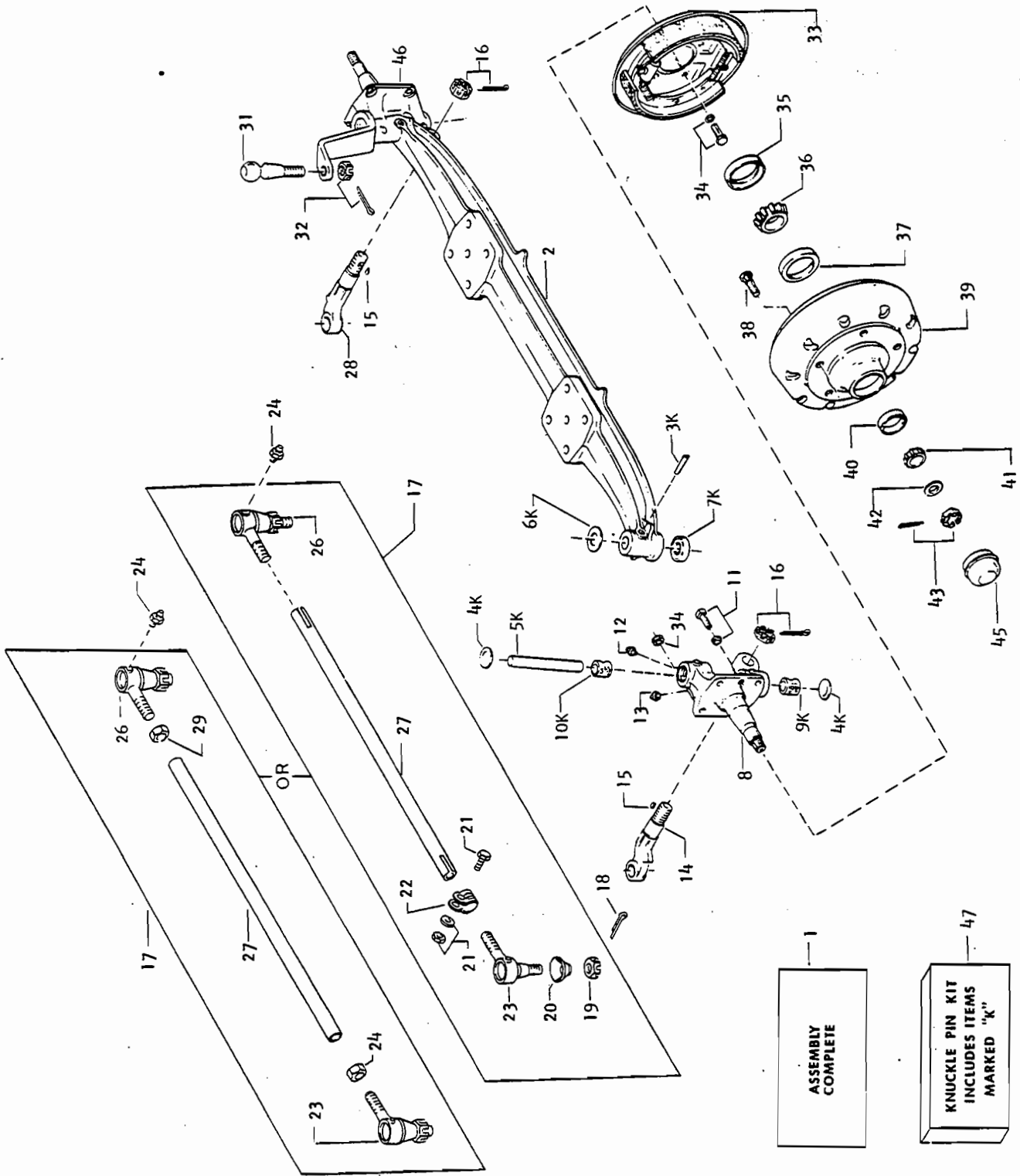
STEERING AXLE (USE ILLUSTRATION 6980-P)		Req'd	CTAE-1-3250 thru Lot 3815	CTAE-1-4140 AND ABOVE					Item
Description									
1	Axle Assembly, Steering	1	190727	193518					1
2	Axle, Steer	1	117593						2
3	Key (Light), Steer Axle Knuckle Draw Key (Heavy), Steer Axle Knuckle	AR	100733						3
4	Plug, Steer Axle Knuckle Pin	4	12F-101						4
5	Pin, Steer Axle Knuckle	2	102519						5
6	Shim, Steer Axle Knuckle	AR	100735						6
	Shim, Steer Axle Knuckle	AR	100736						
	Shim, Steer Axle Knuckle	AR	100737						
7	Bearing, Steer Axle Knuckle Thrust	2	100734						7
8	Knuckle, Steer Axle - RH	1	120148	129297					8
9	Bushing, Steer Axle Knuckle Pin - Lower	1	102514						9
10	Bushing, Steer Axle Knuckle Pin - Upper	1	102514						10
11	Bolt, Steer Axle Knuckle	2	13G-614C						11
	Nut, Steer Axle Knuckle								
12	Fitting, Steer Axle Knuckle-Upper	2	10H-25						12
13	Fitting, Steer Axle Knuckle-Lower	2	10H-25						13
14	Arm, RH Steering	1	117596						14
15	Key, Steering Arm	2	5J-606						15
16	Nut, Steering Arm	2	100738						16
	Cotter Pin	2	1F-424						
17	Rod Assembly, Steer Axle	1	117587						17
18	Cotter Pin, Tie Rod End	2	1F-414						18
19	Nut, Tie Rod End	2	103101						19
20	Cover, Tie Rod End Dust	2	111563						20
21	Bolt, Tie Rod Clamp	2	111379						21
	Lockwasher	2	3E-05						
	Nut	2	62D-05						
22	Clamp, Tie Rod	2	100744						22
23	End, Tie Rod	2	**9						23
24	Fitting, Tie Rod End	2	10H-25						24
25	Not Used								25
26	Rod End, Tie - RH	1	100745						26
	Rod End, Tie - LH	1	100746						
27	Rod, Tie	1	117588						27
28	Arm, LH Steer	1	117597						28
29	Not Used								29
31	Ball Stud, Steer Axle Steering Arm	1	110211						31

AUG 78

7

x147

**Not Sold - Use Item Listed



6980-P

STEERING AXLE

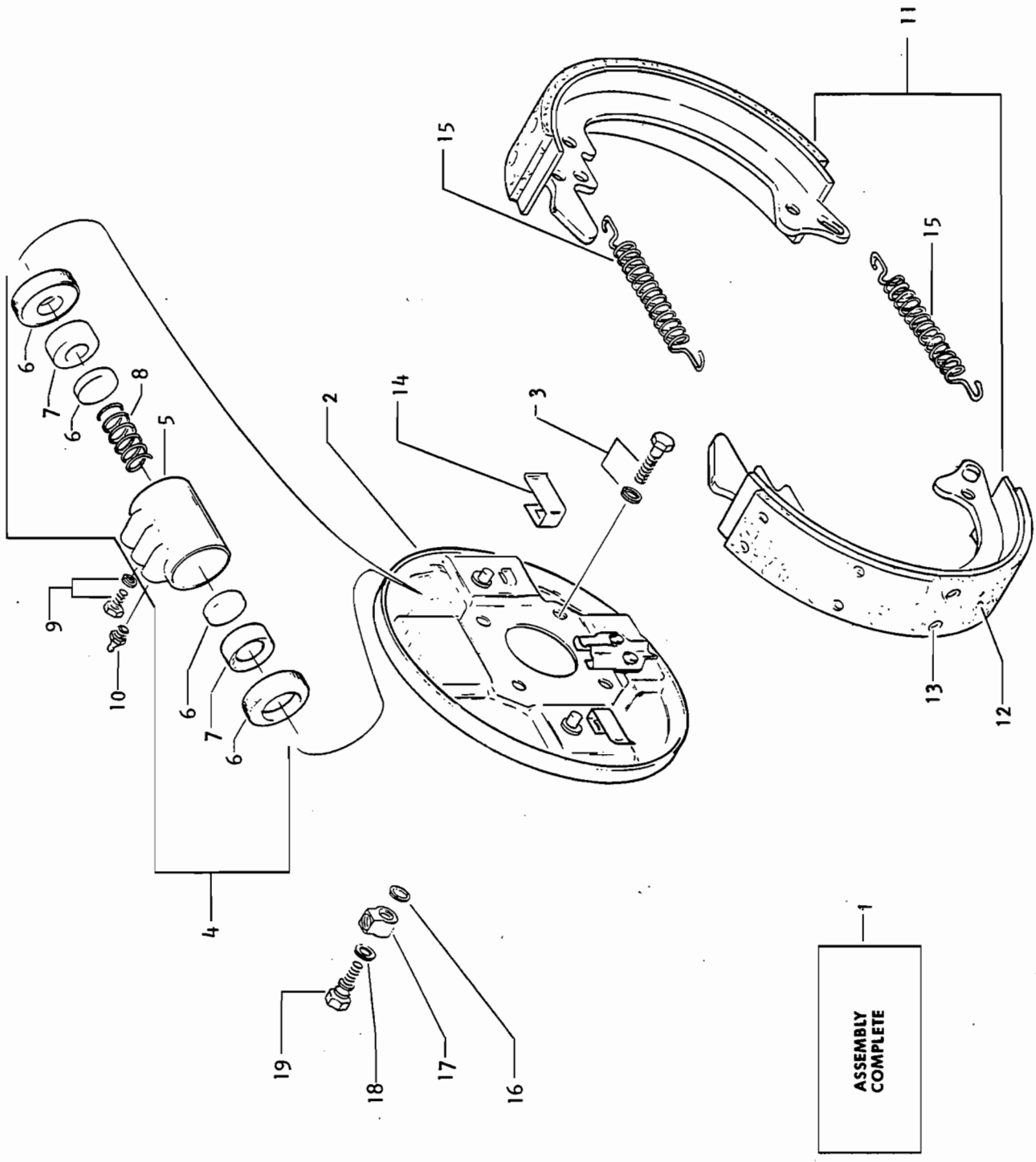
REV AUG 79

Item	CONT. STEERING AXLE (USE ILLUSTRATION 6980-P)		Req'd	CTAE-1-3250 thru Lot 3815	AND ABOVE CTAE-1-4140				Item
	Description								
32	Nut, Steer Axle Steering Arm Ball Stud	1	101342					32	
33	Cotter Pin	1	1F-416					33	
	Brake Assembly, Steer Wheel - RH	1	121061						
	Brake Assembly, Steer Wheel - LH	1	121060						
34	Bolt, Steer Wheel Brake Assembly-RH	4	120639					34	
	Washer	8	119471						
	Nut	4	64D-07						
	Bolt, Steer Wheel Brake Assembly-LH	4	120639						
	Washer	8	119471						
	Nut	4	64D-07						
35	Seal, Steer Axle Hub	2	117598					35	
36	Cone, Steer Axle Hub Inner Bearing	2	713023					36	
37	Cup, Steer Axle Hub Inner Bearing	1	713024					37	
38	Stud, Steer Wheel	10	104928					38	
39	Hub, Steer Axle	2	**44					39	
40	Cup, Steer Axle Hub Outer Bearing	1	755960					40	
41	Cone, Steer Axle Hub Outer Bearing	2	1300207					41	
42	Washer, Steer Axle Hub Bearing Thrust	2	117594					42	
43	Nut, Steer Axle Hub Bearing Knuckle	2	4D-10					43	
44	Cotter Pin	2	1F-420			1F-416		44	
45	Hub & Cup, Steer Axle	2	120156					45	
46	Cap, Steer Axle Hub	2	117595					46	
47	Knuckle, Steer Axle - LH	1	120150			129298		47	
	Knuckle Pin Kit	1	1811350						
							**Not Sold - Use Item Listed		

JUL 79

9

x147



OCT 76

BRAKE ASSEMBLY

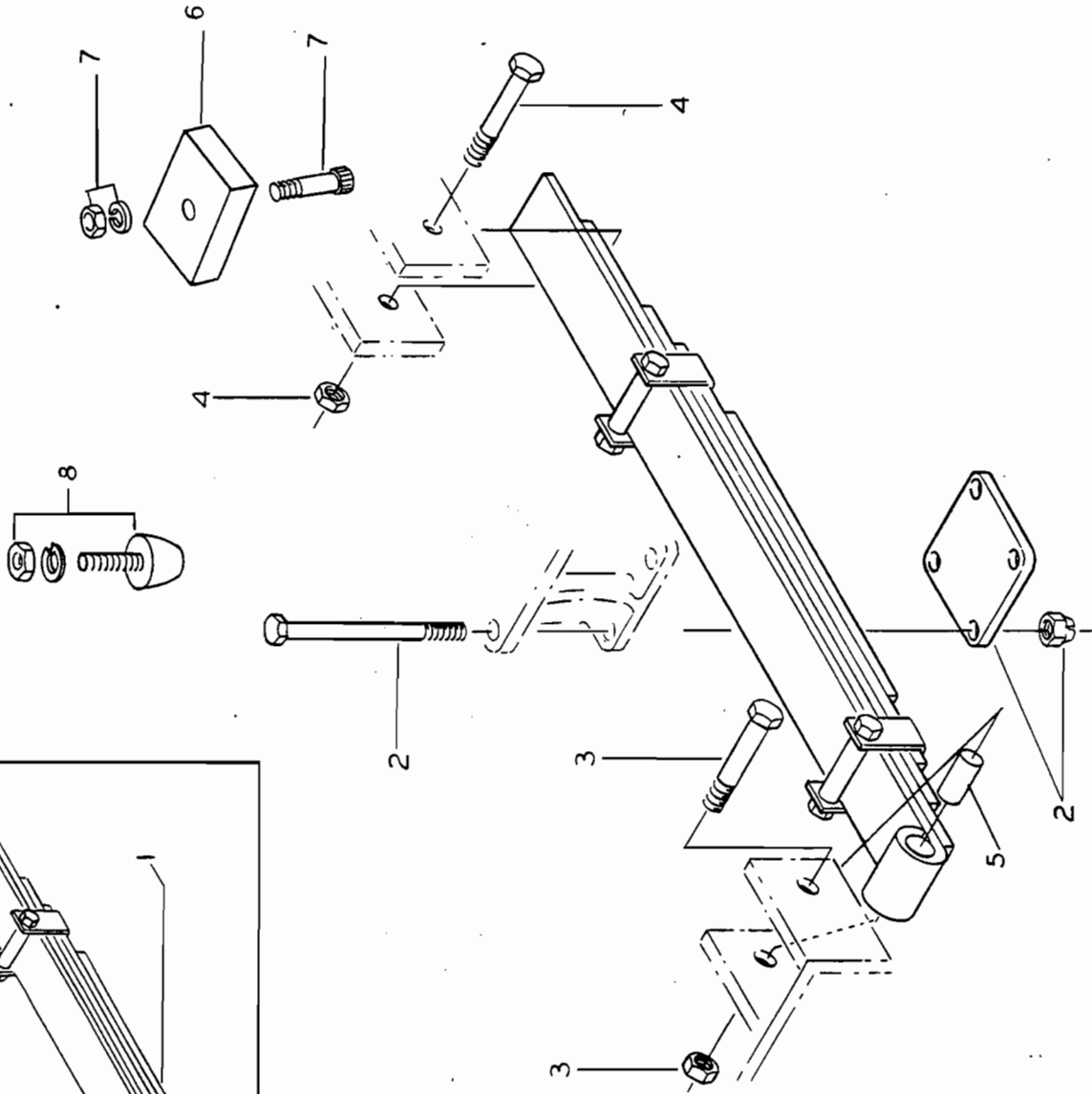
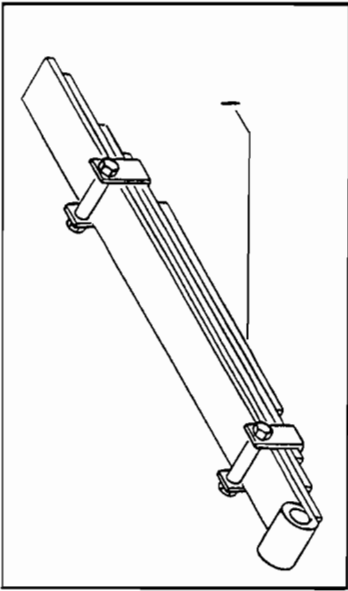
6981-P

OCT 76

11

X147

Item	Description	Req'd	CTAE-1-3250 AND ABOVE	Item
1	Brake Assembly, Steer Wheel (RH)	1	121061	1
2	Brake Assembly, Steer Wheel (LH)	1	121060	2
3	Plate, Brake Backing	1	840013	3
	Bolt, Brake Assembly	4	18C-716	4
	Washer	8	119471	8
	Nut	4	64D-07	4
	Bolt	4	18C-716	4
	Washer	8	119471	8
	Nut	4	64D-07	4
4	Cylinder Assembly, Brake (RH)	1	120643	4
	Cylinder Assembly, Brake (LH)	1	120642	
5	Body, Wheel Cylinder	1	**4	5
6	Repair Kit, Brake Cylinder	1	853174	6
7	Piston, Brake Cylinder	2	**4	7
8	Spring, Brake Cylinder Piston	1	**4	8
9	Screw, Wheel Cylinder	2	17C-406CR	9
	Lockwasher	2	9E-04	
10	Screw, Brake Cylinder Bleeder	1	120447	10
11	Shoe & Lining Set, Brake (RH & LH)	1	840027	11
12	Lining Set, Brake (RH & LH)	1	120439	12
13	Rivet, Brake Shoe Lining	AR	**11/12	13
14	Spring, Clip, Brake Shoe Guide	2	120436	14
15	Anti-Rattle Spring (Cylinder End), Brake Shoe Return	1	120438	15
	Spring (Anchor End), Brake Shoe Return	1	120437	
16	Not Used			16
17	Not Used			17
18	Not Used			18
19	Not Used			19



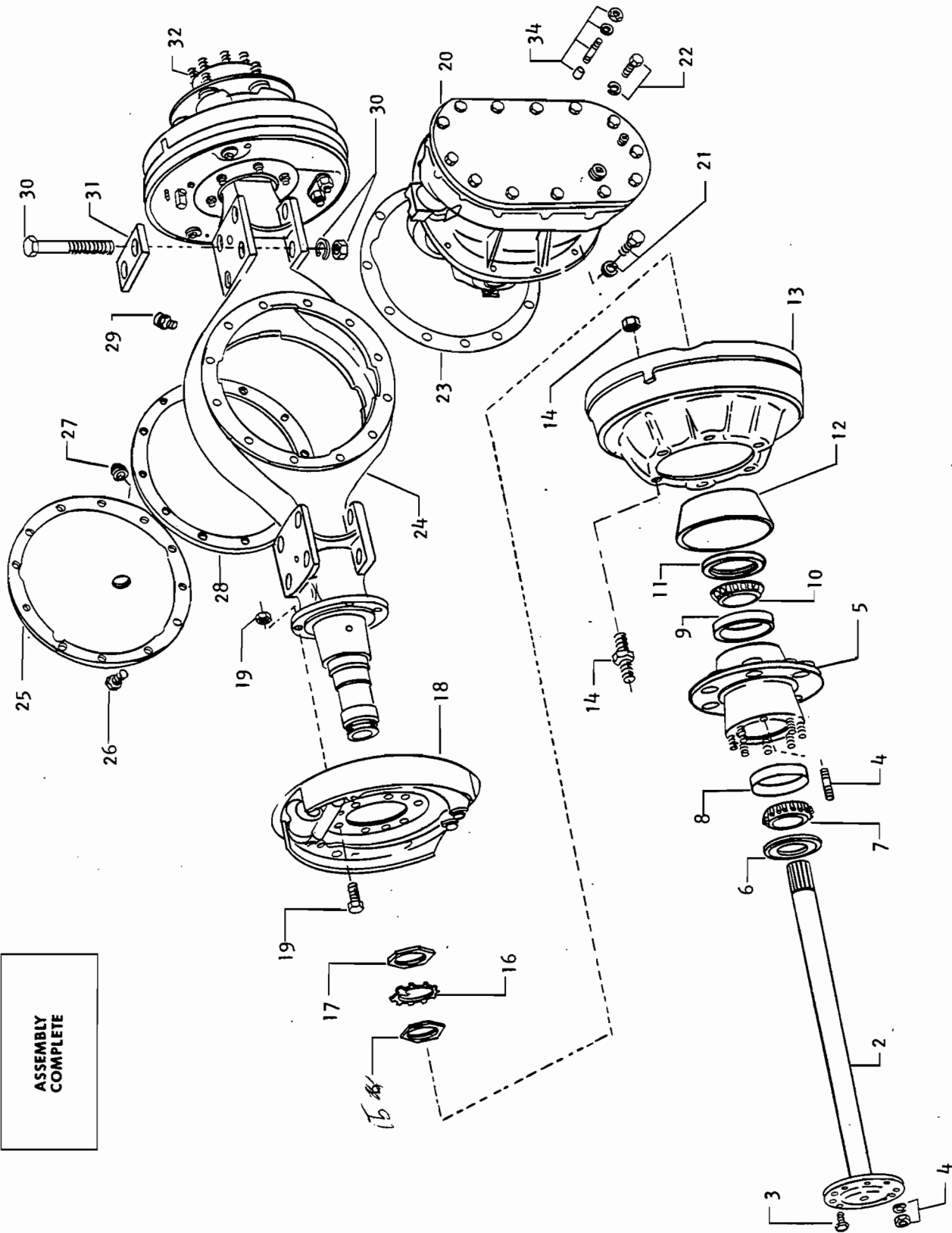
Item	Description	Req'd	CTAE 20, 30-1-3250 thru Lot 3251	CTAE 40, 50-1-3250 thru Lot 3251	CTAE 1-3391 thru 3765	CTAE 1-3815 thru Lot 3815	CTAE 1-4140 AND ABOVE	Item
1	Spring Assembly, Suspension (Includes Item 5) Bolt, Spring Locating Nut	2	1690136	1701939				1
2	Plate, Suspension Spring (Axle) Bolt Nut	2 2 2	736636 61D6	736644				2
3	Bolt, Suspension Spring (Frame Front)	8	1697343	16C1244				3
4	Nut	8	16C12136					4
5	Bolt, Suspension Spring (Frame Rear)	2	86D12					5
6	Nut	2	1C972					6
7	Bushing, Suspension Spring Shim, Suspension Spring (Rear)	2	85D9 991015 1798797		Not Used 1798797			7
8	Shim, Suspension Spring (Frame Rear - Single Drive) Shim, Suspension Spring (Frame Rear) Bolt, Shim (Frame Rear) Lockwasher Nut Bolt, Shim (Frame Rear - Single Drive) Lockwasher Nut Bumper, Overload Lockwasher Nut	2 2 2 2 2 2 2 2 2 2 2	Not Used Not Used Not Used 93G828 23E8 61D8 Not Used Not Used 1617336 6E6 8D6		2353722 2353732	1C832 23E8 61D8 93G828	Not Used Not Used Not Used 23E8 61D8	8

AUG 78

13

X-147

ASSEMBLY COMPLETE

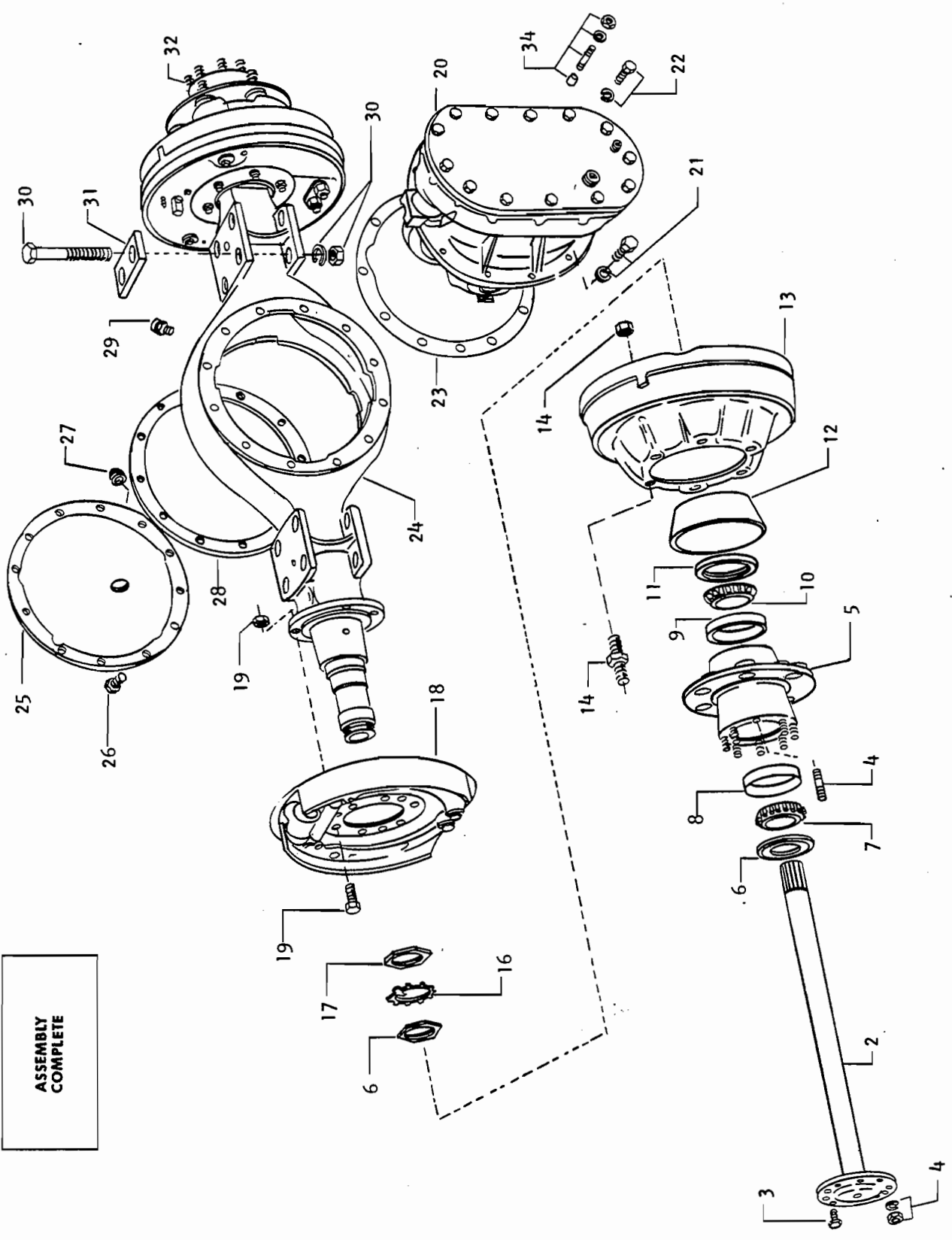


OCT 76

DRIVE AXLE

6965-P

1
ASSEMBLY COMPLETE



OCT 76

DRIVE AXLE

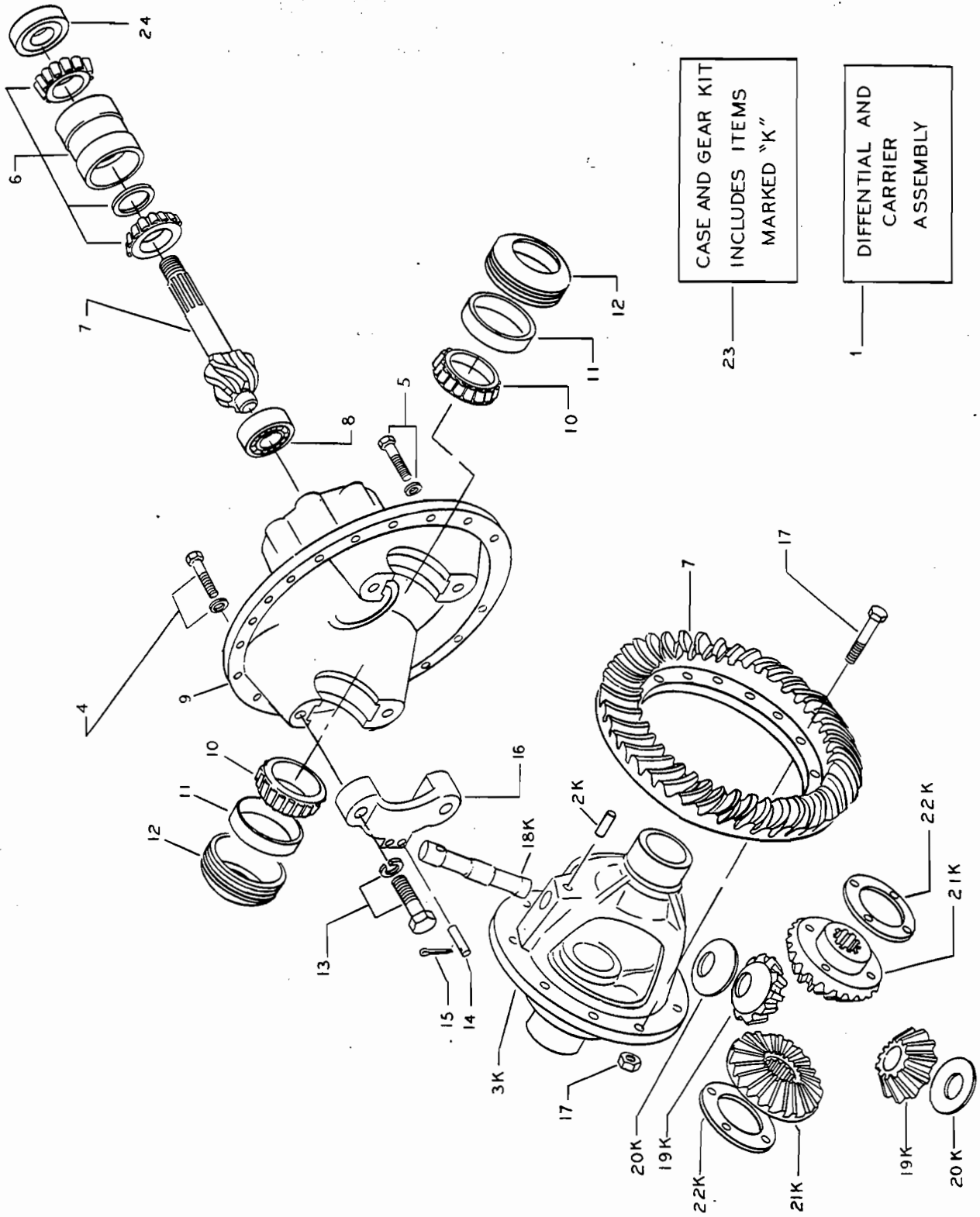
6965-P

OCT 76

17

X147

Item	Description	Req'd	CTAE 20,30 - 1 3250 thru Lot 3251	CTAE 40, 50 - 1 3250 thru Lot 3251	CTAE-1-3391 AND ABOVE	Item
32	Stud, Drive Wheel Brake Drum to Hub (LH)	6	110064			32
34	Stud, Axle Housing Dowel Washer Nut	12	112277		120546	34
		3	103216			
		12	112278			
		12	64D07			



6627-P

DIFFERENTIAL AND CARRIER

DEC 74

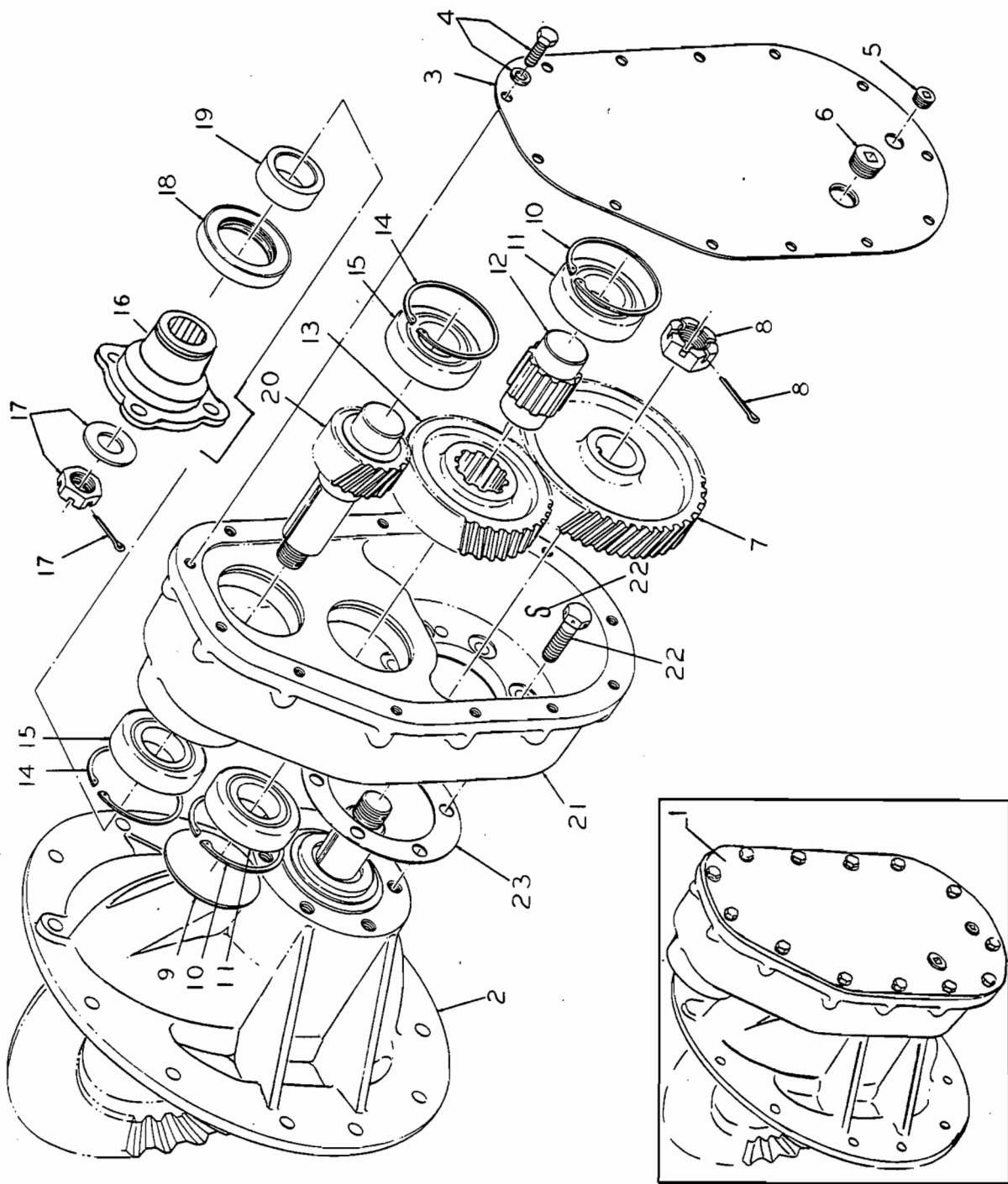
OCT 76

19

X147

Item	Description	Req'd	CTAE-1-3250 thru Lot 3251		CTAE-1-3391 AND ABOVE		Item
1	Differential & Carrier Assembly	1	113100				1
2	Lock Pin, Differential Side Pinion	1	666364				2
3	Body, Differential	2	tt				3
4	Bolt, Thick Flange to Axle Housing Lockwasher	2	17C-724CR				4
5	Bolt, Thin Flange to Axle Housing Lockwasher	7	112278				5
6	Bearing Assembly, Differential Pinion Outer	7	17C-720CR				6
7	Ring & Pinion Set, Differential	1	815423				7
8	Bearing, Differential Pinion Inner	1	116968		122443		8
9	Carrier, Differential Bearing	1	111437				9
10	Cone, Differential Bearing	2	113124				10
11	Cup, Differential Bearing	2	648334				11
12	Nut, Differential Bearing Adjusting	2	667279				12
13	Bolt, Differential Carrier Cap Washer	4	101410				13
14	Lockpin, Differential Bearing Adjusting Nut	4	3C-1040C		1C1040C		14
15	Cotter Pin, Differential Bearing	2	104549		26E10		15
16	Adjusting Nut Lock	2	101411				16
17	Cap, Differential Bearing Carrier Bolt, Differential Case to Ring Gear	2	IF-428				17
18	Nut	2	**24				18
19	Pin, Differential Side Pinion	12	101424				19
20	Gear, Differential Side Pinion Washer, Differential Side Pinion Gear Thrust	2	109389				20
21	Gear, Differential Side	2	101401				21
22	Washer, Differential Side Gear Thrust	2	101397		125234		22
23	Case & Gear Kit, Differential	1	101398				23
24	Spacer, Pinion Outer Bearing	1	101400				24

**Not Sold - Use Item Listed
ttSold Only By Special Arrangement

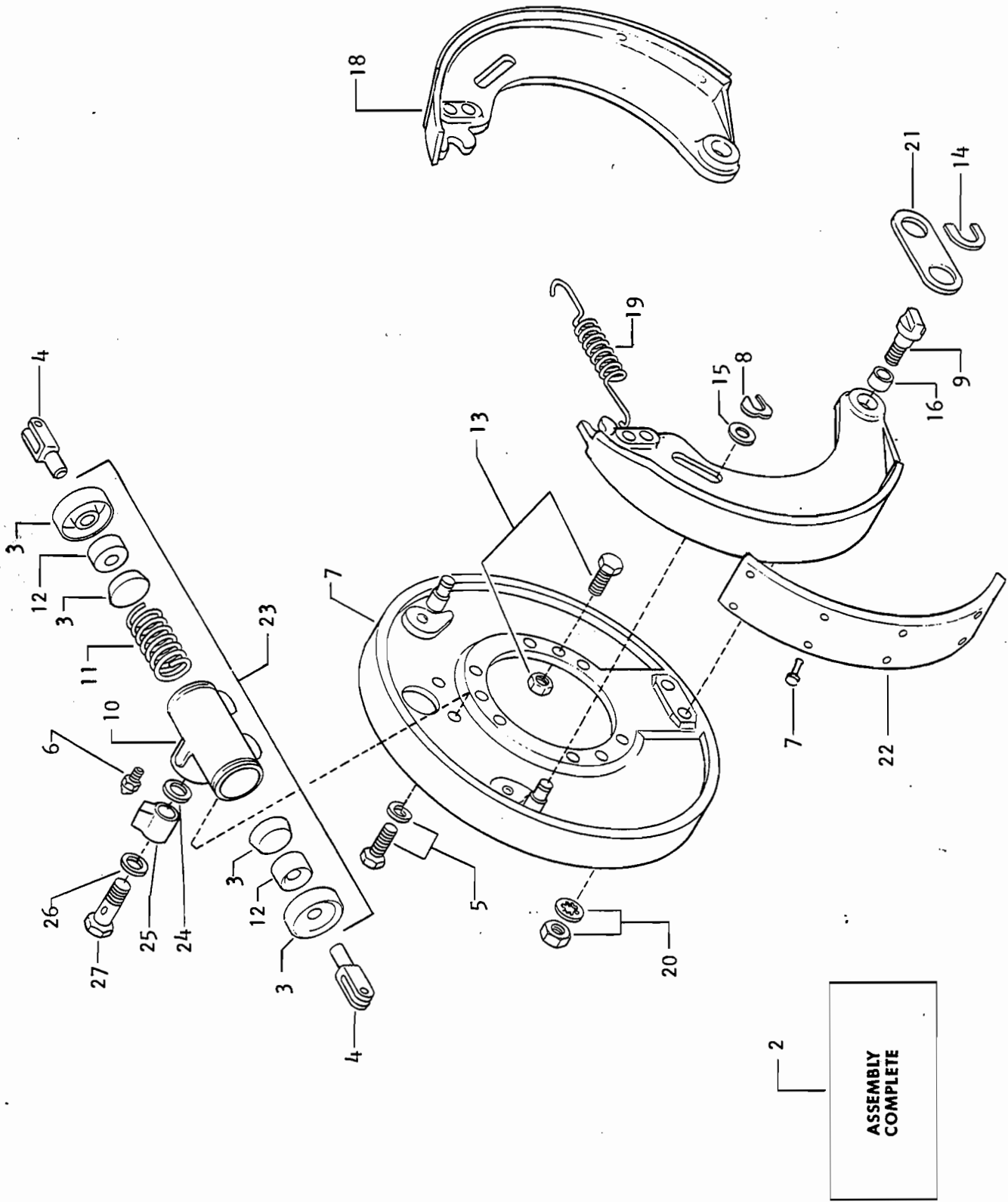


6628-P

TRANSFER CASE

NOV 74

Item	Description (USE ILLUSTRATION 6628-P)	Q'ty	Part No.	Lot	CTAE-1-3250 thru CTAE-1-3815 AND ABOVE	Item	Date	
							Month	Year
1	Carrier & Gear Case Assembly	1	120139		CTAE-1-3250 thru CTAE-1-3815 AND ABOVE	1	OCT	77
2	Differential & Carrier Assembly	1	113100		129100	2		
3	Cover, Gear Case	1	111784			3		
4	Bolt, Gear Case Cover	13	16616			4		
5	Lockwasher	13	23E6			5		
6	Plug, Gear Case Drain	1	16F6			6		
7	Plug, Oil Level	1	16F12			7		
8	Gear, Output	1	111780			8		
9	Nut, Output Gear to Pinion	1	100675			9		
10	Cotter Pin	1	1F424			10		
11	Plug, Gear Case	1	201252			11		
12	Snap Ring, Idler Shaft Bearing	2	102384			12		
13	Bearing, Idler Shaft	2	658019			13		
14	Shaft, Idler	1	111783			14		
15	Gear, Idler	1	111782			15		
16	Snap Ring, Input Pinion Shaft Bearing	2	102384			16		
17	Bearing, Input Pinion Shaft	2	658019			17		
18	Flange, Input Shaft Companion	1	120140		129101	18		
19	Washer, Companion Flange	1	111787			19		
20	Nut	1	102430			20		
21	Cotter Pin	1	1F424			21		
22	Oil Seal, Input Shaft	1	111785			22		
23	Spacer, Companion Flange	1	111788			23		
	Gear, Input Pinion	1	111781					
	Case, Gear	1	111779					
	Bolt, Housing to Differential Carrier	6	100593					
	Gasket, Gear Case to Differential Carrier (.010" Thick)	AR	102359					
	Gasket, Gear Case to Differential Carrier (.005" Thick)	AR	102360					



6997-P

BRAKE ASSEMBLY

NOV 76

1253-Z DRIVE WHEEL BRAKE (USE ILLUSTRATION 6997-P)		Req'd	CTAE 20, 30 -1- 3250 Thru Lot 3251	CTAE 40, 50 -1- 3250 Thru Lot 3251	CTAE 60, 70 -1- 3250 Thru Lot 3251	CTAE 80, 90 -1- 3250 Thru Lot 3251	CTAE 100, 110 -1- 3250 Thru Lot 3251	CTAE 120, 130 -1- 3250 Thru Lot 3251	CTAE 140, 150 -1- 3250 Thru Lot 3251	CTAE 160, 170 -1- 3250 Thru Lot 3251	CTAE 180, 190 -1- 3250 Thru Lot 3251	CTAE 200, 210 -1- 3250 Thru Lot 3251	CTAE 220, 230 -1- 3250 Thru Lot 3251	CTAE 240, 250 -1- 3250 Thru Lot 3251	CTAE 260, 270 -1- 3250 Thru Lot 3251	Item
Description																
2	Brake Assembly, Drive Wheel	1	109626	117660												2
3	Repair Kit, Brake Cylinder	1	851621	853405												3
4	Push Rod, Brake Cylinder	2	851617													4
5	Bolt, Wheel Cylinder	2	1C-510													5
6	Lockwasher	2	6E-05													6
7	Screw, Brake Cylinder Bleeder	1	208805													7
8	Rivet, Brake Shoe Lining	AR	**18													8
9	Cotter Pin, Brake Shoe Guide Pin	2	100878													9
10	Pin, Brake Shoe Anchor	2	101920													10
11	Body, Wheel Cylinder	1	**23													11
12	Spring, Brake Cylinder Piston	1	**23													12
13	Piston, Brake Cylinder	2	**23													13
14	Bolt, Brake Assembly	6	103375													14
15	Nut	6	21D-06													15
16	Ring, Brake Shoe Anchor Pin	2	101332													16
17	Washer, Brake Shoe Guide Pin	2	102322													17
18	Bushing, Brake Shoe	2	**18													18
19	Plate, Brake Backing	1	tt													19
20	Shoe & Lining Set, Brake (LH & RH)	1	1810116	815843												20
21	Spring, Brake Shoe Return	1	101337													21
22	Lockwasher, Brake Shoe Anchor Pin	2	7E-10													22
23	Nut	2	2D-10													23
24	Not Used (Refer to Item 18)															24
25	Cylinder Assembly, Brake	1	860439	104466												25
26	Gasket, Wheel Cylinder Fitting	1	613750													26
27	Fitting, Wheel Cylinder Inlet	1	620235													27
28	Gasket, Wheel Cylinder Fitting Bolt	1	620238													28
29	Bolt, Wheel Cylinder Fitting	1	692722													29

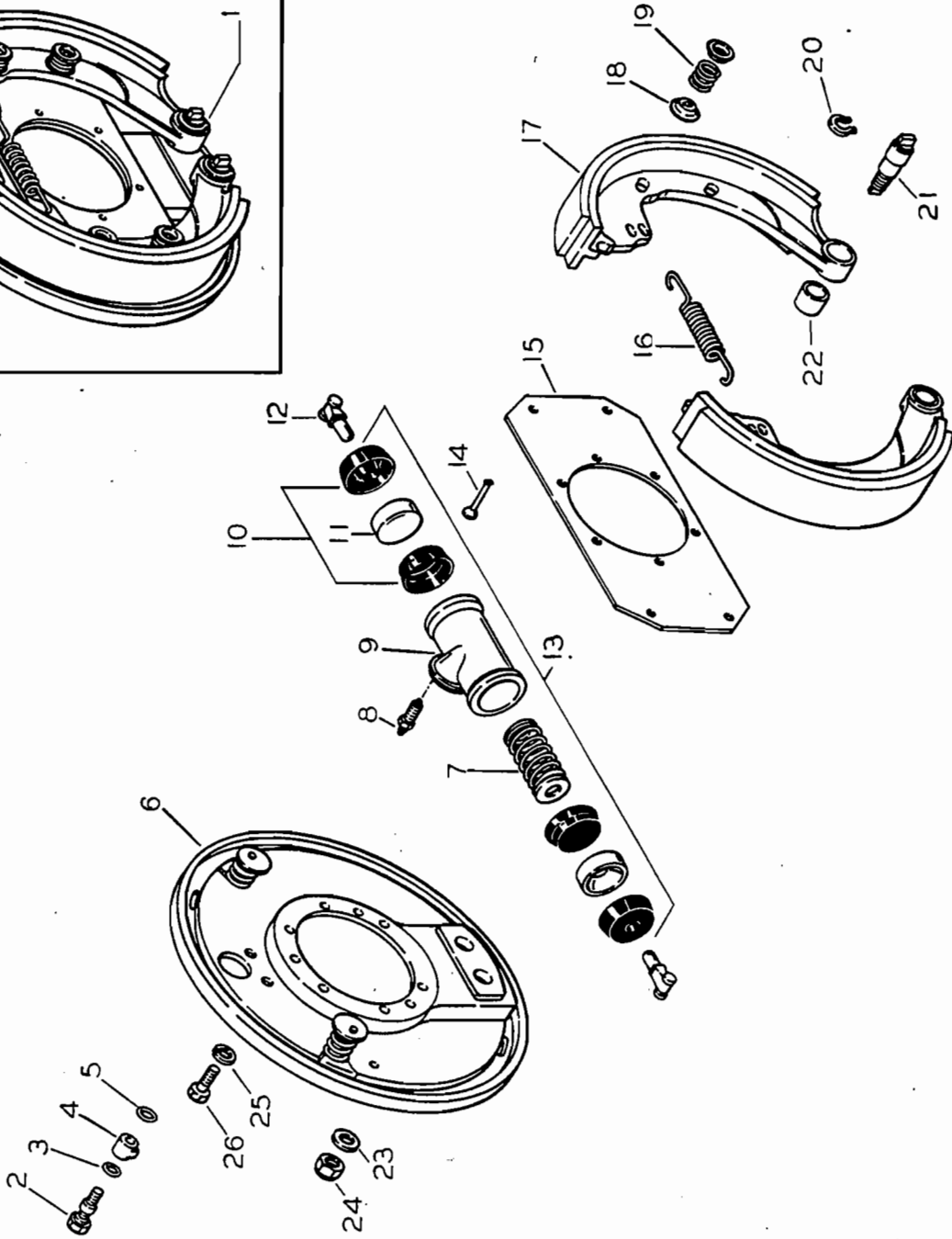
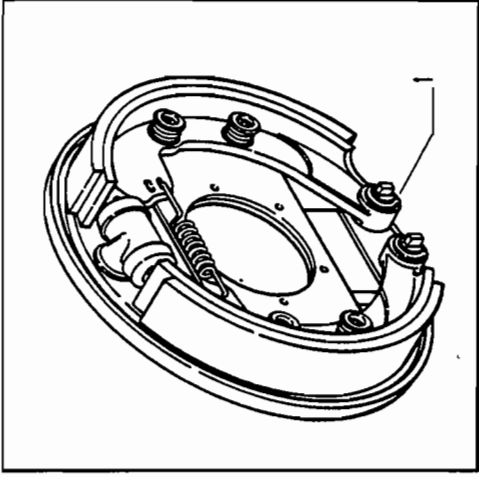
OCT 76

23

X147

tt Sold Only By Special Arrangement

**Not Sold - Use Item Listed



6730-P

WHEEL BRAKE

APR 75

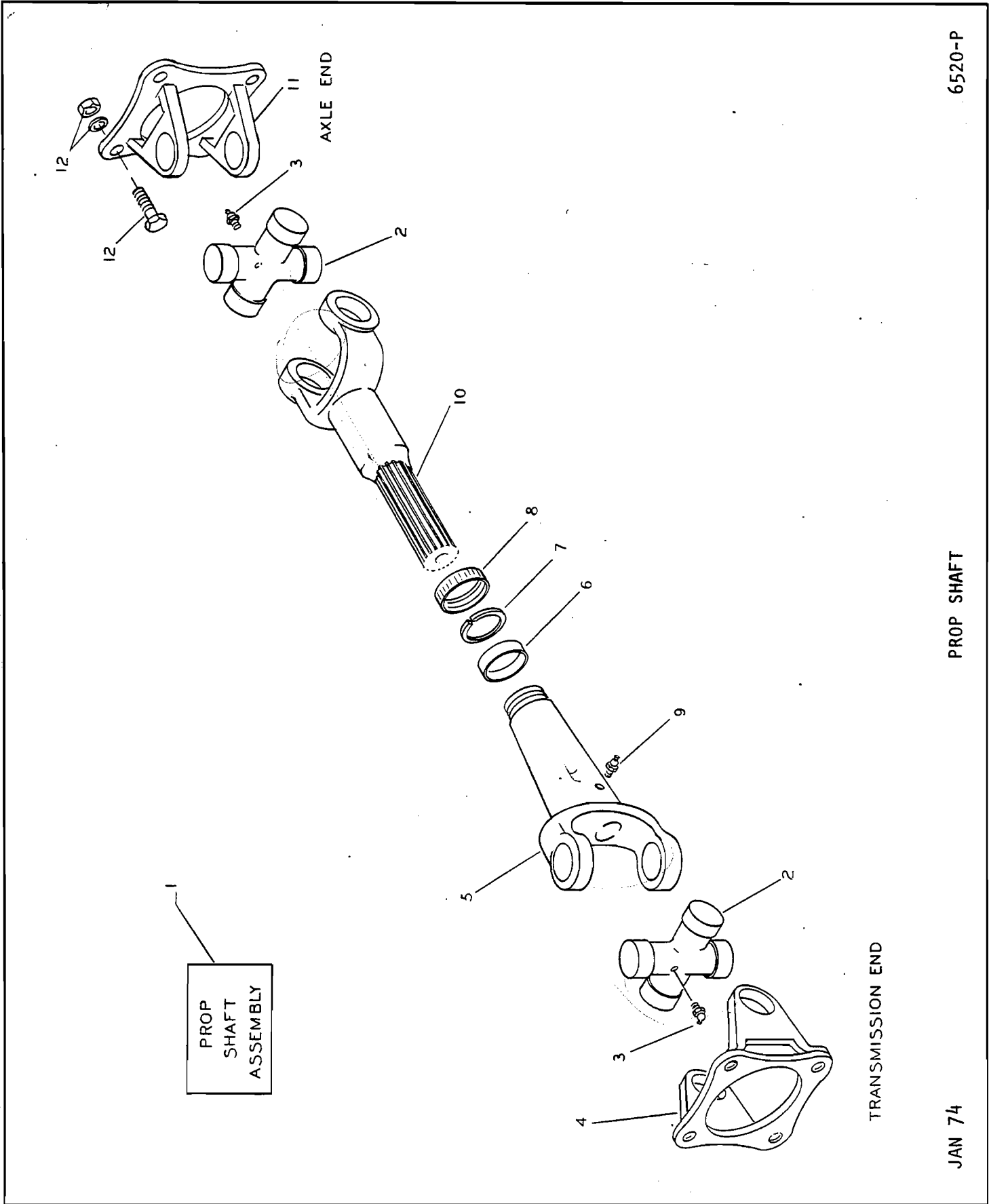
Item	Description (USE ILLUSTRATION 6730-P)	Req'd	CTAE-1-3391 AND ABOVE				Item
1	Brake Assembly, Drive Wheel	1	127182				1
2	Bolt, Wheel Cylinder Fitting	1	692722				2
3	Gasket, Wheel Cylinder Fitting Bolt	1	620238				3
4	Fitting, Wheel Cylinder Inlet	1	620235				4
5	Gasket, Wheel Cylinder Fitting	1	613750				5
6	Plate, Brake Backing	1	127173				6
7	Spring, Brake Cylinder Piston	1	853400				7
8	Screw, Brake Cylinder Bleeder	1	208805				8
9	Body, Wheel Cylinder	1	**13				9
10	Repair Kit, Brake Cylinder	1	843405				10
11	Piston, Brake Cylinder	2	**13				11
12	Push Rod, Brake Cylinder	2	851671				12
13	Cylinder Assembly, Brake	1	124214				13
14	Pin, Retaining Spring	4	127176				14
15	Dampening Plage	1	127178				15
16	Spring, Brake Shoe Return	1	106216				16
17	Brake Shoe & Lining (Axle Set - Std.)	1	1810937				17
18	Brake Shoe & Lin. (Axle Set-Oversize)	1	1811368				18
19	Cup, Retaining Spring Cup	8	127175				19
20	Retaining Spring, Brake Shoe	4	127177				20
21	Ring, Brake Shoe Anchor Pin	2	101332				21
22	Pin, Brake Shoe Anchor	2	101920				22
23	Bushing, Brake Shoe	2	101328				23
24	Lockwasher, Brake Shoe Anchor Pin	2	7E-10				24
25	Nut, Brake Shoe Anchor Pin	2	62D-10				25
26	Lockwasher, Wheel Cylinder	2	6E-05				26
	Capscrew, Wheel Cylinder	2	1C-510H				

**Not Sold - Use Item Listed

FEB 80

23A

X147



OCT 77

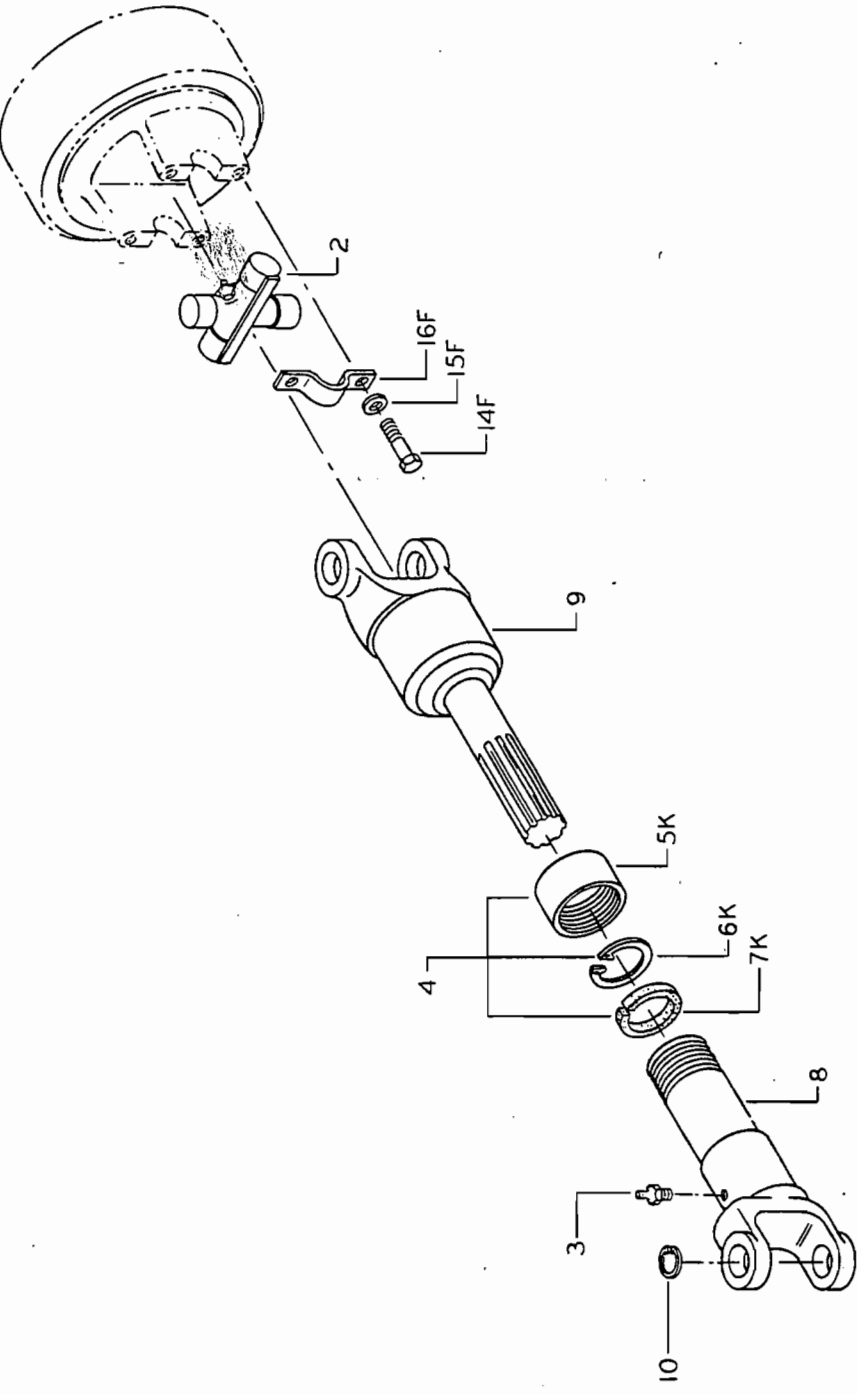
25

X-147

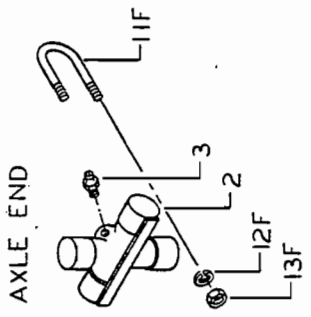
Item	Description	Req'd	CTAE-1-3250 thru		CTAE-100-3251 thru		Item
			2313524	895600	2330472	998267	
1	Shaft Assembly, Prop	1			2330472		1
2	Repair Kit, Center Cross (Includes Item 3)	2	895600		998267		2
3	Fitting, Lubrication	2	15H15		Not Used		3
4	Flange, Prop Shaft (Transmission End)	1	863316		998268		4
5	Slip Yoke, Prop Shaft (Includes Item 8)	1	993984		998269		5
6	Seal, Dust Cap	1	952520		865667		6
7	Seal, Dust Cap	1	895603		865666		7
8	Dust Cap, Slip Yoke (Includes Item 6 & 7)	1	895602		998270		8
9	Fitting, Lubrication	1	10H25		10H35		9
10	Yoke, Tube & Splines	1	993985		998271		10
11	Flange, Prop Shaft (Axle End)	1	863316		998268		11
12	Bolt, Flange Mounting (Axle End)	4	618831				12
	Lockwasher	4	9E07				
	Nut	4	62D07J				

CTAE-1-3250 thru
CTAE-100-3251 thru
CTAE-101-3251 thru
LOT 3765

TRANSMISSION END



- 1 ASSEMBLY COMPLETE
DOES NOT INCLUDE
ITEMS MARKED "F"
- 4 SEAL KIT
INCLUDES ITEMS
MARKED "K"



AXLE END

JAN 78

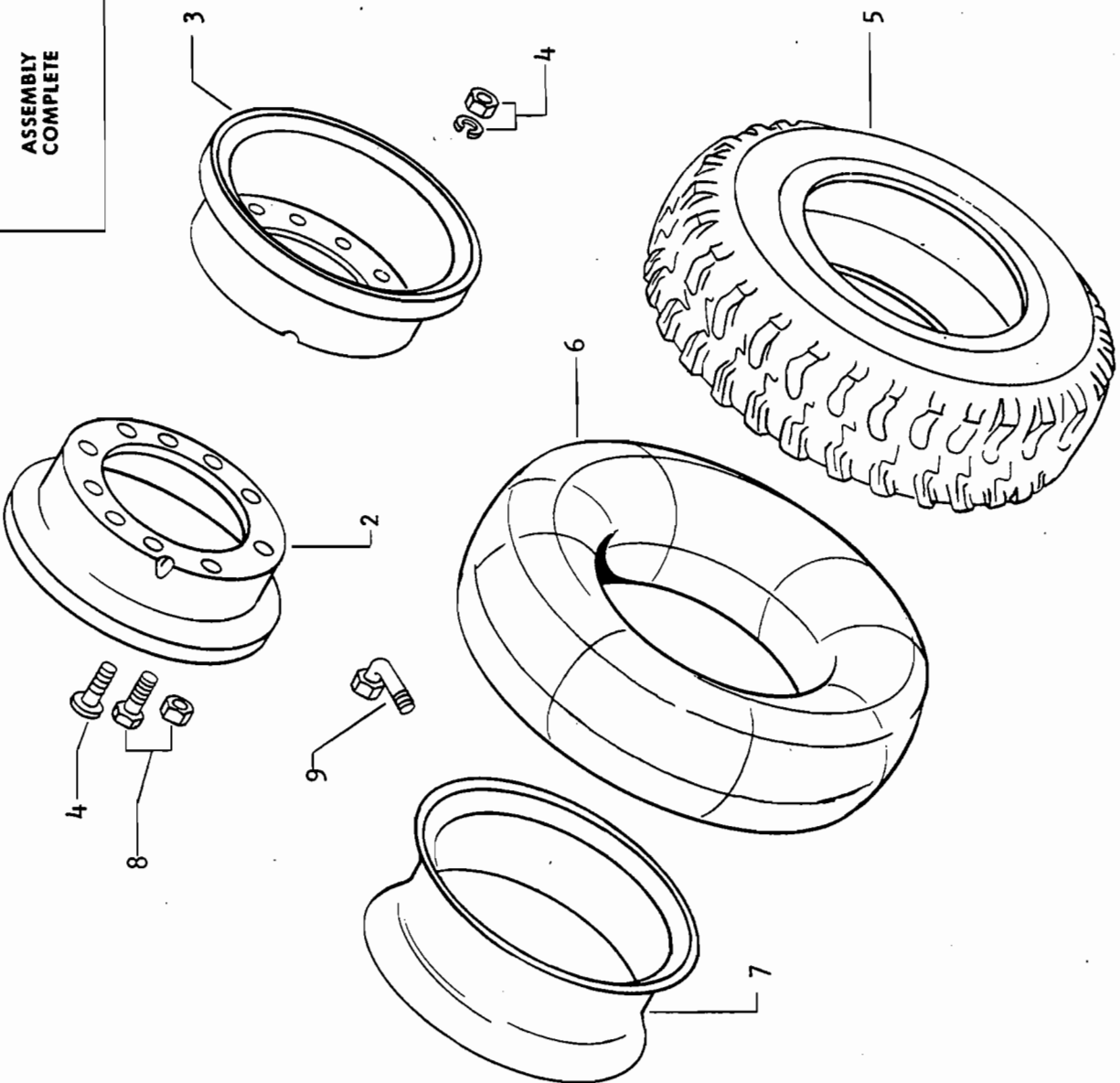
25.1

X-147

Item	PROP SHAFT (USE ILLUSTRATION 7124-P)	Req'd	CTAE-1-3815 AND ABOVE	Item
Description				
1	Shaft Assembly, Prop	1	2352944	1
2	Repair Kit, Center Cross (Includes Item #3)	2	861452	2
3	Fitting, Lubrication	3	10H35	3
4	Seal Kit, Slip Yoke	1	999517	4
5	Dust Cap, Slip Yoke	1	855849	5
6	Washer, Slip Yoke	1	855850	6
7	Cork Washer, Slip Yoke	1	855950	7
8	Slip Yoke (Includes Item 4)	1	855847	8
9	Yoke, Tube & Splines Assembly	1	999518	9
10	Retainer, Repair Kit	-	**2	10
11	"U" Bolt, Prop Shaft & Center Cross	2	954529	11
12	Lockwasher, Center Cross "U" Bolt	4	23E6	12
13	Nut, Center, Cross "U" Bolt	4	62D6	13
14	Capscrew, Center Cross to Trans.	4	999554	14
15	Lockwasher, Center Cross to Trans.	4	23E5	15
16	Cap, Prop Shaft Center Cross	2	999524	16

**NOT SOLD SEPARATELY - USE ITEM # LISTED

1
ASSEMBLY COMPLETE



6966-P

STEER WHEEL AND TIRE

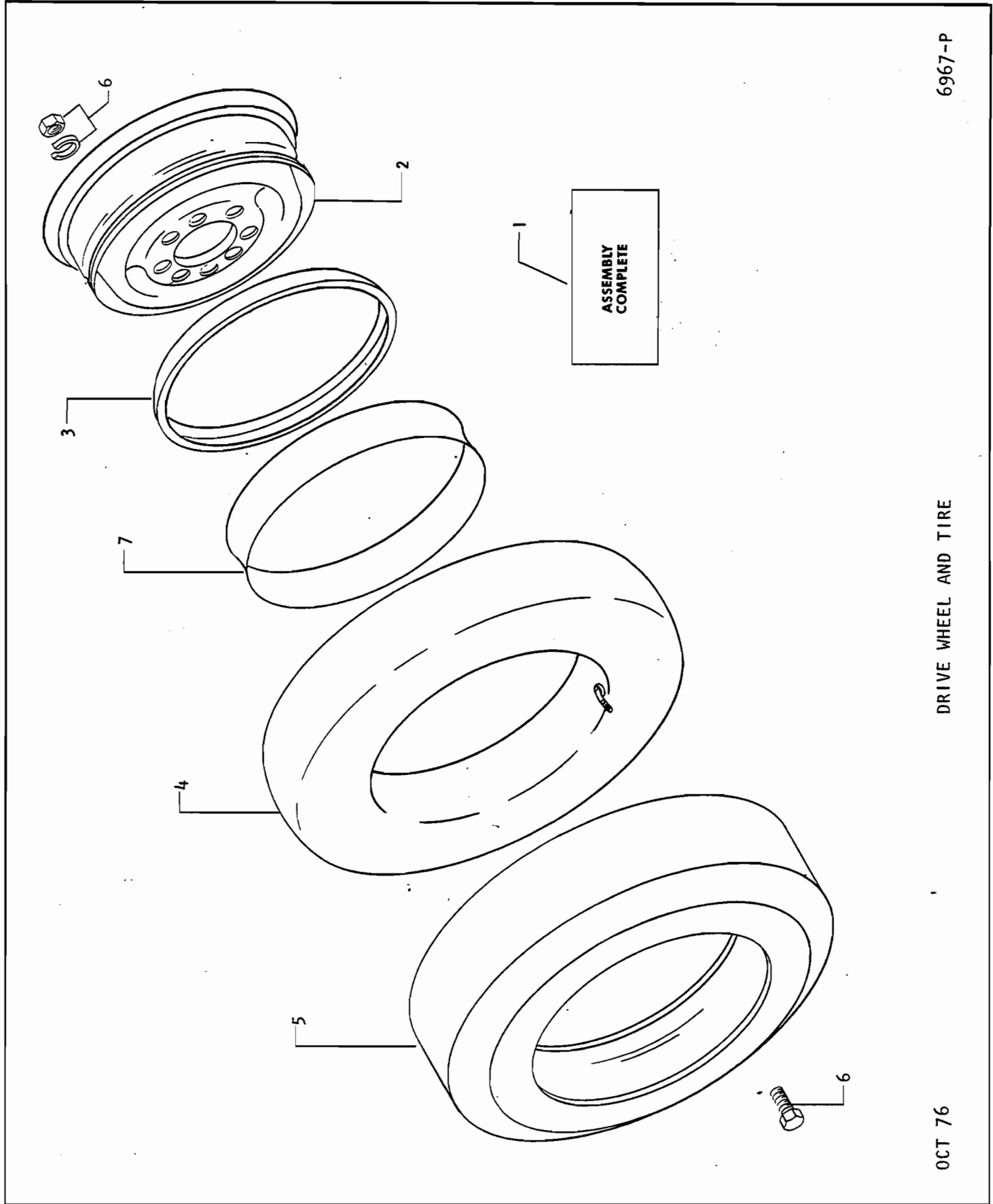
OCT 76

OCT 76

27

X147

Item	Description	Req'd	CTAGE-1-3250 AND ABOVE
1	Wheel Assembly, Steer (Includes Items 2, 3 & 4)	2	1810530
2	Wheel Half w/Valve Hole, Steer	1	1744530
3	Wheel Half, Steer	1	1744531
4	Bolt, Steer Wheel Assembly	10	2C-816J
	Lockwasher	10	23E08
	Nut	10	62D-08
5	Tire, Steer	2	1697368
6	Tube, Steer Wheel	2	1300499
7	Flap, Steer Wheel	2	712841
8	Nut, Steer Wheel (RH)	5	114133
	Nut, Steer Wheel (LH)	5	114133
9	Not Used		



6967-P

DRIVE WHEEL AND TIRE

OCT 76

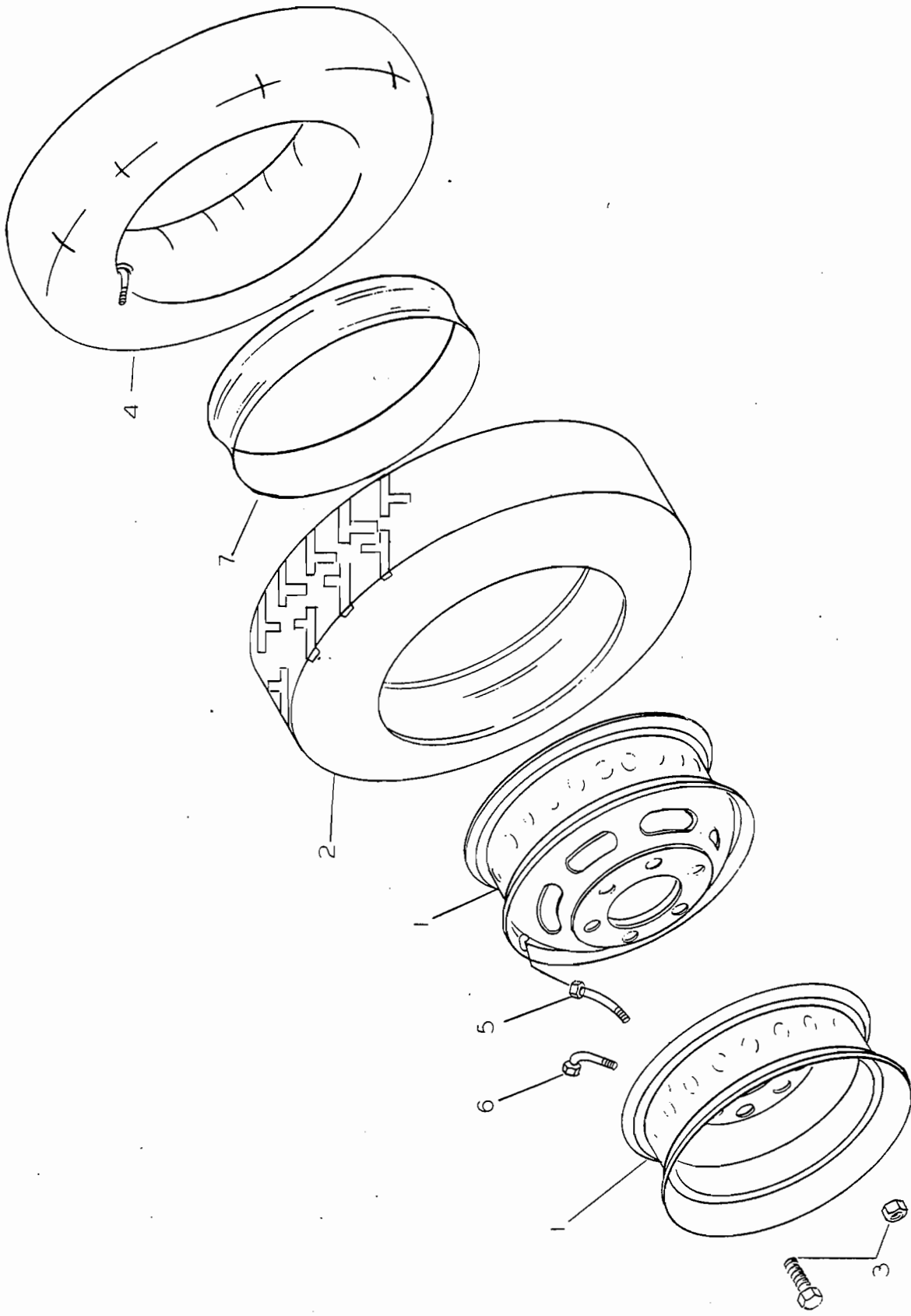
OCT 76

29

X147

Item	Description	Req'd	CTAGE-1-3250 AND ABOVE	Item
1	Wheel Assembly, Drive (Single)	1	1619289	1
2	Base, Drive Wheel Rim	1	**1	2
3	Ring, Drive Wheel Split Lock	1	667563	3
4	Tube, Drive Wheel	1	763599	4
5	Tire, Drive	1	609719	5
6	Nut, Drive Wheel - LH	6	110065	6
	Nut, Drive Wheel - RH	6	109547	
7	Flap, Drive Wheel	1	646213	7

**Not Sold - Use Item Listed



6968-P

DRIVE WHEEL AND TIRE

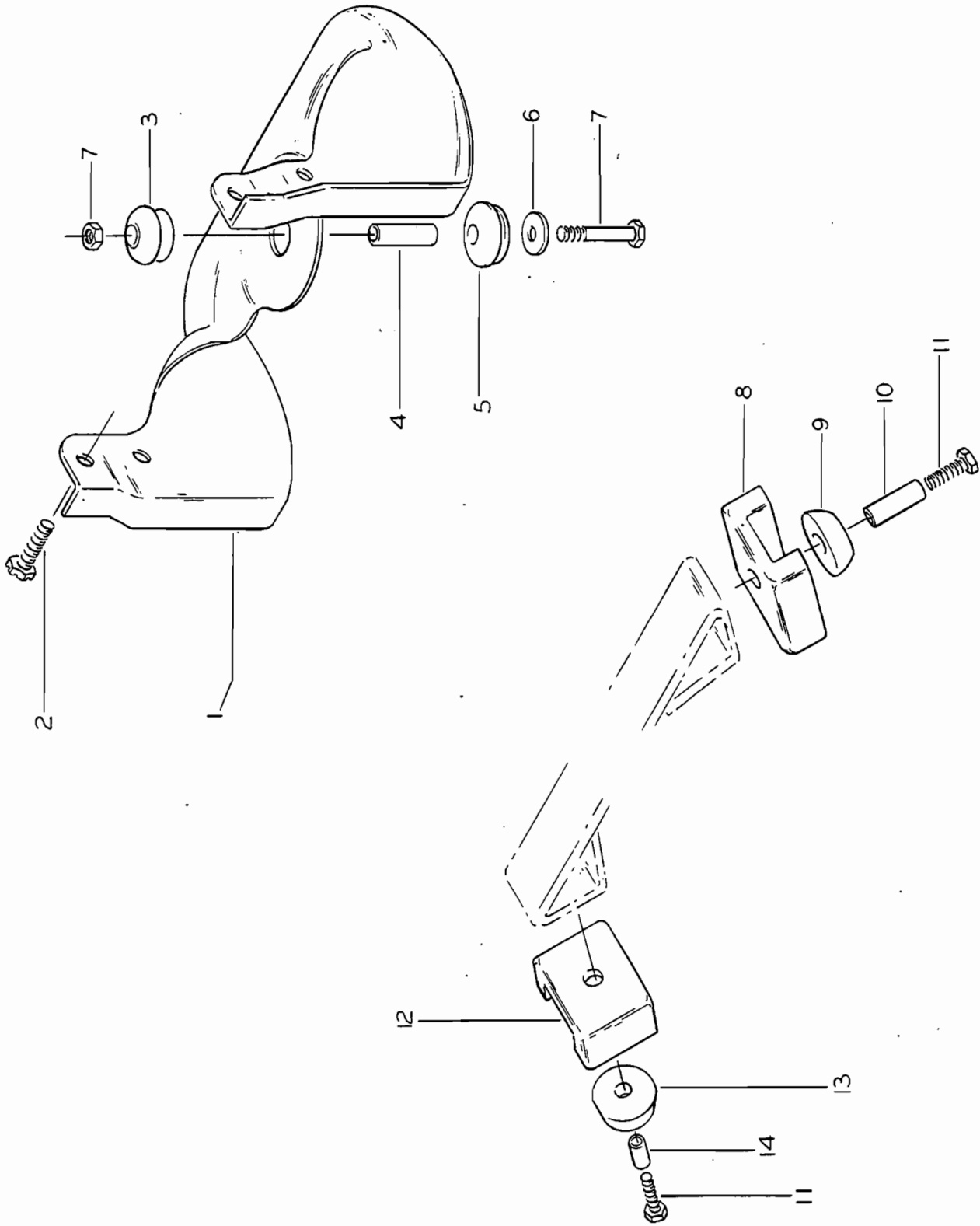
OCT 76

OCT 76

31

x147

Item	Description	Req'd	CTAGE-1-3250 AND ABOVE	Item
1	Wheel Assembly, Drive (Dual)	1	741961	1
2	Tire, Drive	1	609719	2
3	Nut, Drive Wheel (RH)	6	109547	3
4	Nut, Drive Wheel (LH)	6	110065	4
5	Tube, Drive Wheel	1	763599	5
5	Extension, Inner Drive Wheel Valve Stem	1	654864	5
6	Not Used			6
7	Flap, Drive Wheel	1	646213	7



6998-P

ENGINE MOUNTS

NOV 76

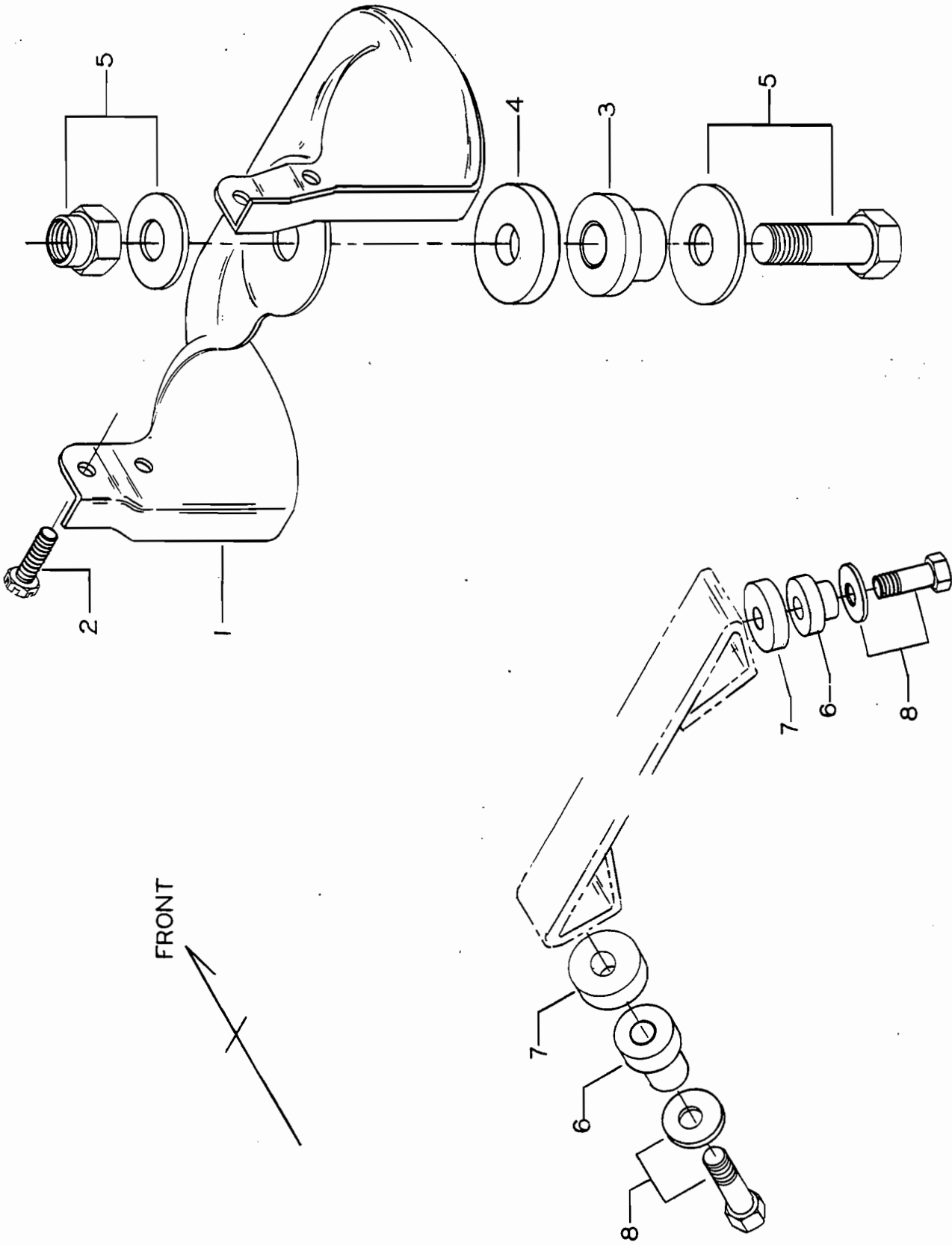
OCT 76

33

X147

Item	Description (USE ILLUSTRATION 6998-P) ENGINE MOUNT	Req'd	CTAE-1-3250 thru Lot 3251	Item
1	Support, Engine Front	1	890796	1
2	Bolt, Front Support	4	890797	2
3	Dampener, Vibration	1	1700115	3
4	Spacer, Support Dampener	1	1313075	4
5	Spacer, Support Dampener	1	1311982	5
6	Dampener, Lower Vibration	1	1700116	6
7	Washer, Dampener (Lower)	1	1308294	7
	Bolt, Front Dampener	1	20C-960J	
	Washer	1	664406	
	Nut	1	67D-09J	
8	Dampener, Engine Mount R.H. (Upper)	1	1700117	8
9	Dampener, Engine Mount R.H. (Lower)	1	1700114	9
10	Spacer, Rear Dampener, R.H.	1	1311981	10
11	Bolt, Rear Dampener	2	21C-956J	11
12	Dampener, Vibration L.H. (Upper)	1	1700120	12
13	Dampener, Vibration L.H. (Lower)	1	1700114	13
14	Spacer, Rear Dampener L.H.	1	1311981	14

FRONT



ENGINE AND TRANSMISSION MOUNTING

6941-P

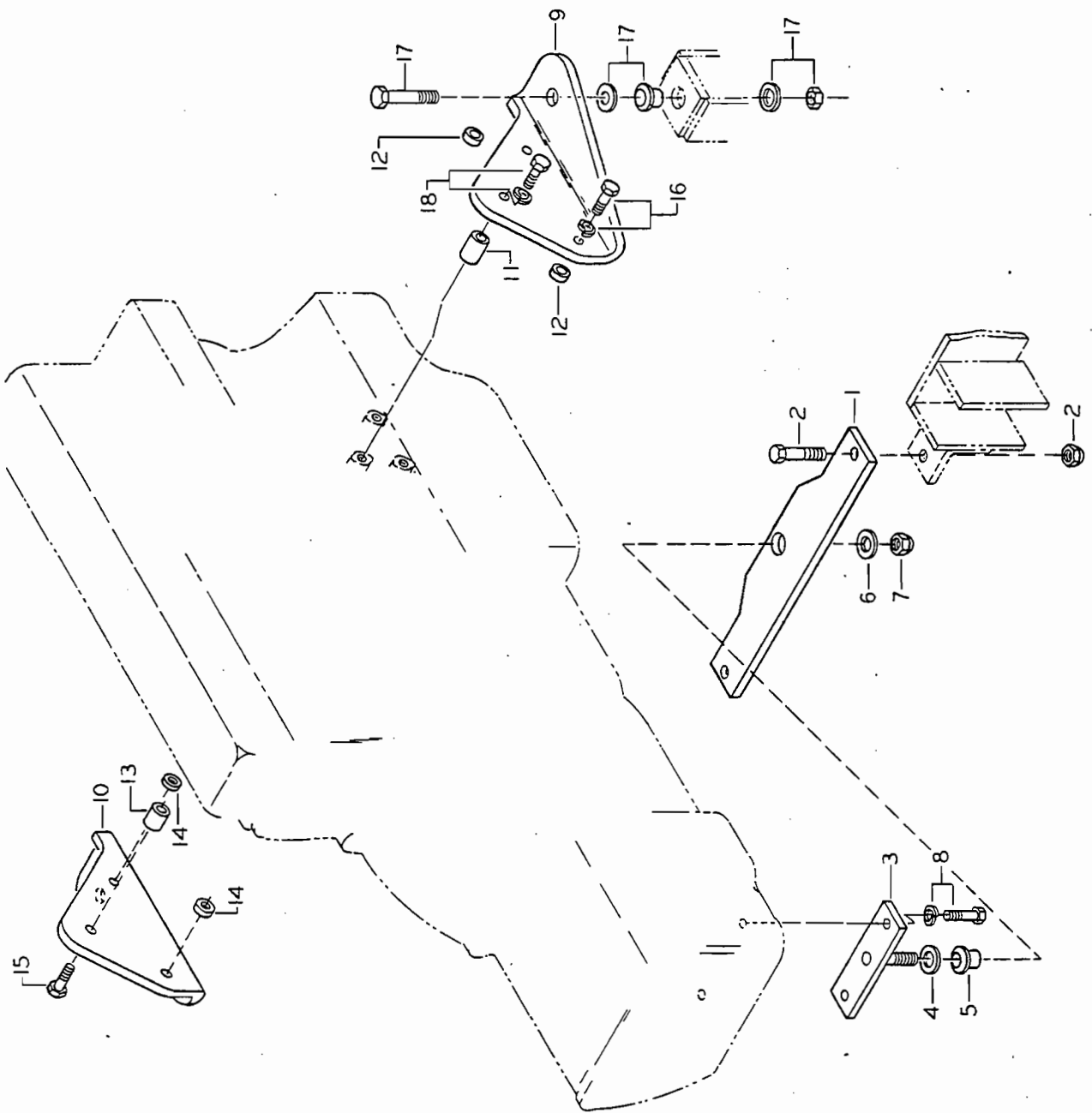
JUL 76

OCT 77

33A

X-147

Item	Description	Req'd	Part No.	Lot	QTY	UOM	Notes
1	Support, Engine Front	1	890796	CTAE-1-3391 thru Lot 3765			
2	Capscrew, Engine Front Support	4	29C714				
3	Mount, Engine Front	1	1680815				
4	Spacer, Engine Mount	1	1535292				
5	Bolt, Front Engine Mount	1	2C956H				
	Washer, Lower	1	1309812				
	Washer, Upper	1	25E24H				
	Locknut	1	67D09H				
6	Mount, Transmission	2	1680815				
7	Spacer, Transmission Mount	2	2351313				
8	Capscrew, Transmission Mount	2	21C956H				
	Washer	2	1309812				



OCT 77

33B

X-147

Item	ENGINE & TRANSMISSION MOUNT (USE ILLUSTRATION 7108-P)	Req'd	CTAE-1-3815 AND ABOVE		Item
Description					
1	Mount, Transmission	1	2352814		1
2	Bolt, Transmission Mount	2	1C1044		2
	Nut	2	59010		
3	Adaptor, Transmission Mount	1	2352815		3
4	Washer, Transmission Mount	1	2353393		4
5	Rubber Mount, Transmission	1	569069		5
6	Washer, Transmission Mount	1	1315054		6
7	Nut, Transmission Mount	1	59010		7
8	Capscrew, Mount Adaptor	2	1C716		8
	Lockwasher	2	23E7		
9	Mount, Engine R.H.	1	2352818		9
10	Mount, Engine L.H.	1	2352821		10
11	Spacer, R.H. Mount	1	2355162		11
12	Spacer, R.H. Mount	2	2355160		12
13	Spacer, L.H. Mount	2	2357055		13
14	Spacer, L.H. Mount	1	2355159		14
15	Capscrew, L.H. Mount	1	1C764H		15
16	Capscrew, Motor Mount	3	1C740H		16
	Lockwasher	4	23E7		
17	Bolt, Engine Mount	2	1C1056H		17
	Washer	4	2353393		
	Rubber Mount	2	569069		
	Nut	2	59010H		
18	Capscrew, R.H. Mount	2	1G728		18
	Lockwasher	1	23E7		

**ALWAYS GIVE MACHINE
SERIAL NUMBER WHEN
ORDERING PARTS**

JUNE 78

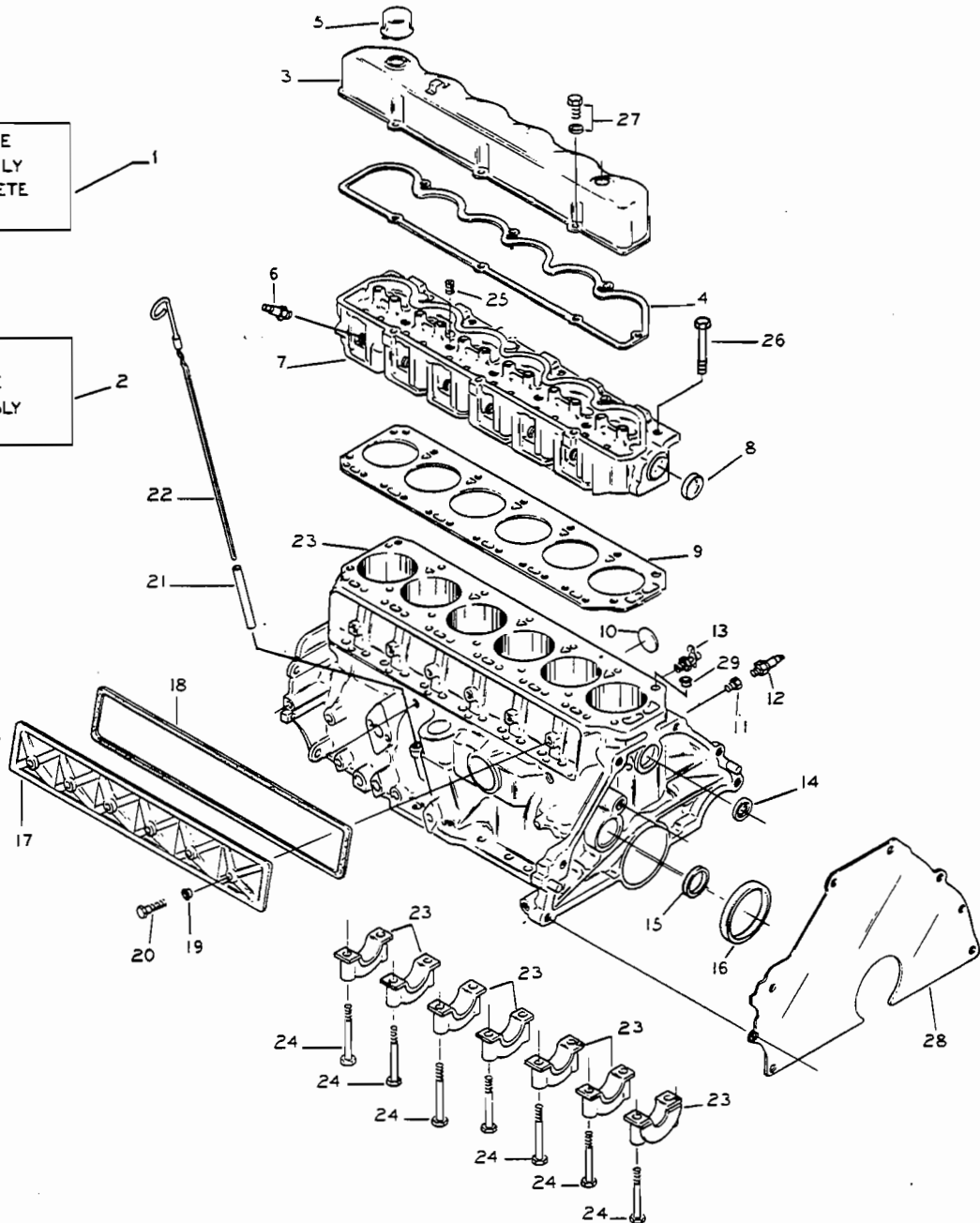
35

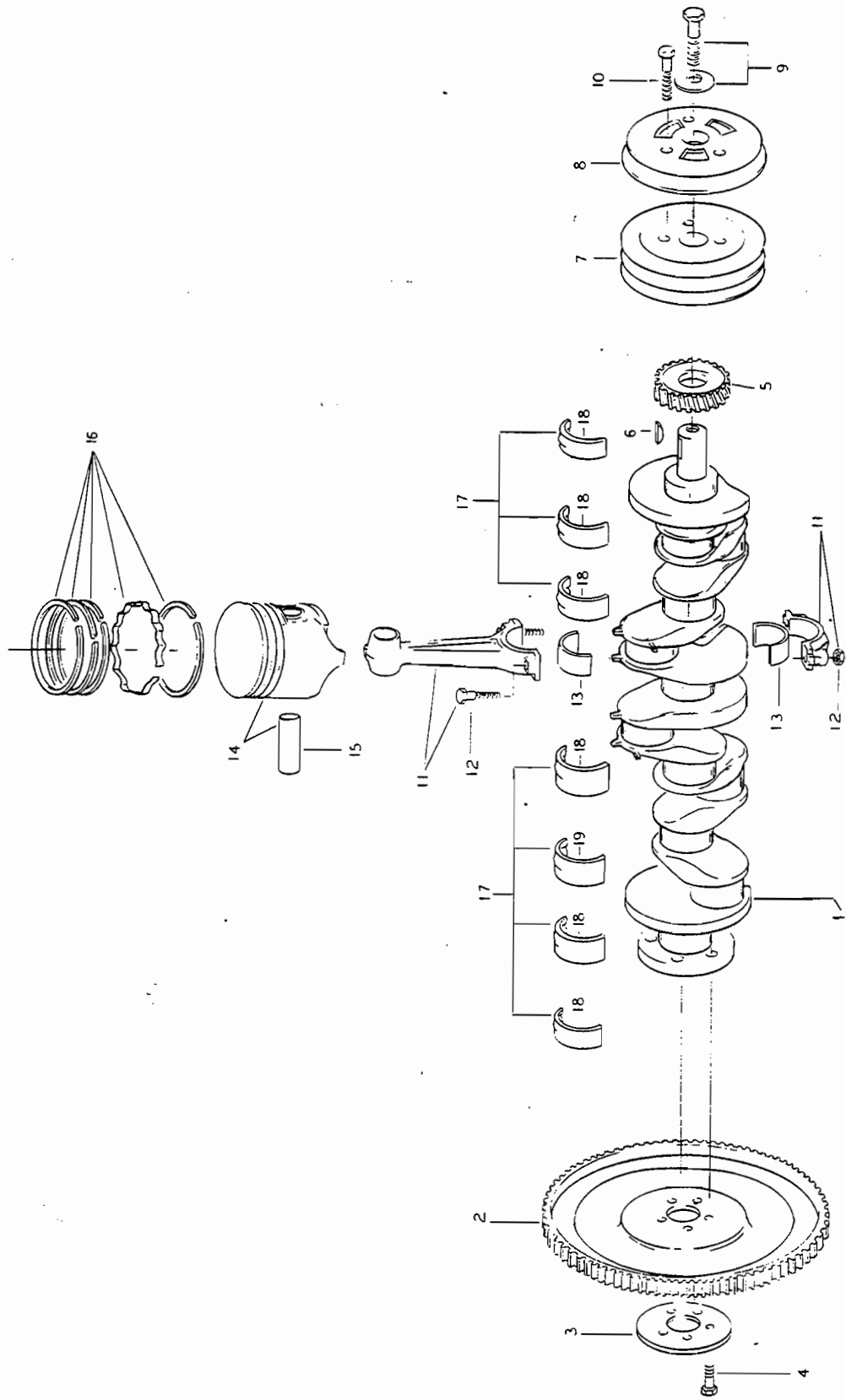
X147

Item	
1	
2	
3	
CTAE-1-3815 AND ABOVE	999512
thru Lot 3765	
CTAE-1-3250	997625 899828 899842
Req'd	1 1 1
ENGINE GASKET KITS	
Description	
1	Gasket Kit, Engine Lower
2	Gasket Kit, Valve GrInd
3	Gasket Kit, Oil Pan

ENGINE
ASSEMBLY
COMPLETE

SHORT
ENGINE
ASSEMBLY





JAN 75

CRANKSHAFT

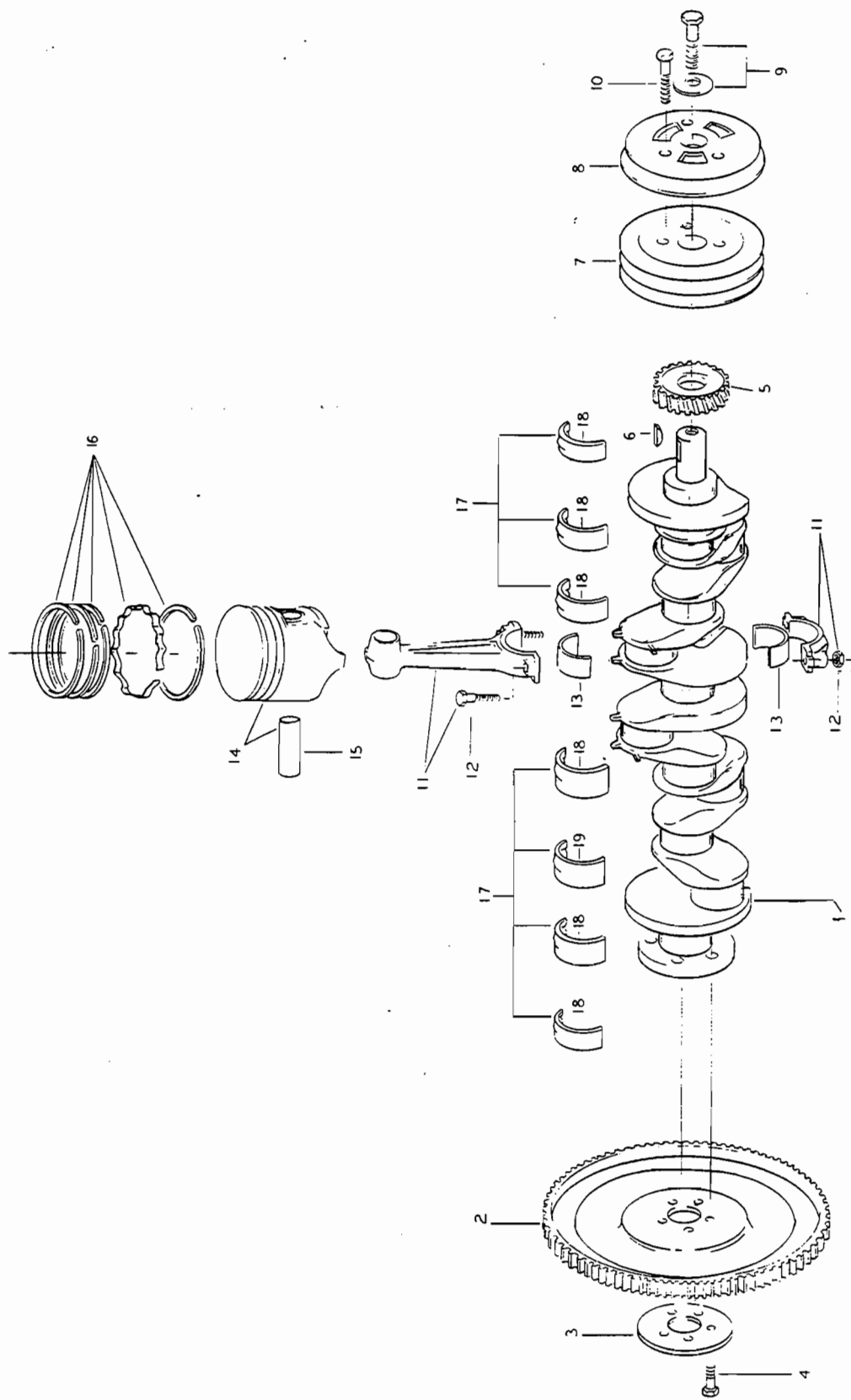
6717-P

OCT 77

39

X147

Item	Description	Req'd	CTAE-1-3250 thru Lot 3765	CTAE-1-3815 AND ABOVE	Item
1	Crankshaft	1	996400		1
2	Flywheel & Ring Gear	1	990153	999491	2
3	Plate, Flywheel Reinforcing	1	996401	999514	3
4	Capscrew, Flywheel	6	18C714		4
5	Gear, Crankshaft Timing	1	890775		5
6	Key, Crankshaft Timing Gear	1	895507		6
7	Pulley, Crankshaft	1	996402		7
8	Pulley, Crankshaft - Outer	1	996403		8
9	Washer, Crankshaft Pulley	1	895506		9
10	Capscrew	1	86G1032		10
11	Capscrew, Crankshaft Pulley	3	8C616J		11
12	Rod, Connecting (Includes Item 12)	6	996461		12
13	Capscrew, Connecting Rod	12	890809		13
	Nut	12	890810		
	Bearing Set, Connecting Rod (Std.)	1	1810392		
	Bearing Set, Connecting Rod (.001 u/s)	1	1810933		
	Bearing Set, Connecting Rod (.002" u/s)	1	1810934		
	Bearing Set, Connecting Rod (.010" u/s)	1	1810393		
	Bearing Set, Connecting Rod (.020" u/s)	1	1810394		
	Bearing Set, Connecting Rod (.030" u/s)	1	1810395		
14	Piston & Pin Set (Std.)	1	1810932		14
	Piston & Pin Set (.003" o/s)	1	1810931		
	Piston & Pin Set (.020" o/s)	1	1810930		
	Piston & Pin Set (.030" o/s)	1	1810929		
	Piston & Pin Set (.040" o/s)	1	1810928		
15	Pin Set, Piston (Std.)	1	1810634	999513	15
	Pin Set, Piston (.001" o/s)	1	1810926	Not Used	
	Pin Set, Piston (.002" o/s)	1	1810925	Not Used	
16	Ring Set, Piston (Std.)	1	1810388		16
	Ring Set, Piston (.020" o/s)	1	1810389		
	Ring Set, Piston (.030" o/s)	1	1810390		
	Ring Set, Piston (.040" o/s)	1	1810391		
17	Bearing Set, Main (Std.)	1	1810396	1811150	17
	Bearing Set, Main (.010" u/s)	1	1810397	1811151	
	Bearing Set, Main (.020" u/s)	1	1810398	1811152	
	Bearing Set, Main (.030" u/s)	1	1810399	1811153	



CRANKSHAFT

6717-P

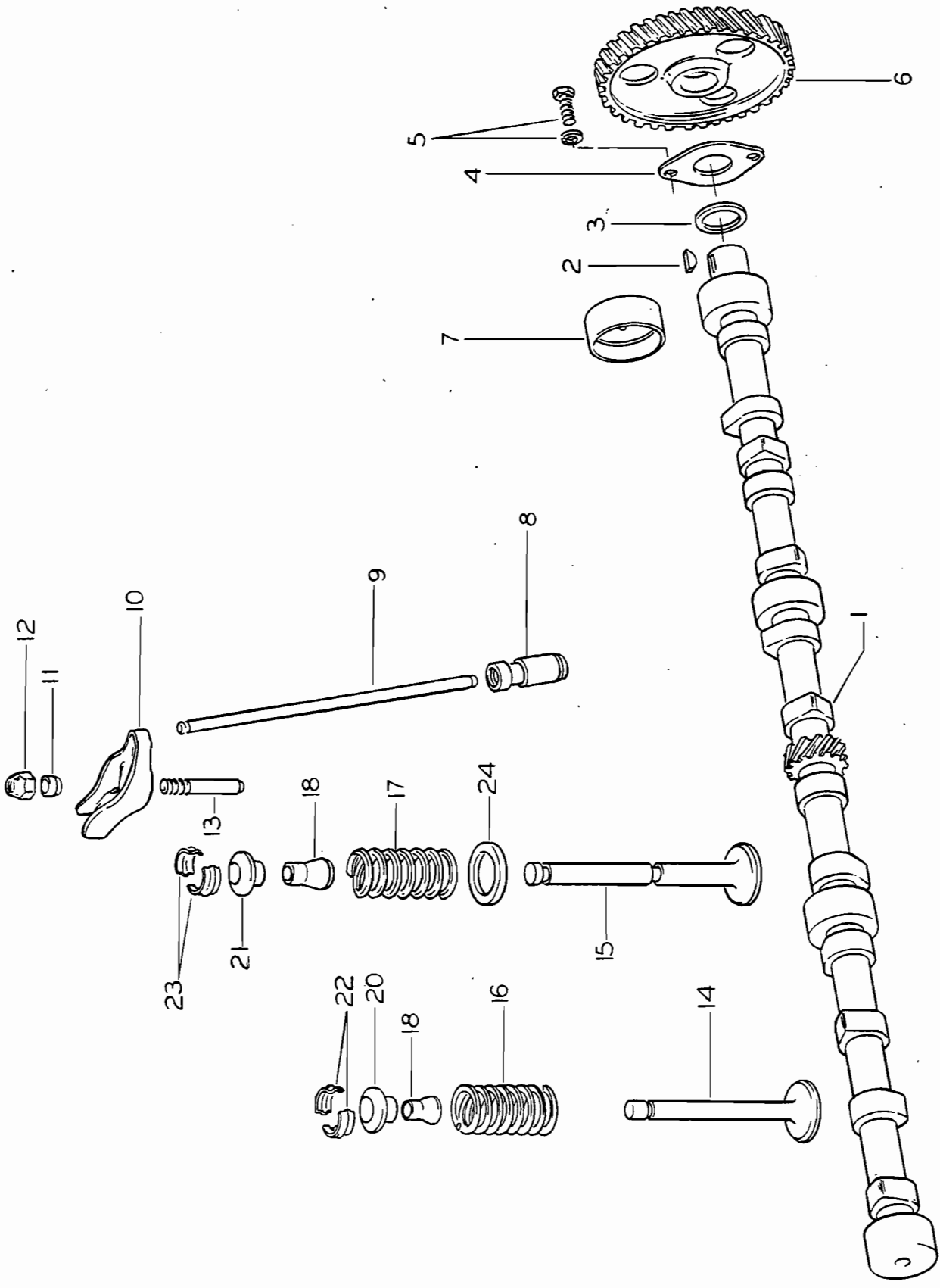
JAN 75

OCT 77

41

X147

Item	Continued CRANKSHAFT (USE ILLUSTRATION 6717-P) Description	Req'd	CTAE-1-3250 thru Lot 3765 CTAE-1-3815 AND ABOVE				Item
18	Bearing, #1, 2, 3, 4, 6, & 7 Main - Upper (.001" u/s)	6	890777	999557		18	
	Bearing, #1, 2, 3, 4, 6, & 7 Main - Upper (.002" u/s)	6	890778	999558			
	Bearing, #1, 2, 3, 4, 6, & 7 Main - Lower (.001" u/s)	6	890779				
	Bearing, #1, 2, 3, 4, 6, & 7 Main - Lower (.002" u/s)	6	890780				
19	Bearing, #5 Main - Upper (.001" u/s)	1	890781	999559		19	
	Bearing, #5 Main - Upper (.002" u/s)	1	890782	999560			
	Bearing, #5 Main - Lower (.001" u/s)	1	890783	999561			
	Bearing, #5 Main - Lower (.002" u/s)	1	890784	999562			



NOV 76

CAMSHAFT

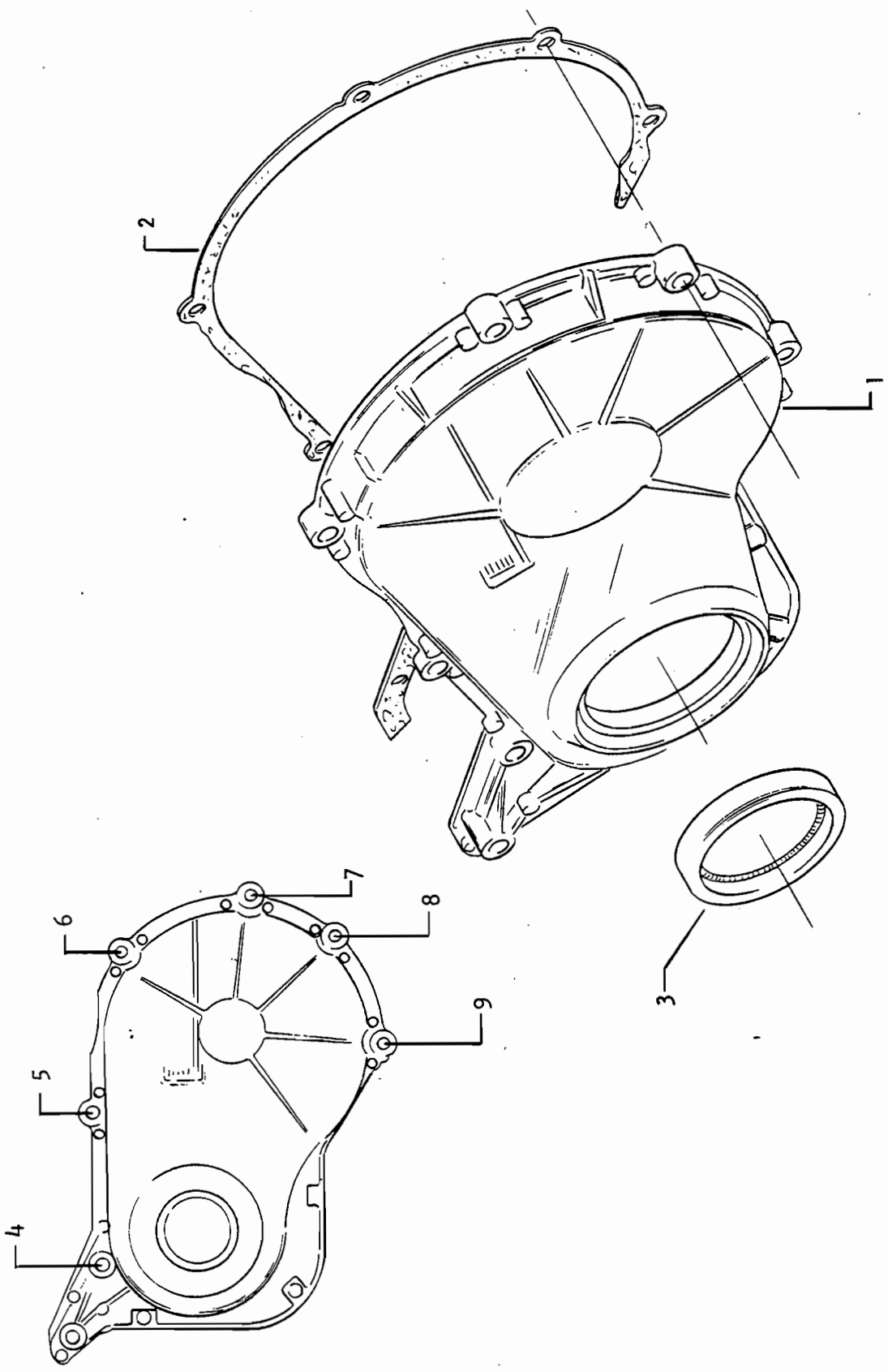
6999-P

Item	Description	Req'd	CTAE-1-3250 thru		AND ABOVE	Lot 3765	CTAE-1-3815	Item
			CTAE-1-3250	thru				
1	Camshaft	1	890749					1
2	Key, Camshaft Timing Gear	1	6J-606					2
3	Spacer, Camshaft Timing Gear	1	890750					3
4	Plate, Camshaft Thrust	1	890751					4
5	Bolt, Camshaft Thrust Plate	2	1C-512J					5
6	Lockwasher, Camshaft Thrust Plate	2	23E06					6
7	Gear, Camshaft Timing	1	890752					7
8	Bushing, Camshaft (Std.) (Pckg of 4)	4	899829					8
9	Bushing, Cam (.015" u/s) (Pckg of 4)	4	996453					9
10	Tappet, Valve (Pckg of 8)	12	899830					10
11	Push Rod, Valve Rocker Arm (Pckg of 4)	12	899836					11
12	Rocker Arm, Valve	12	890753					12
13	Ball Seat, Rocker Arm (Pckg of 4)	12	899835					13
14	Nut, Rocker Arm	12	890805					14
15	Stud, Rocker Arm (Std.)	12	890806					15
16	Stud, Rocker Arm (.006" o/s)	12	890807					16
17	Stud, Rocker Arm (.015" o/s)	12	890808					17
18	Valve, Intake (Std.)	6	996411	999492				18
19	Valve, Intake (.003" o/s)	6	996412	999493				19
20	Valve, Intake (.015" o/s)	6	996413	999494				20
21	Valve, Intake (.030" o/s)	6	996414	999495				21
22	Valve, Exhaust (Std.)	6	996415	998875				22
23	Valve, Exhaust (.003" o/s)	6	996416	998876				23
24	Valve, Exhaust (.015" o/s)	6	996417	998877				24
25	Valve, Exhaust (.030" o/s)	6	996418	998878				25
26	Spring, Intake Valve (Pckg of 6)	6	890761					26
27	Spring, Exhaust Valve (Pckg of 6)	6	890761					27
28	Seal, Valve	12	890762	999496				28
29	Seat, Intake Valve Spring	6	890764					29
30	Seat, Exhaust Valve Spring	6	996419					30
31	Lock, Intake Valve Spring Seat	12	890766					31
32	Lock, Exhaust Valve Spring Seat	12	890766					32
33	Not Used							33

OCT 77

43

X147



7073-P

FRONT END COVER

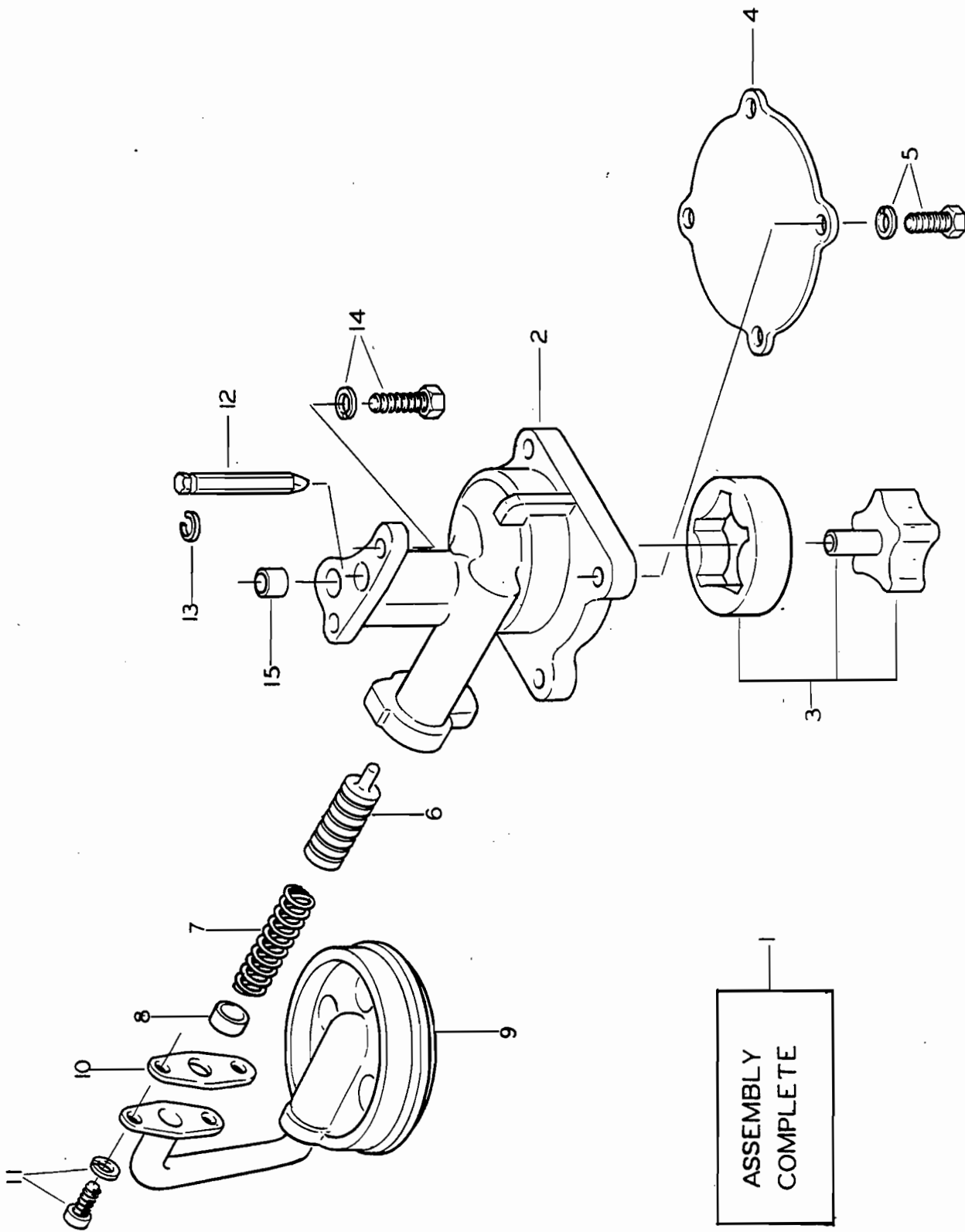
NOV 76

OCT 76

45

X147

Item	FRONT END COVER (USE ILLUSTRATION 7073-P)	Req'd	CTAE-1-3250 AND ABOVE	Item
Description				
1	Cover, Engine Front Gear	1	890748	1
2	Gasket, Engine Front Gear Cover (Pkg of 5)	1	899827	2
3	Seal, Engine Front Gear Cover	1	890378	3
4	Capscrew, Engine Front Gear Cover (Includes Items 5 thru 9)	1	895505	4
5	Capscrew, Engine Front Gear Cover	1	895505	5
6	Capscrew, Engine Front Gear Cover	1	895505	6
7	Capscrew, Engine Front Gear Cover	1	895505	7
8	Capscrew, Engine Front Gear Cover	1	895505	8
9	Capscrew, Engine Front Gear Cover	1	895505	9



7074-P

OIL PUMP

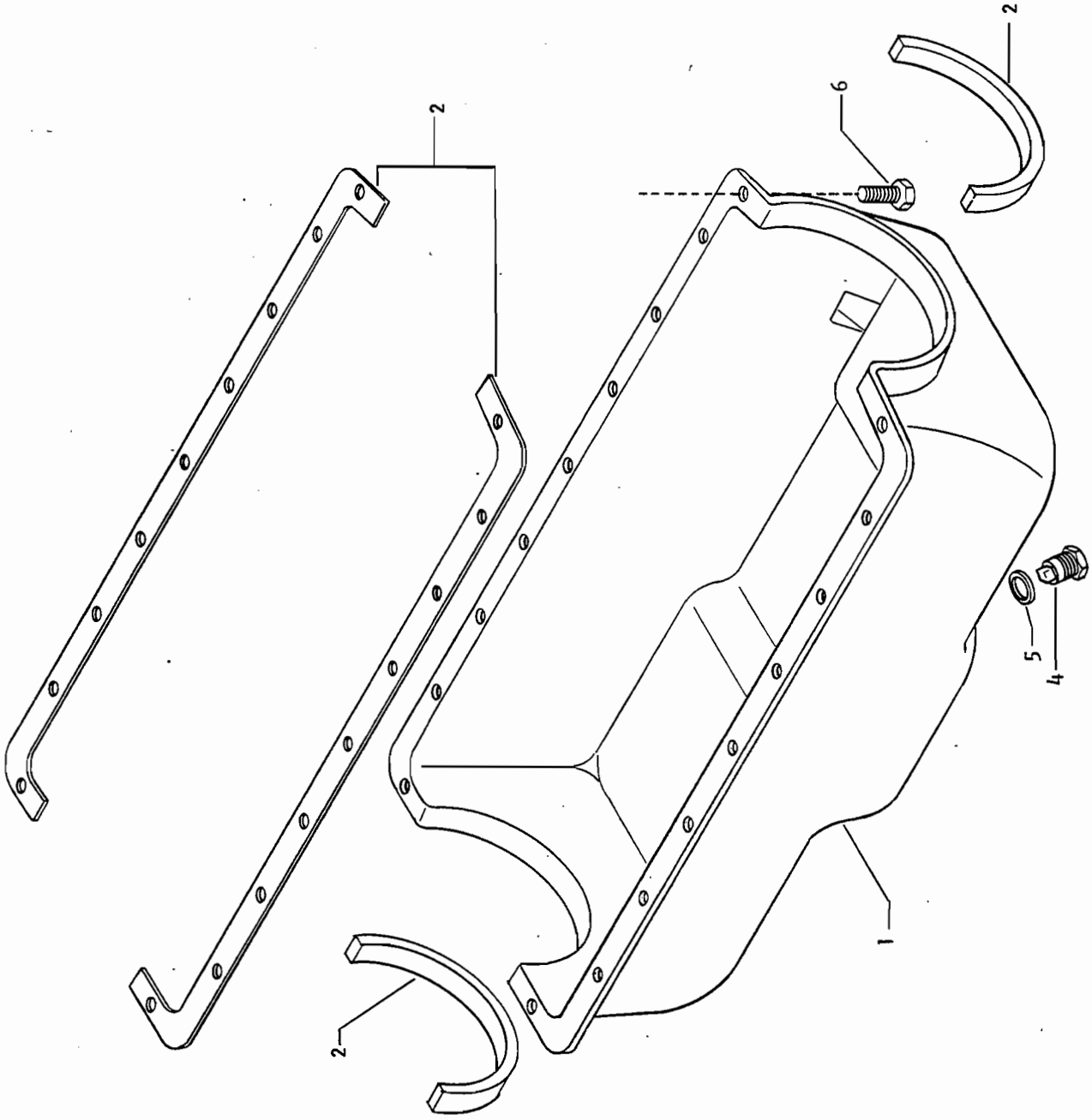
NOV 76

Item	Description	Req'd	CTAE-1-3250 thru Lot 3765	CTAE-1-3815 AND ABOVE	Item
1	Oil Pump Assembly (Includes Items 2 thru 5)	1	899838		1
2	Body, Oil Pump	1	**1		2
3	Rotor and Shaft, Oil Pump Drive	1	890741		3
4	Cover, Oil Pump	1	890742		4
5	Bolt, Oil Pump Cover	4	1C-410C		5
6	Lockwasher	4	23E-04		6
7	Plunger, Oil Pressure Regulating	1	890743		7
8	Spring, Oil Pressure Regulating	1	890744		8
9	Plug, Oil Pressure Regulating	1	890803		9
10	Strainer, Oil Pump	1	996399	999497	10
11	Gasket, Oil Pump Strainer Frame	1	890804		11
12	Bolt, Oil Pump Strainer	2	1C-512J		12
13	Lockwasher	2	23E-05		13
14	Shaft, Oil Pump Drive	1	890746		14
15	Snap Ring, Oil Pump Drive Shaft	1	895501		15
	Bolt, Oil Pump	2	1C-618J		
	Lockwasher	2	23E06		
	Dowel, Oil Pump Body	1	895502		

OCT 77

47

x147



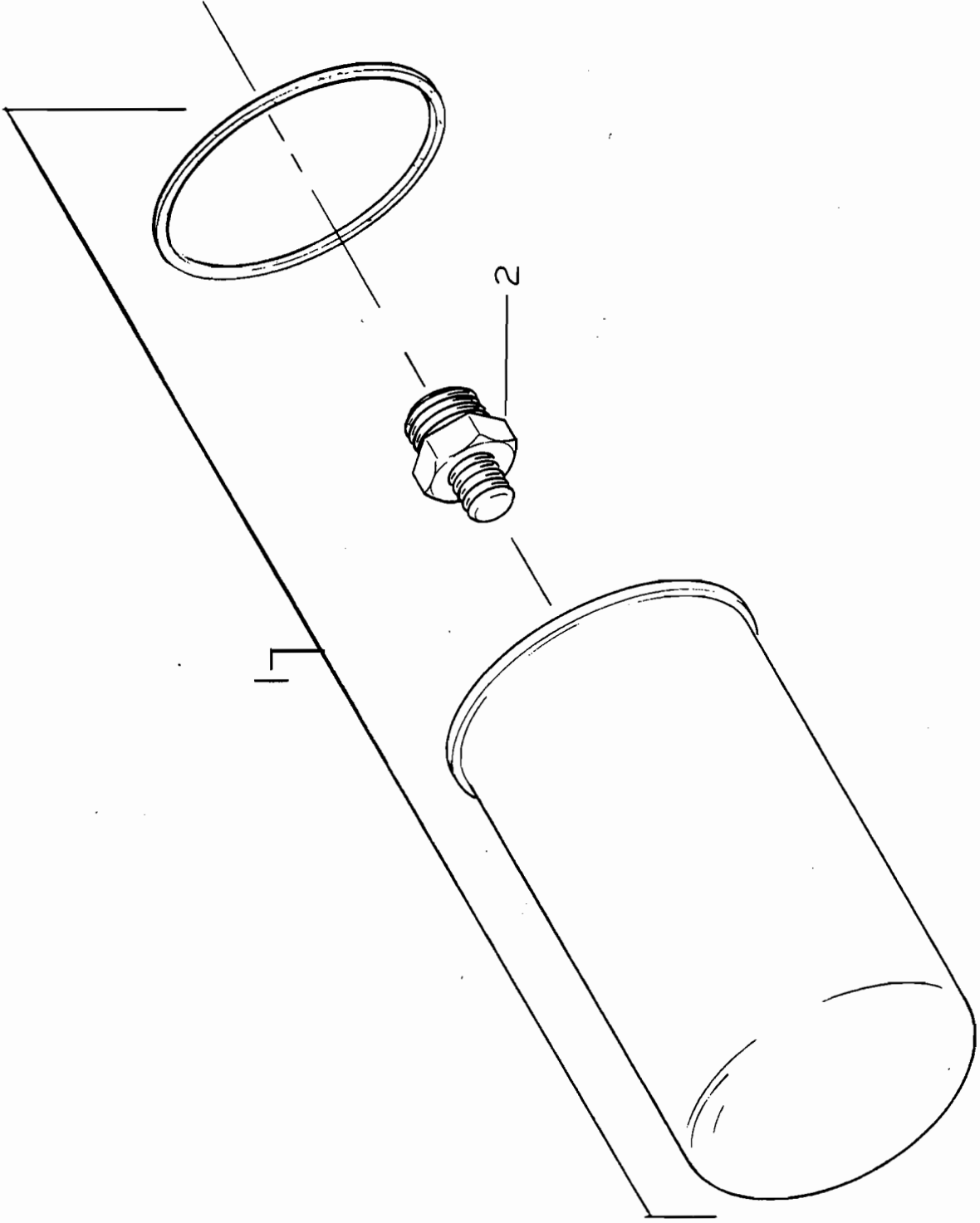
Item	OIL PAN (USE ILLUSTRATION 7075-P)	Req'd	CTAE-1-3250 AND ABOVE				Item
Description							
1	Pan, Crankcase Oil	1	890747				1
2	Gasket Set, Crankcase Oil Pan	1	899842				2
4	Plug, Crankcase Oil Pan Drain	1	895503				4
5	Gasket, Crankcase Oil Pan Drain Plug	1	895504				5
6	Capscrew, Oil Pan to Crankcase Lockwasher	25	1C-505J				6
			23E-05				

OCT 76

49

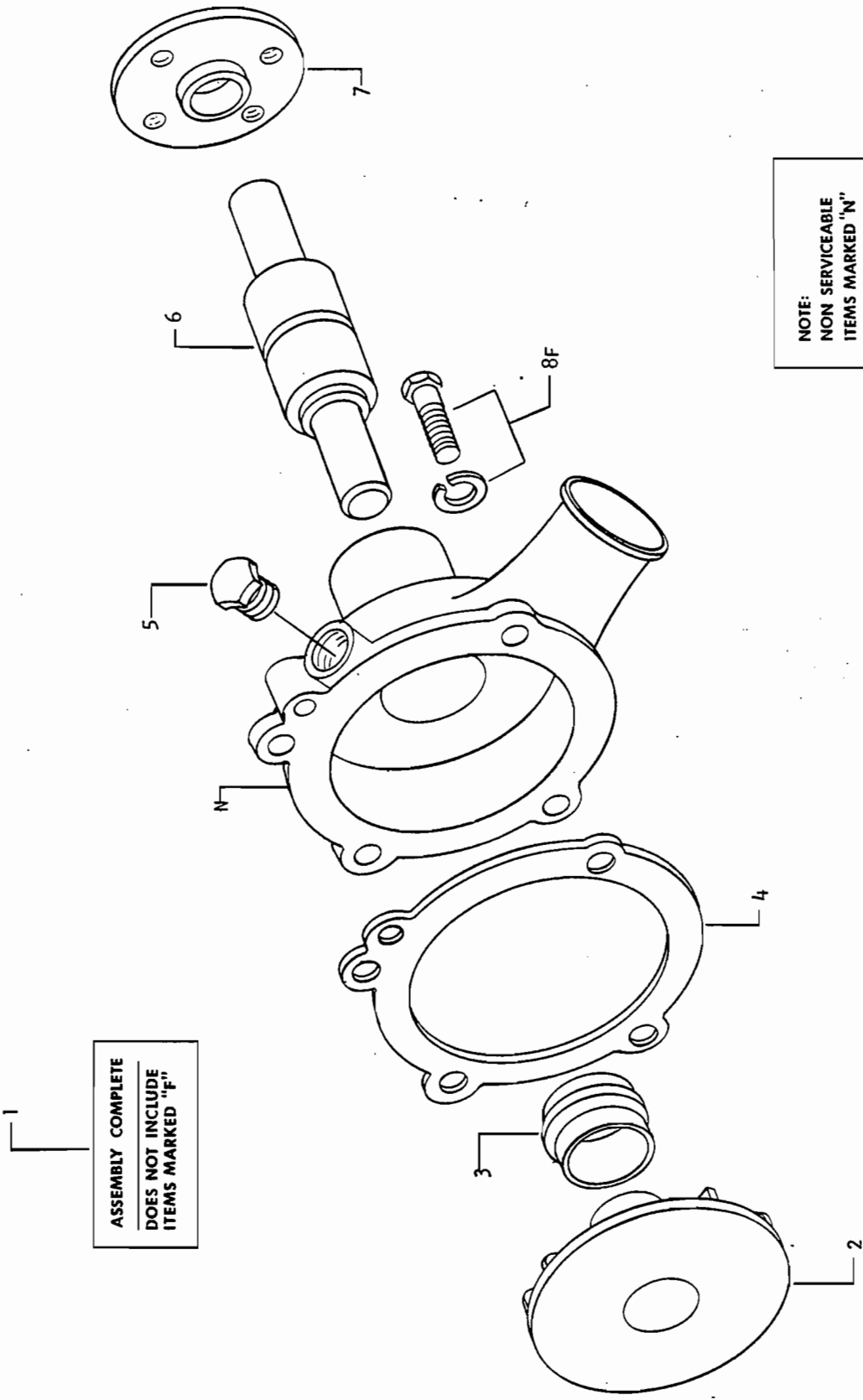
x147

7076-P



OIL FILTER

NOV 76



ASSEMBLY COMPLETE
 DOES NOT INCLUDE
 ITEMS MARKED "F"

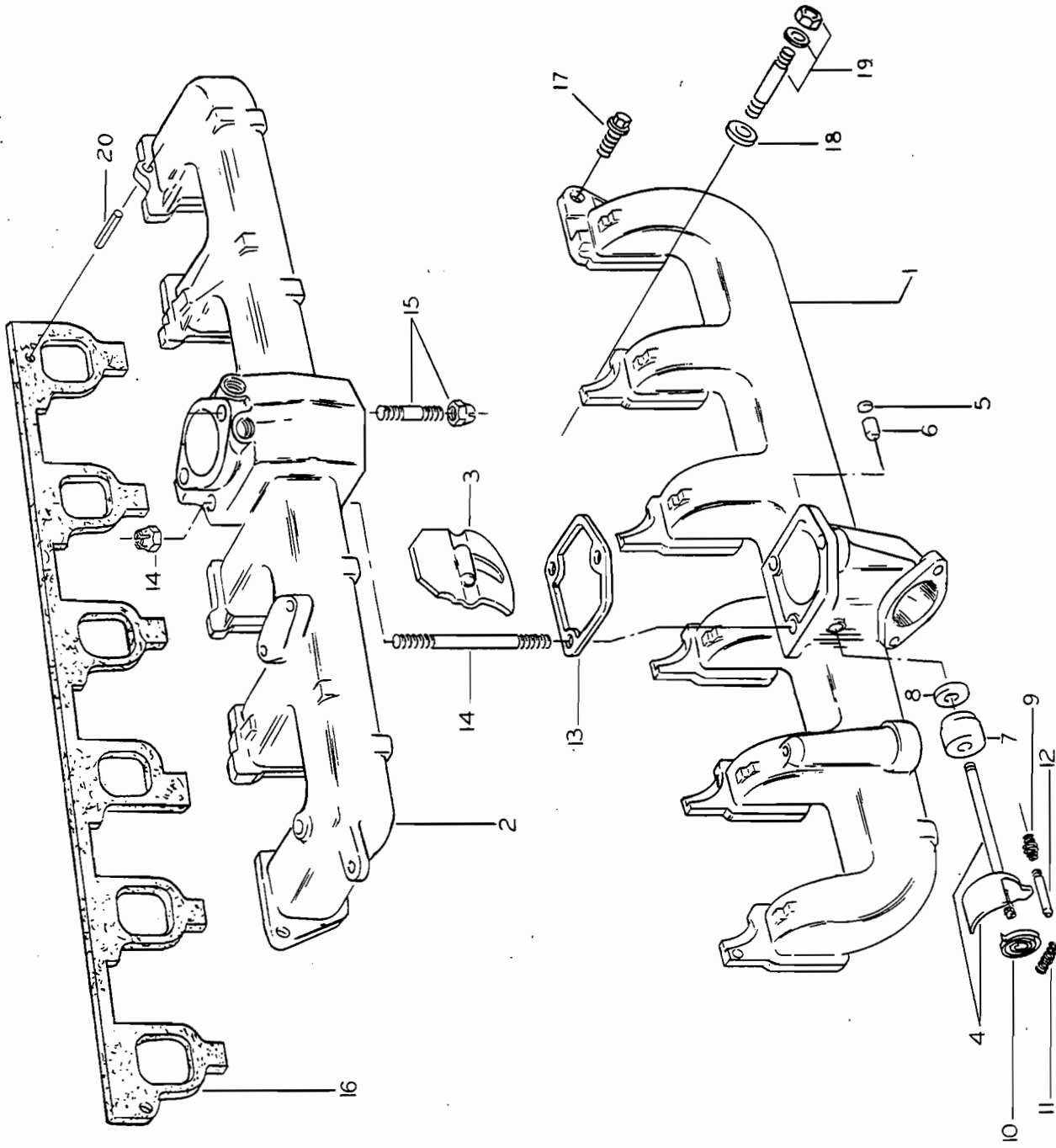
NOTE:
 NON SERVICEABLE
 ITEMS MARKED "N"

OCT 77

53

x147

Item						CTAE-1-3250 thru Lot 3765	CTAE-1-3815 AND ABOVE	Req'd	Description WATER PUMP (USE ILLUSTRATION 7077-P)	Item
1						899845	999504	1	Pump Assembly, Water	1
2						890864	999500	1	Impeller, Water Pump	2
3						890865	999501	1	Seal, Water Pump	3
4						890866		1	Gasket, Pump to Crankcase	4
5						16F-06		1	Plug, Water Pump Body	5
6						996420		1	Shaft & Bearing, Water Pump	6
7						890868	1C514	1	Hub, Water Pump	7
8						1C620		4	Bolt, Water Pump	8
						3E06		4	Lockwasher	

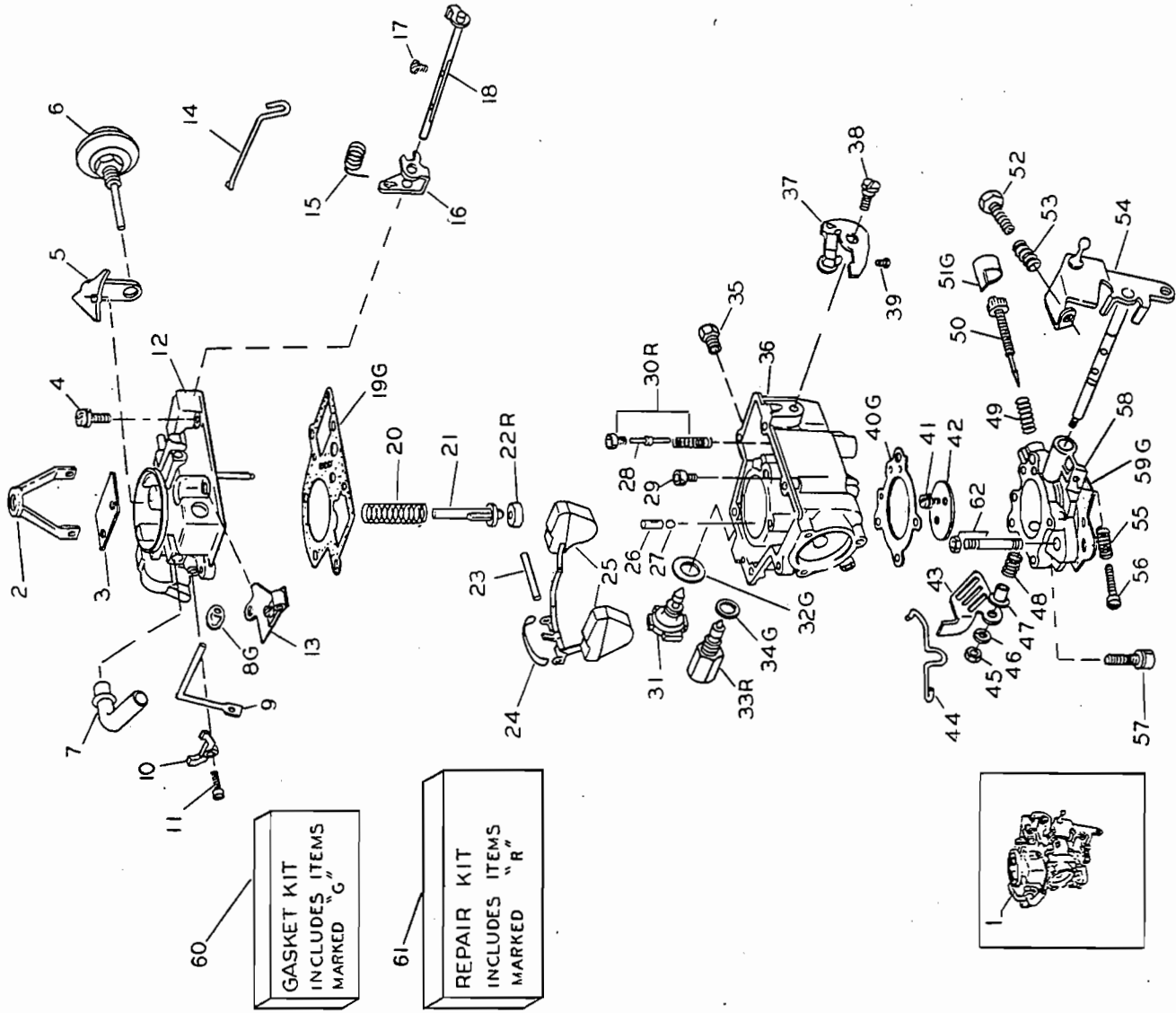


JUNE 78

55

X147

Item	MANIFOLD (USE ILLUSTRATION 6720-P)		Req'd	CTAE-1-3250 thru Lot 3765 AND ABOVE CTAE-1-3815			Item
	Description						
1	Manifold, Exhaust	890730	1			1	
2	Manifold, Intake	890731	1		999516	2	
3	Valve, Manifold Heat Control	**1	1			3	
4	Shaft & Counterweight, Heat Control	**1	1			4	
5	Plug, Manifold Heat Control Shaft	**1	1			5	
6	Bushing, Heat Control Valve Shaft	**1	1			6	
7	Bushing, Heat Control Valve Shaft	**1	1			7	
8	Spacer, Heat Control Valve Shaft	**1	1			8	
9	Spring, Heat Control Valve Stop	890735	1			9	
10	Spring, Manifold Heat Control	890736	1			10	
11	Spring, Heat Control Tension	890737	1			11	
12	Pin, Heat Control Valve Spring	**1	1			12	
13	Gasket, Intake to Exhaust Manifold	890739	1			13	
14	Stud, Intake to Exhaust Manifold - Long	890798	2			14	
15	Stud, Intake to Exhaust Manifold - Short	890799	1			15	
	Nut	86D6	1				
16	Gasket, Intake Manifold	890740	1			16	
17	Capscrew & Lockwasher, Manifold	890800	12			17	
18	Clamp, Manifold	890801	13			18	
19	Stud, Manifold	890802	3			19	
	Lockwasher	23E06	3				
	Nut	63D06	3				
20	Dowel, Intake Manifold	N.S.S.	1			20	



7014-P

CARBURETOR

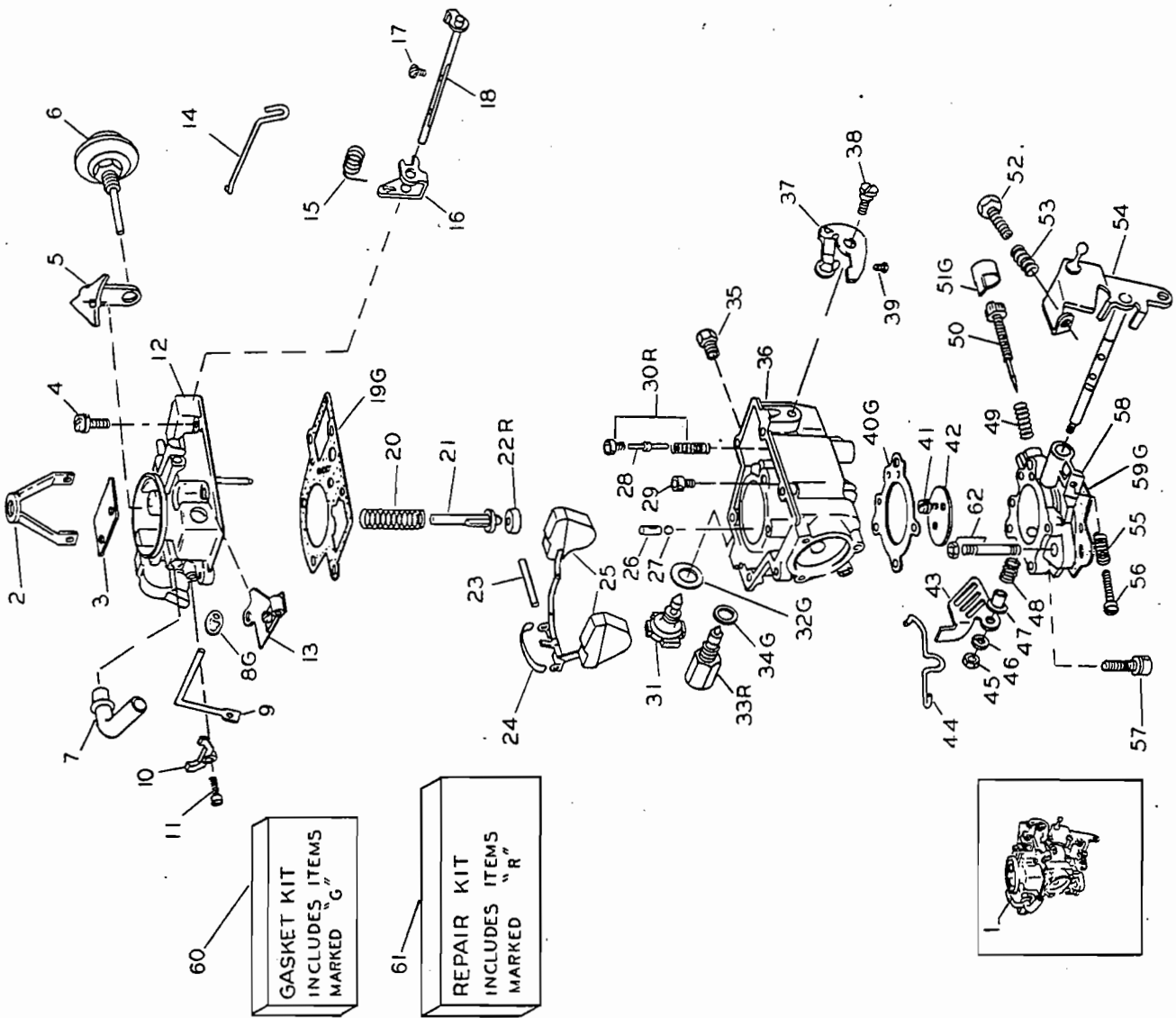
REV JAN 75

DEC 77

57

x147.

Item	CARBURETOR ASSEMBLY (USE ILLUSTRATION 7014-P)				Req'd	Description	CTAE-1-3250 thru Lot 3250	CTAE-1-3251 thru Lot 3765	CTAE-1-3815 AND ABOVE	Item
	Description									
1	1	1	1	1	1	992758	997411	999523	1	1
2	1	1	1	1	1	**1				2
3	1	1	1	1	1	992759				3
4	6	6	6	6	6	42G-1010J				4
5	1	1	1	1	1	17E-10		Not Used		5
6	1	1	1	1	1	992760		Not Used		6
7	1	1	1	1	1	992761		Not Used		7
8	1	1	1	1	1	**1	Not Used			8
9	1	1	1	1	1	**60				9
10	1	1	1	1	1	**1				10
11	1	1	1	1	1	992763				11
12	1	1	1	1	1	86G-1005				12
13	1	1	1	1	1	**1				13
14	1	1	1	1	1	992764				14
15	1	1	1	1	1	992765				15
16	1	1	1	1	1	992766				16
17	1	1	1	1	1	992767				17
18	2	2	2	2	2	992768				18
19	1	1	1	1	1	992769				19
20	1	1	1	1	1	**60				20
21	1	1	1	1	1	992771				21
22	1	1	1	1	1	992772				22
23	1	1	1	1	1	**61				23
24	1	1	1	1	1	992774				24
25	1	1	1	1	1	992782				25
26	1	1	1	1	1	992783				26
27	1	1	1	1	1	992784				27
28	1	1	1	1	1	992785				28
29	1	1	1	1	1	992786				29
30	1	1	1	1	1	992787		999780	**Not Sold	30
31	1	1	1	1	1	**61			Use Item Listed	31
32	1	1	1	1	1	992789		999779		32
33	1	1	1	1	1	**60				33
34	1	1	1	1	1	**61				34
35	1	1	1	1	1	**60				35
36	1	1	1	1	1	992793				36
37	1	1	1	1	1	**1				37
38	1	1	1	1	1	992794				38
39	1	1	1	1	1	N.S.S.				39
40	1	1	1	1	1	41G-804R				40
						**60				



CARBURETOR

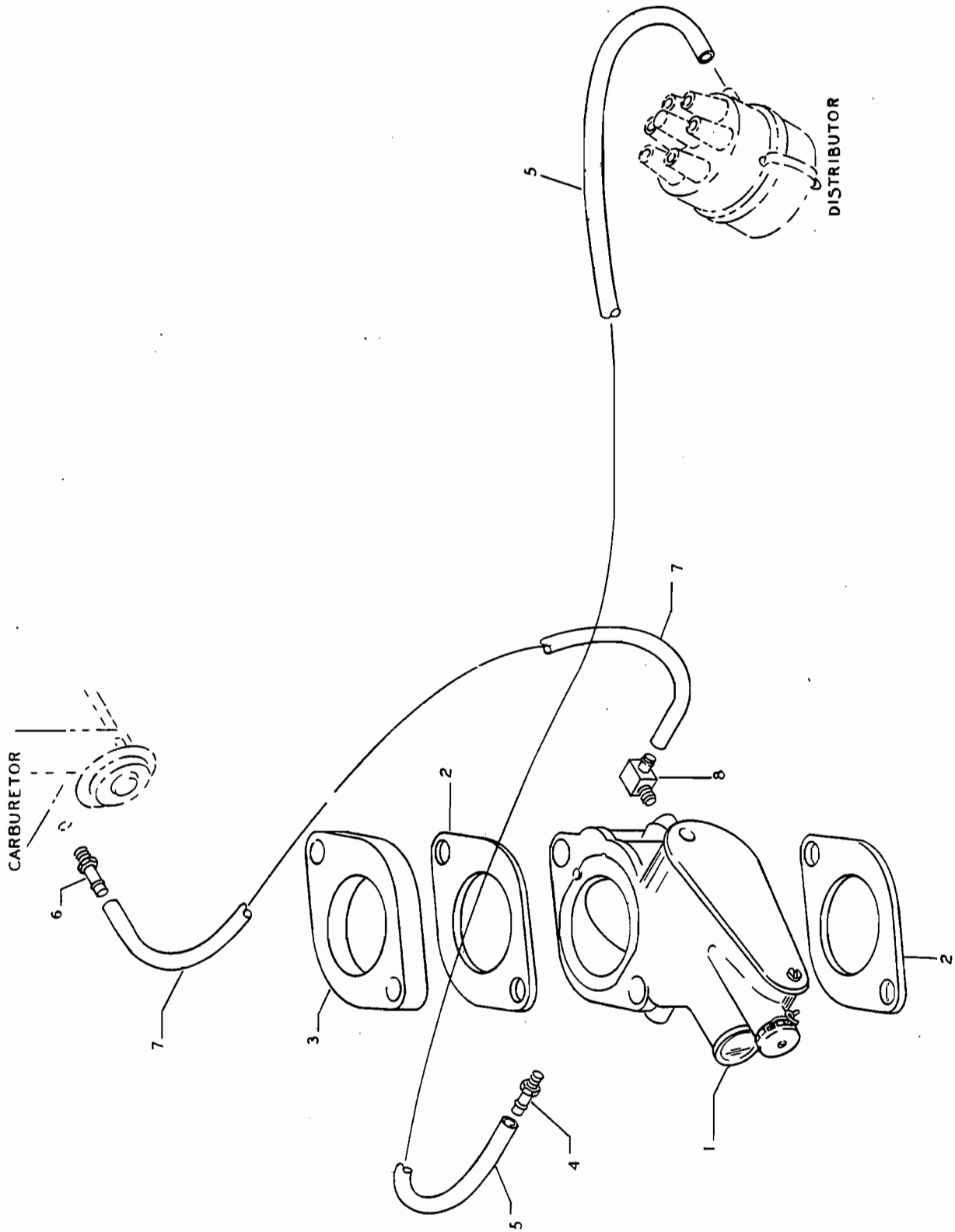
DEC 77

59

X147

Item	Description	Req'd	CTAE-1-3250 thru Lot 3250		CTAE-1-3251 thru Lot 3765		CTAE-1-3815 AND ABOVE		Item
41	Screw, Throttle Plate	2	87G-606C						41
42	Lockwasher	2	14E-6						42
43	Plate, Throttle	1	992797						43
44	Lever, Accelerator Pump	1	992799						44
45	Link, Accelerator Pump	1	992798						45
46	Nut, Accelerator Pump Lever	1	14D-10						46
47	Lockwasher, Accelerator Pump Lever	1	17E-10						47
48	Bushing, Accelerator Pump Lever	1	992800						48
49	Spring, Throttle Return	1	992775						49
50	Spring, Idle Adjusting Needle	1	N.S.S.						50
51	Needle, Idle Adjusting	1	992777						51
52	Limiter, Needle Adjusting	1	**60						52
53	Screw, Fast Idle Adjusting	1	42G-1016C						53
54	Spring, Fast Idle Adjusting Screw	1	992779						54
55	Lever and Shaft, Throttle	1	**1						55
56	Spring, Idle Adjusting Screw	1	881166						56
57	Screw, Idle Adjusting	1	42G-1012J						57
58	Screw, Throttle Body	3	41G-1212						58
59	Lockwasher	3	17E-10						59
60	Body, Throttle	1	**1						60
61	Gasket, Carburetor Mounting	1	**60						61
62	Gasket Set, Carburetor	1	992780			999781			62
	Repair Kit, Carburetor	1	992781			999782			
	Stud, Carburetor to Governor	2	887593						
	Nut	2	62D06J						

*Not Sold - Use Item Listed



CARBURETOR

DISTRIBUTOR

OCT 77

61

X147

Item	
1	993610
2	895543
3	890860
4	996454
5	997550
6	996454
7	997550
8	996455
1	999507
2	999506
3	999508
4	999509
5	999510
6	999509
7	999529
8	999529
1	998238
2	998238
3	998238
4	998238
5	998238
6	998238

CTAE-1-3815
AND ABOVE

Lot 3765
thru

CTAE-1-3251
Lot 3250

thru
CTAE-1-3250

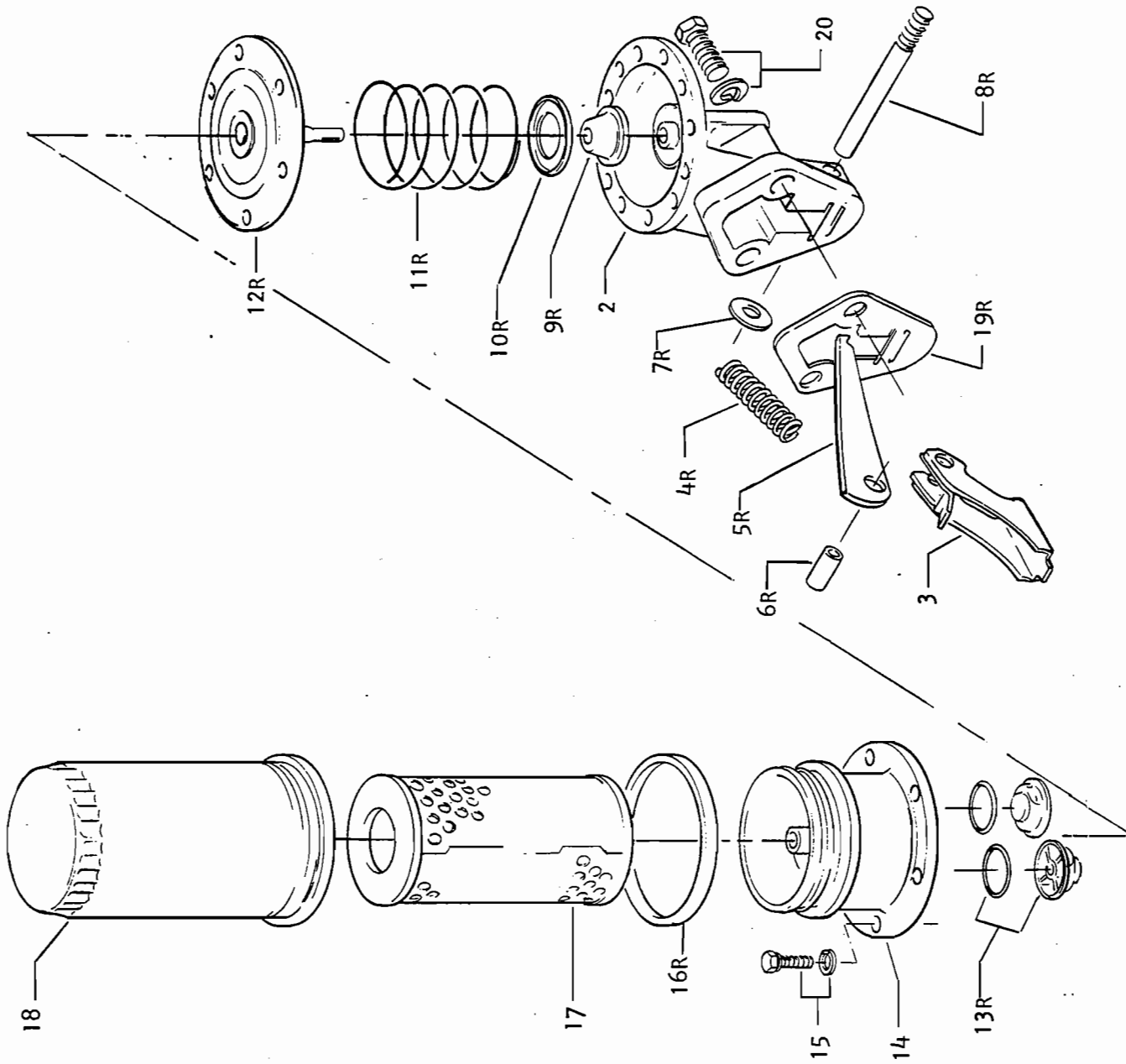
Req'd

GOVERNOR AND VACUUM LINES
(USE ILLUSTRATION 6722-P)

Description

Governor
Gasket, Governor
Adaptor, Carburetor
Fitting, Hose
Hose, Vacuum
Fitting, Vacuum
Hose, Vacuum
Fitting, Hose

Item



7078-P

FUEL PUMP

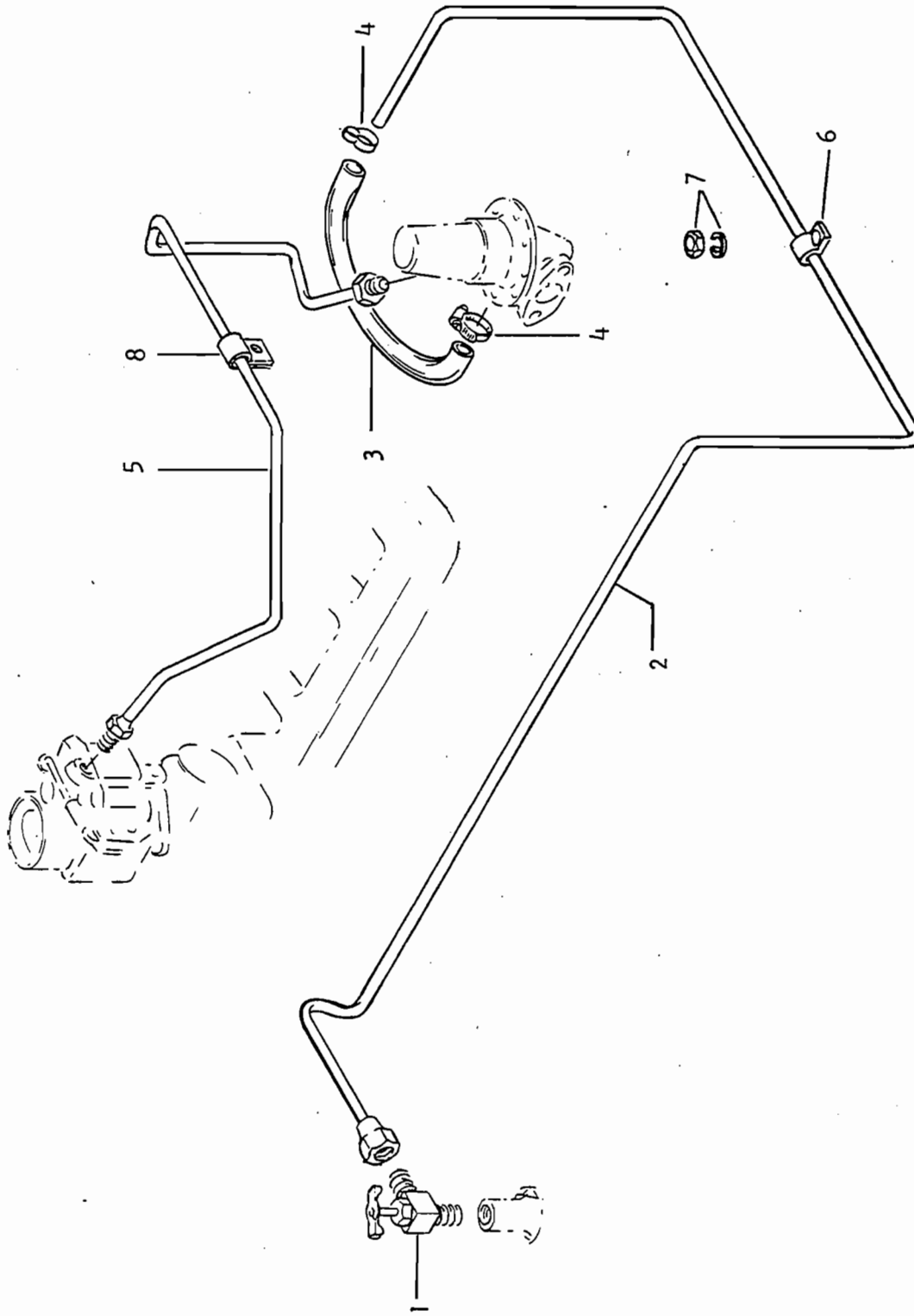
NOV 76

Item	Description (USE ILLUSTRATION 7078-P)	Req'd	CTAE-1-3250 AND ABOVE		Item
1	Pump Assembly, Fuel	1	890384		1
2	Body, Fuel Pump	1	**1		2
3	Arm, Fuel Pump Rocker	1	**1		3
4	Spring, Fuel Pump Rocker Arm	1	**21		4
5	Link, Fuel Pump Rock Arm	1	**21		5
6	Bushing, Rock Arm Link	1	**21		6
7	Washer, Rocker Arm Pin	1	**21		7
8	Pin, Fuel Pump Rocker Arm	1	**21		8
9	Seal, Diaphragm Pull Rod	1	**21		9
10	Retainer, Diaphragm Pull Rod Seal	1	**21		10
11	Spring, Diaphragm Return	1	**21		11
12	Diaphragm & Pull Rod	1	**21		12
13	Valve & Cage Assembly, Fuel Pump	1	**21		13
14	Body, Fuel Pump Upper	1	**1		14
15	Screw, Fuel Pump Body	6	68G-1010J		15
16	Lockwasher	6	17E-10		16
17	Gasket, Filter Housing	1	**17/21		17
18	Filter, Fuel	1	890385		18
19	Cover, Fuel Strainer	1	890728		19
20	Gasket, Fuel Pump Attaching	1	890386		20
21	Bolt, Fuel Pump	2	1C-520J		21
	Lockwasher	2	23E-05		
	Repair Kit, Fuel Pump	1	890729		
				**Not Sold - Use Item Number Listed	

OCT 76

63

X147



REV OCT 79

FUEL LINES

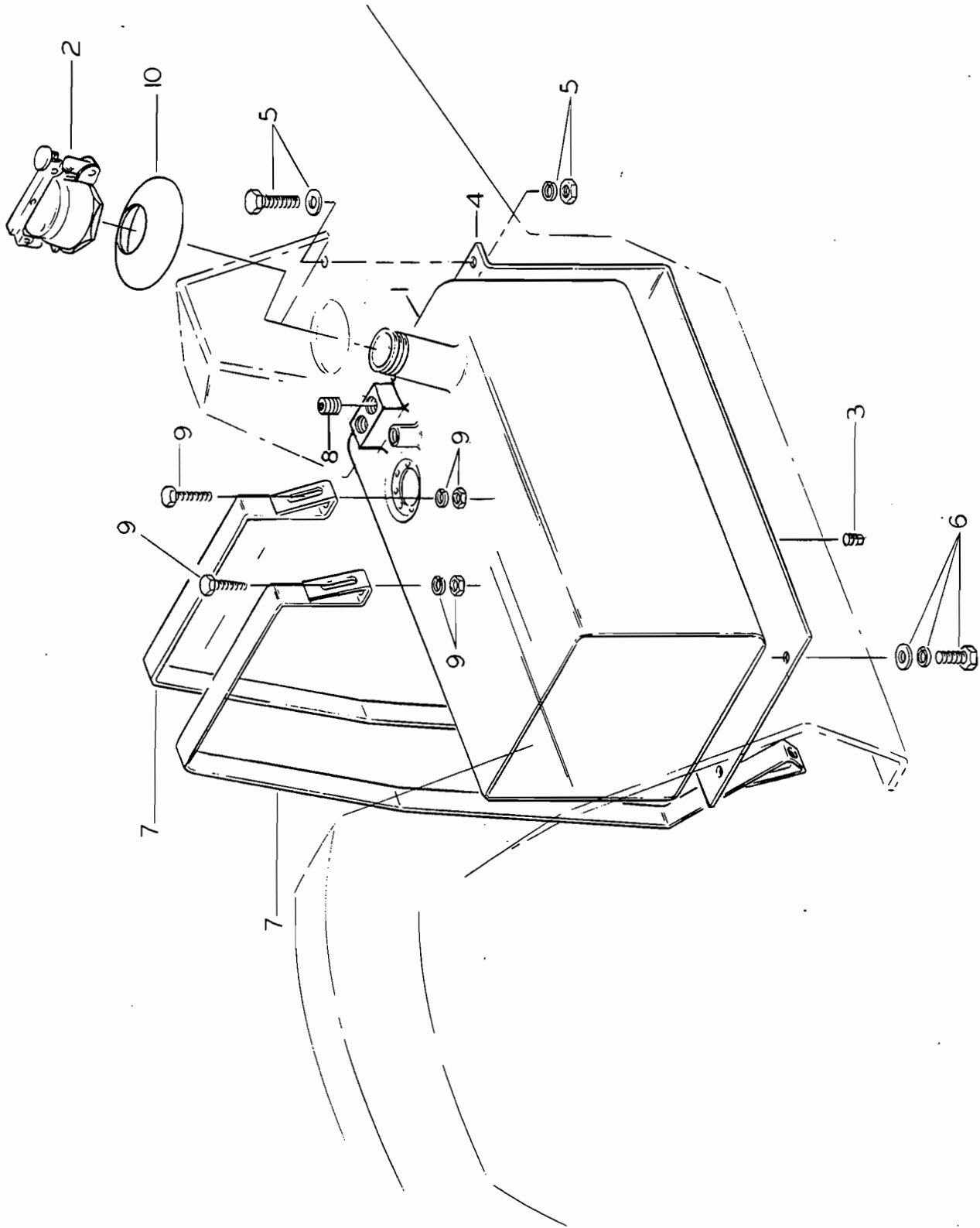
6714-P

Item	Description	Req'd	CTAE-1-3250 thru Lot 3765	CTAE-1-3815 AND ABOVE	Item
1	Valve, Fuel Shut-Off	1	1697389		1
2	Tube Assembly, Fuel Tank to Fuel Pump	1	1697664	2356862	2
3	Hose, Fuel Pump	1	672221		3
4	Clamp, Hose	2	4H11		4
5	Tube Assembly, Fuel Pump to Carburetor	1	996456		5
6	Clip, Tube	1	30H18		6
7	Lockwasher, Clip	1	23E04		7
	Nut	1	61D04J		
8	Clip, Fuel and Vacuum Line	1	906116		8

FEB 80

65

X147



6920-P

FUEL TANK

APR 76

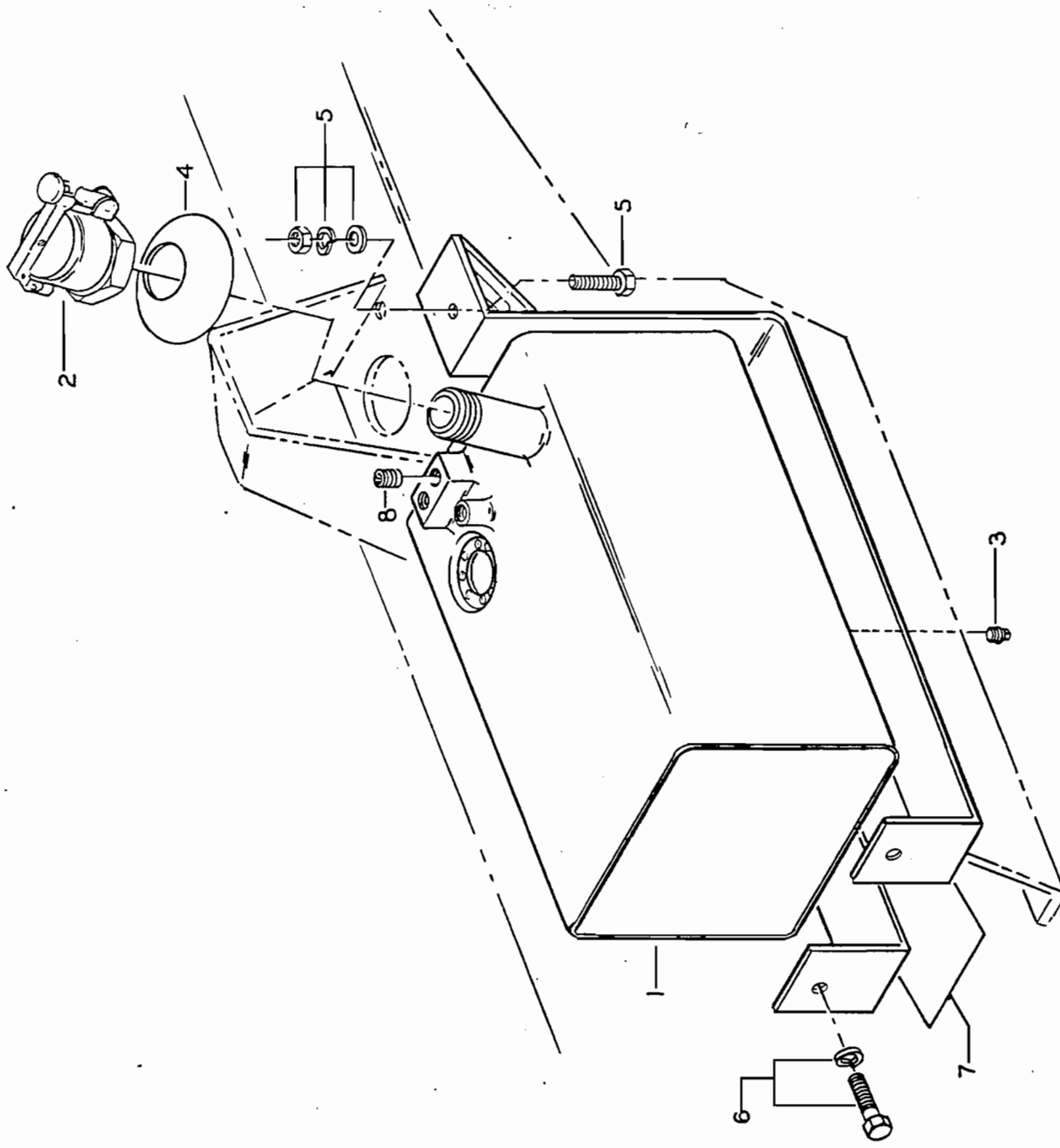
OCT 77

67

X147

Item	FUEL TANK (USE ILLUSTRATION 6920-P)		Req'd	CTAE-1-3250 thru Lot 3251	CTAE-1-3391 thru Lot 3765	Item
	Description					
1	Tank, Fuel		1	1697357	1705491	1
2	Cap, Fuel Tank		1	602345		2
3	Plug, Fuel Tank Drain		1	10F-04		3
4	Plate, Fuel Tank Mounting		1	1697358	2334310	4
5	Bolt, Fuel Tank Plate		2	2C-620J		5
	Lockwasher		2	23E-06		
	Washer		4	619024		
	Nut		2	2D-06J		
6	Bolt		2	2C-620J		6
	Lockwasher		2	23E-06		
	Washer		2	23E-06		
7	Strap, Fuel Tank Mounting		2	741929		7
8	Plug, Fuel Tank		1	Not Used	16F04H	8
9	Bolt, Fuel Tank Mounting Strap		2	1C-524J		9
	Lockwasher		2	23E-05		
	Nut		2	61D-05J		
10	Seal, Fuel Tank Filler Neck		1	604344		10

FUEL TANK

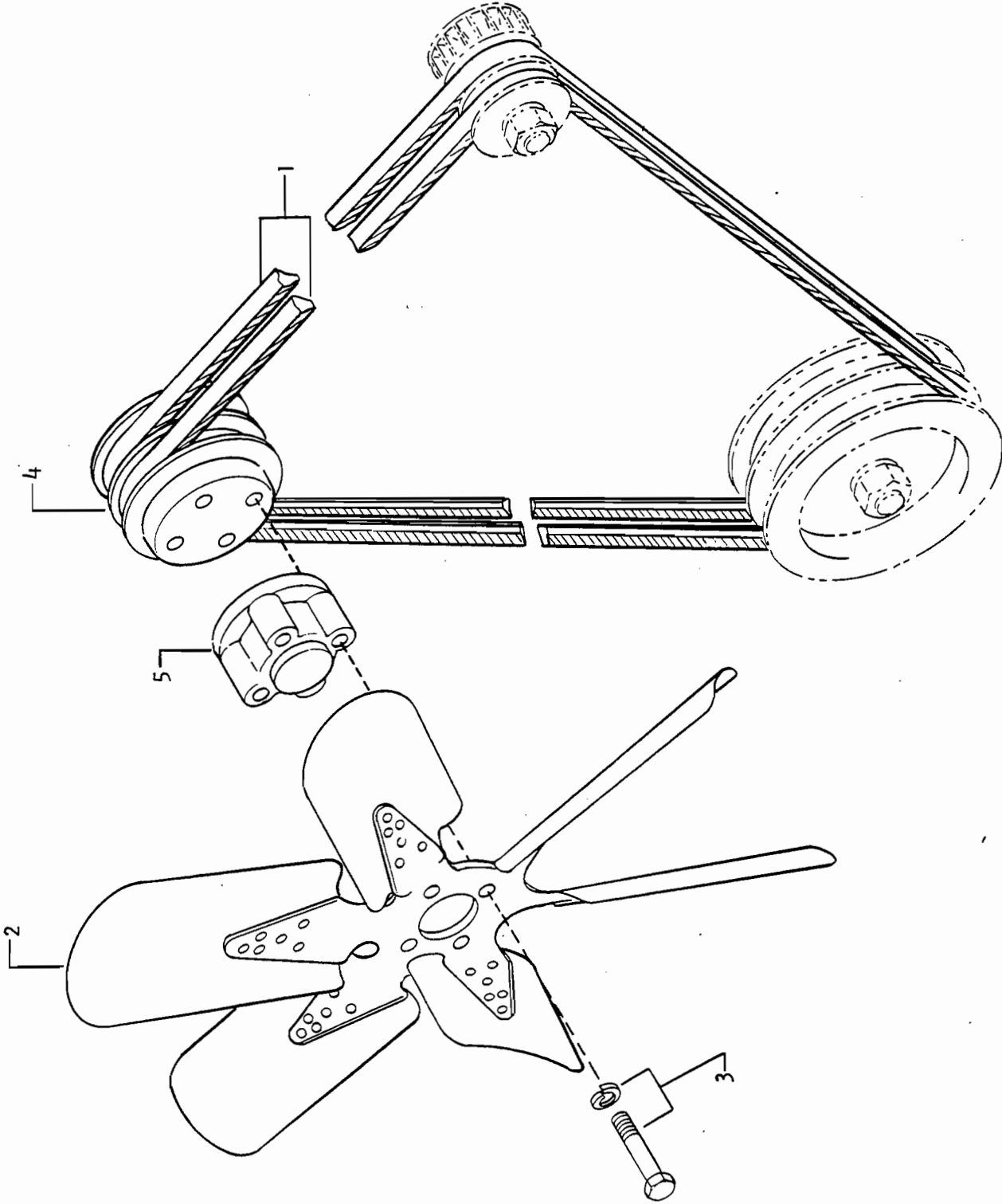


Item	Description (USE ILLUSTRATION 6988-P)	Qty	Part No.	AND ABOVE CTAE-1-3815	Item
1	Tank, Fuel	1	1705491		1
2	Cap, Fuel Tank	1	602345		2
3	Plug, Fuel Tank Drain	1	16F4		3
4	Seal, Fuel Tank Filler Neck	1	604344		4
5	Bolt, Fuel Tank Mounting Strap	2	2C636		5
	Lockwasher	4	23E6		
	Washer	2	25E18		
	Nut	2	62D6		
6	Capcrew, Fuel Tank Mtg Strap	2	2C616		6
	Lockwasher	2	23E6		
7	Strap, Fuel Tank Mounting	2	2352960		7
8	Plug	1	16F4		8

OCT 77

67A

X147



7079-P

FAN AND DRIVE

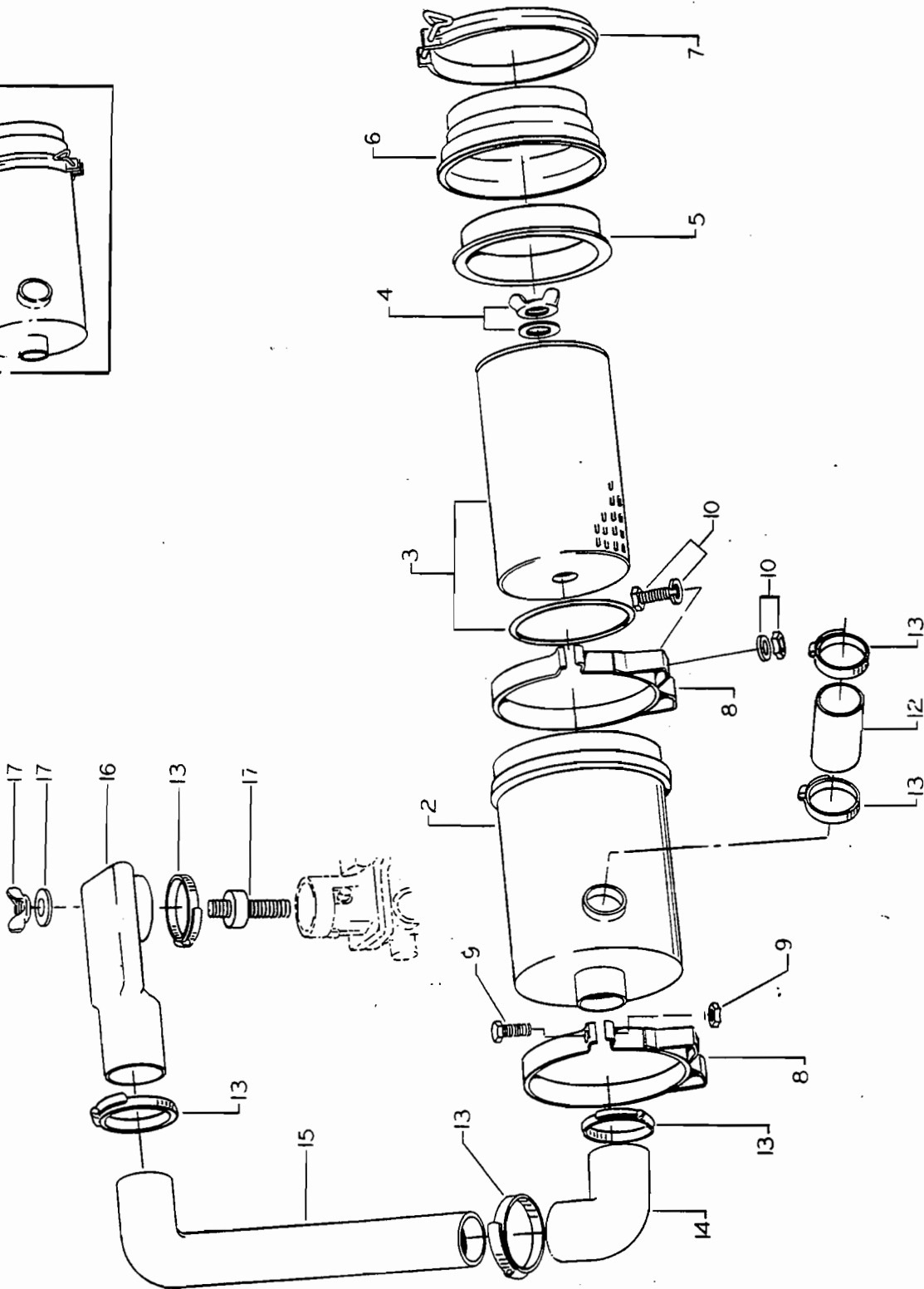
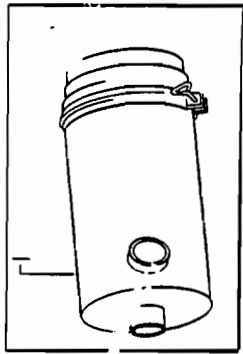
NOV 76

OCT 77

69

X147

Item	FAN AND DRIVE (USE ILLUSTRATION 7079-P)	Req'd	CTAE-1-3250 thru Lot 3765 CTAE-1-3815 AND ABOVE	Item	
1	Description Belt, Fan (Set of 2) Fan Bolt, Fan Lockwasher Pulley, Fan Spacer, Fan Blade	1	669527 890861 895545 23E-05 890862 996464	1	
2		1		1307511	2
3		4			3
4		4			4
5		1			5
	1				



JUL 71

AIR CLEANER INSTALLATION

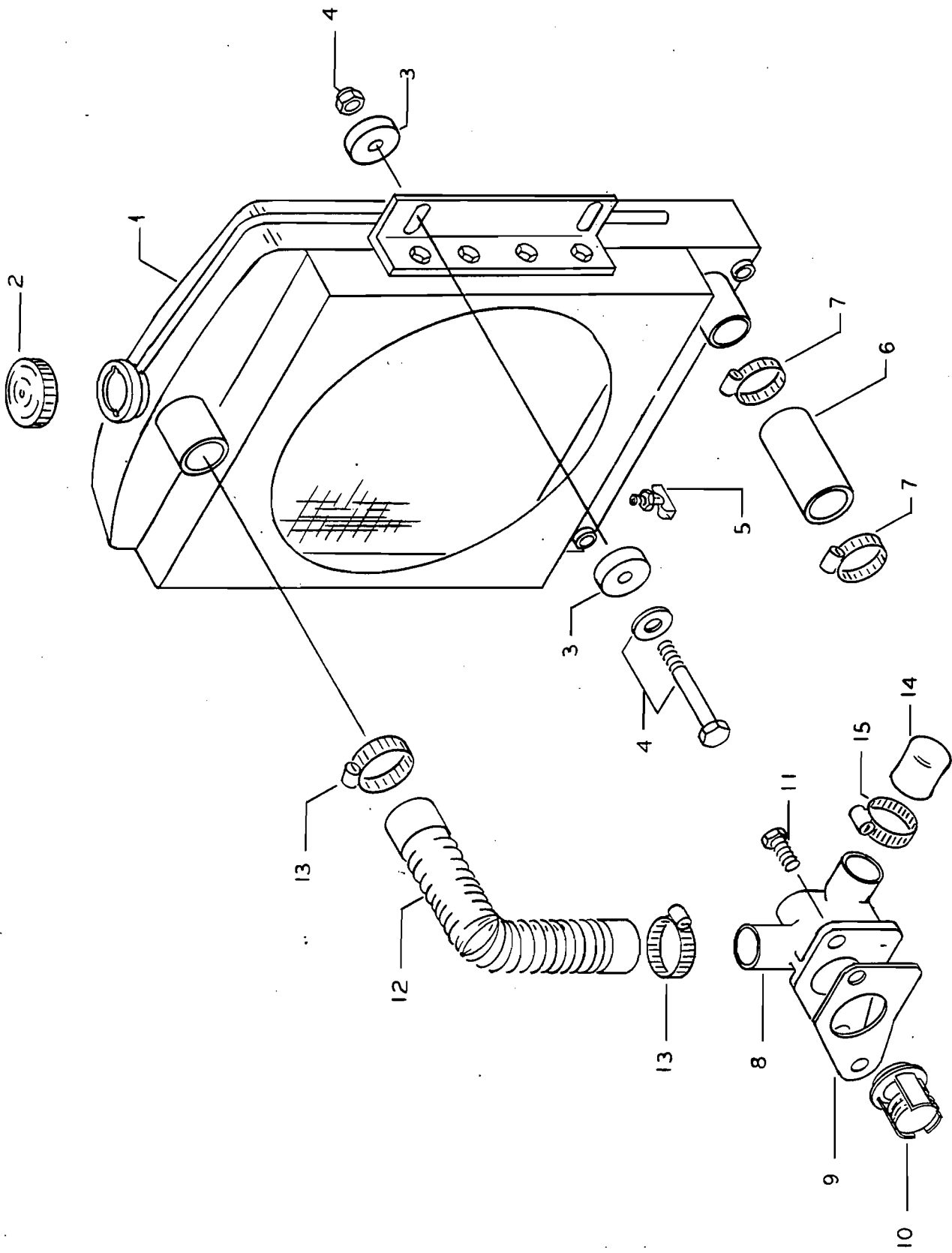
6134-P

Item	Description	Req'd	CTAE-1-3250 AND ABOVE			Item
1	Air Cleaner Assembly, Engine	1	1615458			1
2	Body, Engine Air Cleaner	1	**1			2
3	Element & Gasket, Engine Air Cleaner	1	886525			3
4	Washer, Air Cleaner Element	1	886527			4
	Nut	1	886526			5
5	Baffle, Engine Air Cleaner	1	891024			6
6	Cup, Engine Air Cleaner	1	891025			7
7	Clamp, Engine Air Cleaner	1	866028			8
8	Band, Engine Air Cleaner Support	2	871610			9
9	Bolt, Band Clamping	2	4G-424			10
	Nut	2	24D-04		**Not Sold - Use Item Listed	
10	Bolt, Engine Air Cleaner Support	4	1C-516J			
	Band Bolt					
	Washer	4	664403			
	Lockwasher	4	23E05			
	Nut	4	61D-05J			
12	Hose, Engine Air Cleaner Inlet	1	IM-20040			12
13	Clamp, Hose	6	875248			13
14	Elbow, Engine Air Cleaner Outlet	1	791812			14
15	Tube, Outlet Elbow to Inlet Elbow	1	1697678			15
16	Elbow, Carburetor Air Inlet	1	1797784			16
17	Retainer, Carburetor Air Inlet	1	1797789			17
	Elbow					
	Washer	1	1320027			
	Nut	1	16D04R			

OCT 76

71

X147



6701-P

COOLING SYSTEM

JAN 75

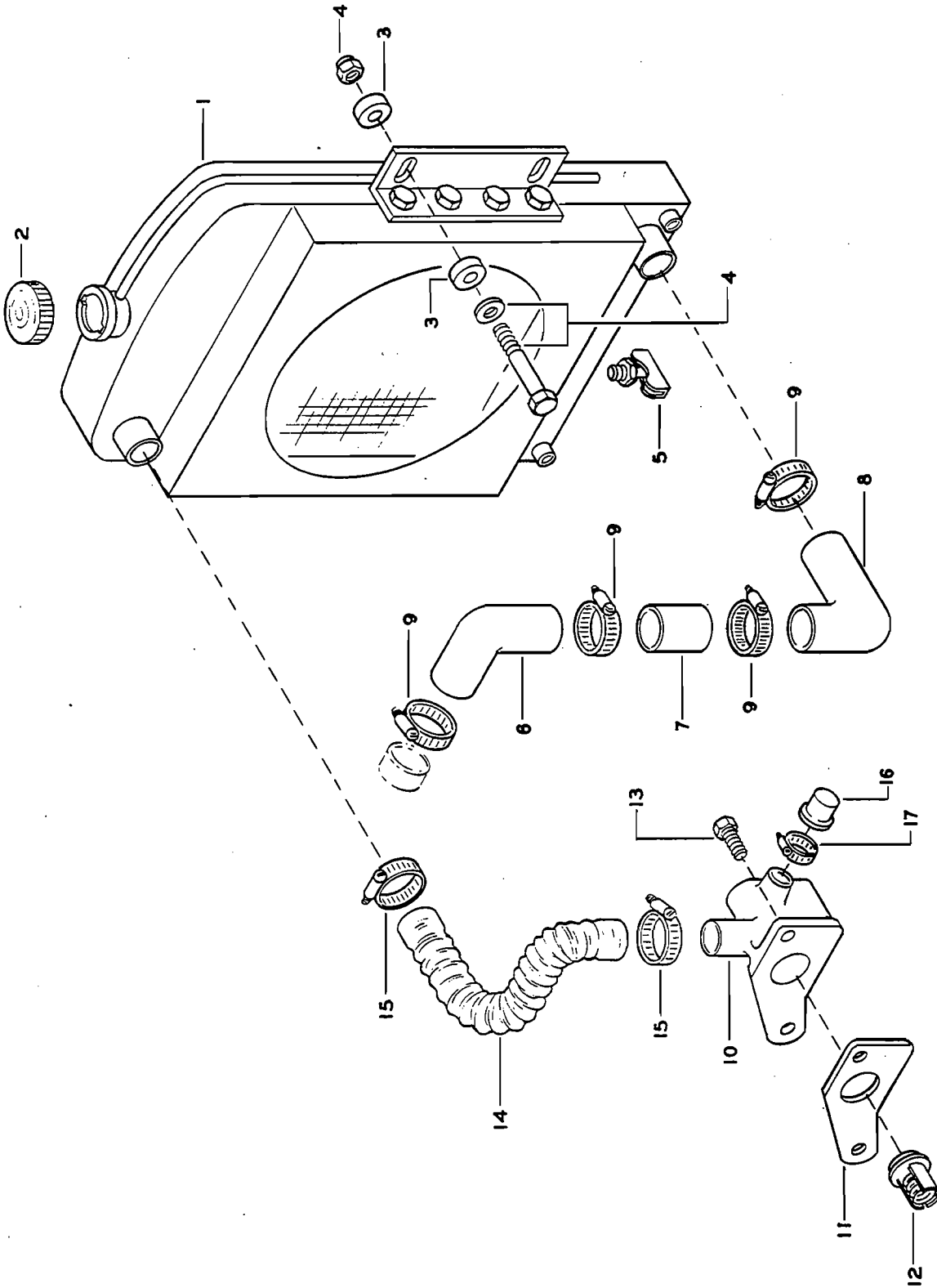
Item	Description	Req'd	Part No.
1	Radiator	1	2339644
2	Cap, Radiator	1	884378
3	Pad, Radiator Support	8	601561
4	Bolt, Radiator Mounting	4	1C624J
	Washer	4	206699
	Locknut	4	17D3
5	Drain Cock, Radiator	1	75F4
6	Hose, Lower Radiator	1	672235
7	Clamp, Hose	2	42H32
8	Elbow, Water Outlet	1	890869
9	Gasket, Water Outlet Elbow (Pkg of 10)	1	899844
10	Thermostat, Engine Water	1	890380
11	Cap screw, Water Outlet Elbow	2	895505
12	Hose, Upper Radiator	1	675094
13	Clamp, Hose	2	42H32
14	Cap, Engine Water Outlet Elbow	1	996362
15	Clamp, Cap	1	867824

CTAE-1-3250
Thru
Lot 3391

JUL 79

73

X147



7090-P

COOLING SYSTEM

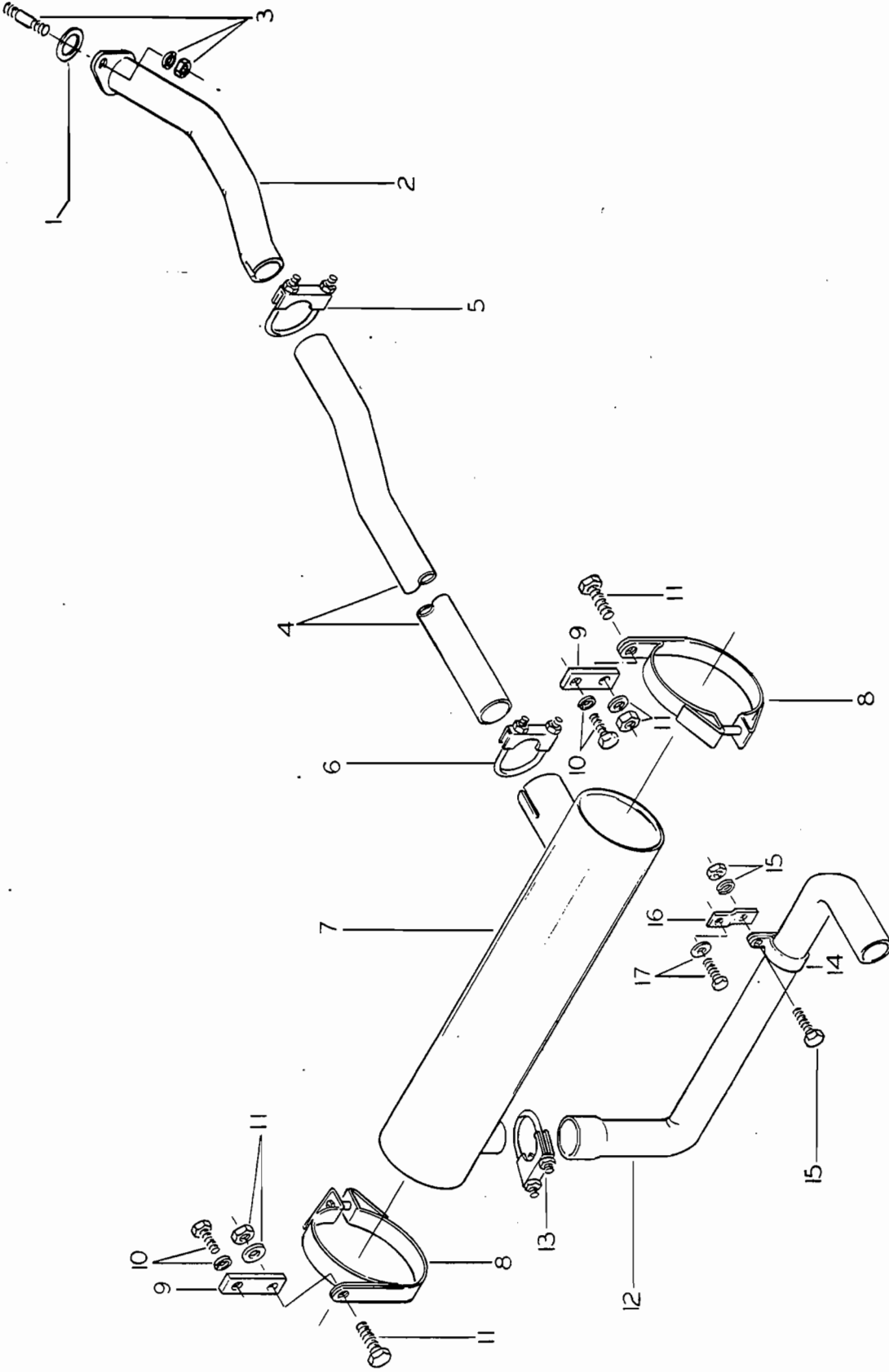
DEC 76

JUL 79

73A

X147

Item	Description (USE ILLUSTRATION 7090-P)	Reqd	CTAE-1-3710 thru Lot 3765	CTAE-1-3815 AND ABOVE	Item
1	Radiator	1	2339644	2352961	1
2	Cap, Radiator	1	905031		2
3	Pad, Radiator Support	8	601561	2308056	3
4	Bolt, Radiator Mounting	4	1C624		4
	Washer	4	206699		
	Washer	4	Not Used	25E17	
	Locknut	4	59D6		
5	Drain Cock, Radiator	1	72F4		5
6	Hose, Radiator Lower	1	668968	Not Used	6
7	Tube, Radiator Lower	1	730370	Not Used	7
8	Hose, Radiator Lower	1	2353203	2360508	8
9	Clamp, Hose	4	42H32		9
10	Housing, Thermostat	1	890869		10
11	Gasket, Water Outlet Elbow (Package of 10)	1	899844	999503	11
12	Thermostat, Engine	1	890380	999502	12
13	Capscrew, Thermostat Housing	2	895505		13
14	Hose, Radiator Upper	1	675094		14
15	Clamp, Hose	2	42H32		15
16	Cap, Engine Water Outlet Elbow	1	996362		16
17	Clamp, Cap	1	867824		17

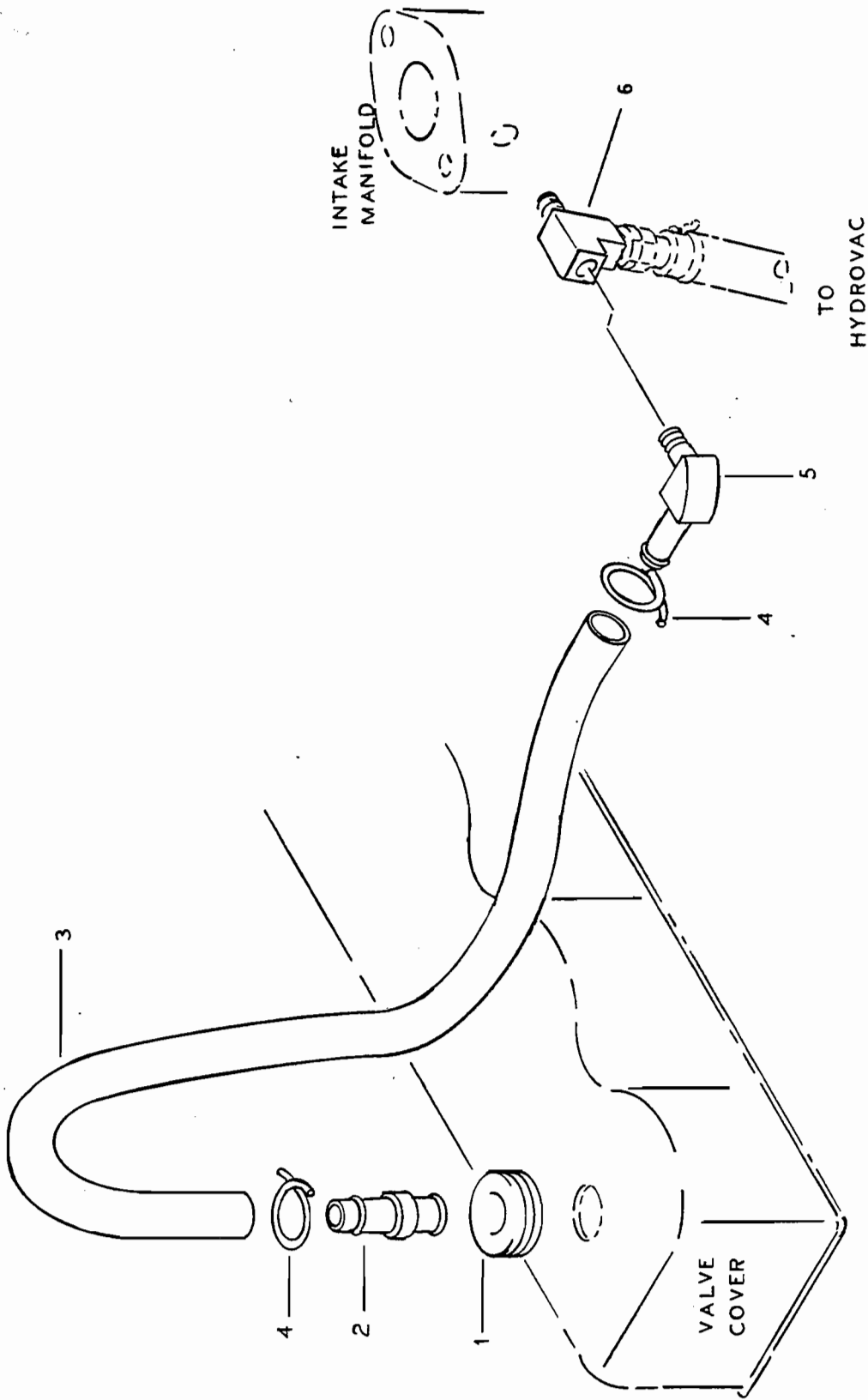


6969-P

EXHAUST SYSTEM

OCT 76

Item	Description	Req'd	CTAE-1-3250 thru		AND ABOVE	Date	Page
			CTAE-1-3815	Lot 3765			
1	Gasket, Exhaust Pipe to Manifold	1	1697341			OCT 77	75
2	Pipe, Exhaust	1	1732305	2353647			
3	Flange	1	Not Used	2349056			
4	Bolt, Exhaust Pipe to Manifold	2	1C720	1C724			
5	Lockwasher	2	23E7				
6	Pipe, Rear Exhaust	1	320144				
7	Clamp, Exhaust Pipe	1	659179				
8	Clamp, Exhaust Pipe to Muffler	1	659179				
9	Muffler	1	1637647				
10	Clamp, Muffler Mounting	2	610301				
11	Strap, Muffler Mounting	2	2340649				
12	Cap screw, Muffler Mounting	2	1C412				
13	Washer	2	664402				
14	Bolt, Muffler Mounting	2	1C516				
15	Washer	2	664403				
16	Nut	2	59D5				
17	Pipe, Tail	1	1799444	2352819			
18	Clamp, Tail Pipe to Muffler	1	659179				
19	Clamp, Tail Pipe Support	1	628823				
20	Cap screw, Tail Pipe Support Clamp	1	1C412				
21	Washer	1	664402				
22	Strap, Tail Pipe Vibration	1	2340649				
23	Bolt, Tail Pipe Vibration Dampener	1	1C516				
24	Washer	1	664403				
25	Nut	1	59D5				



6711-P

CRANKCASE VENTILATION SYSTEM

JAN 75

OCT 77

77

x147

Item	
1	1
2	1
3	1
4	2
5	1
6	1
AND ABOVE	
CTAE-1-3815	999499
Lot 3765	999515
CTAE-1-3250 thru	997553
	997552
	999530

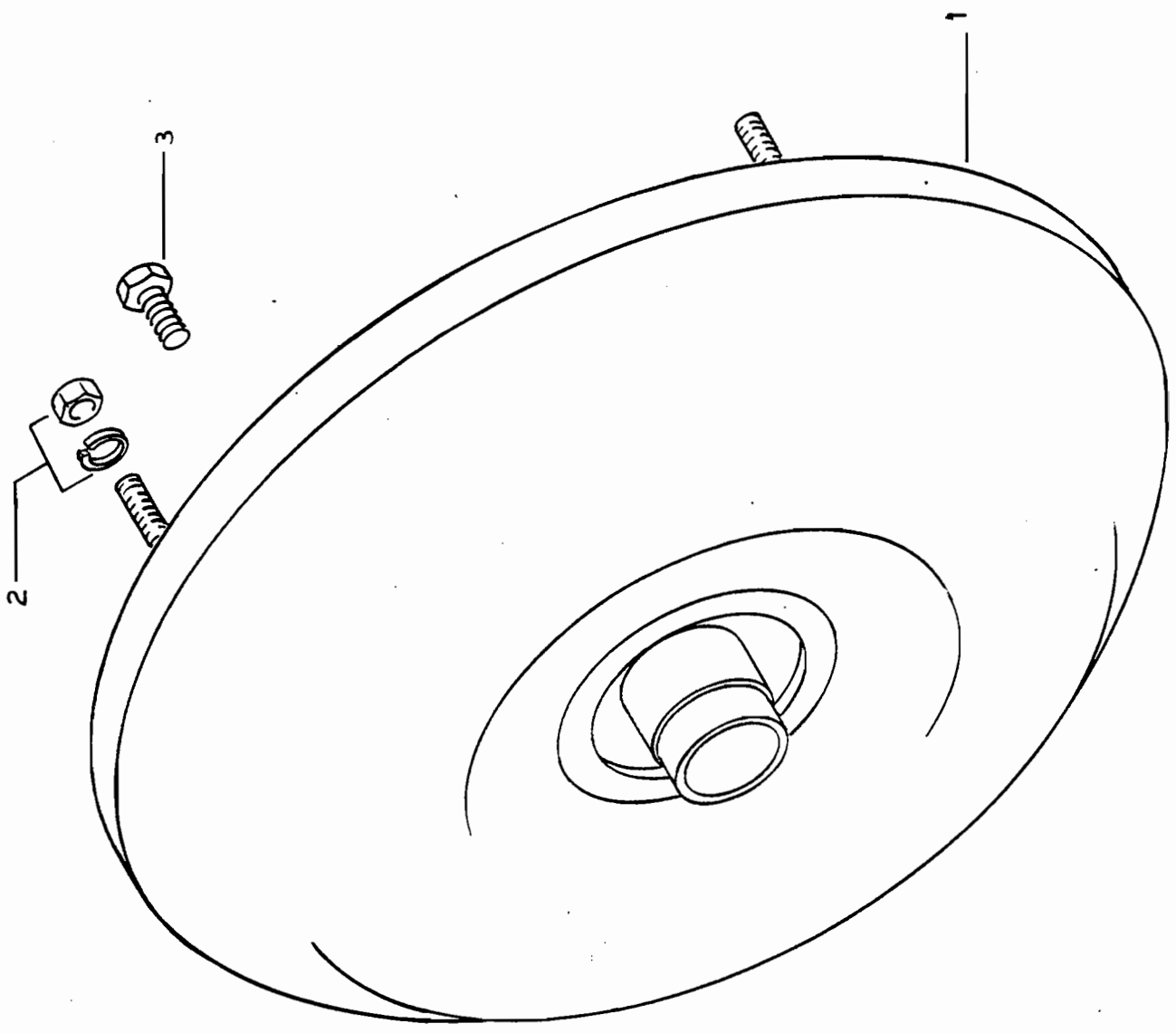
CRANKCASE VENTILATION SYSTEM
(USE ILLUSTRATION 6711-P)

Description

- 1 Grommet, PCV Valve
- 2 Valve, PCV
- 3 Hose, PCV Line
- 4 Clamp, Hose
- 5 Elbow, Hose
- 6 Tee, Intake Manifold

Req'd

Item

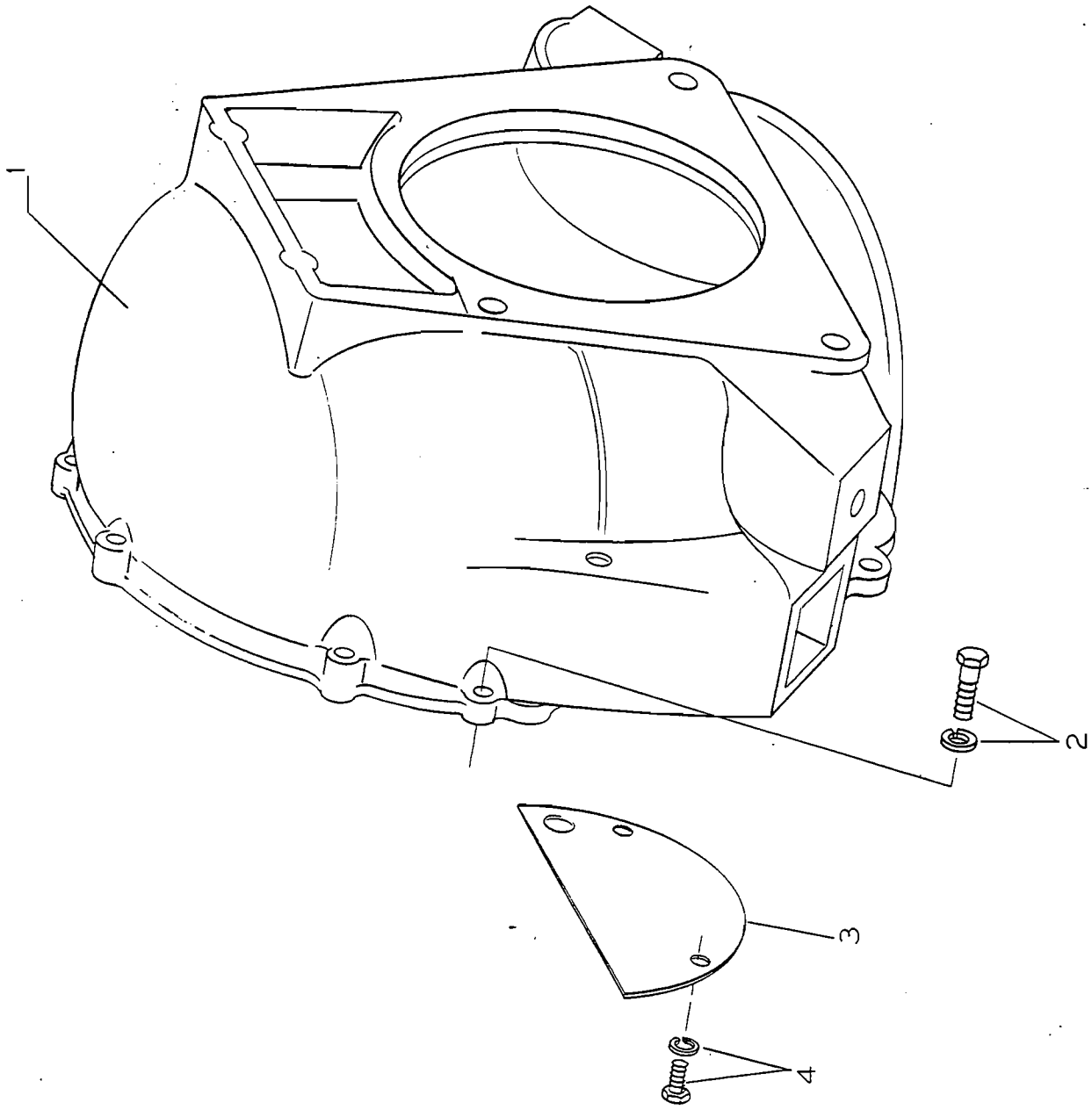


MAY 78

79

X147

Item	Description	Req'd	CTAE-1-3250 thru Lot 3765	CTAE-1-3815 AND ABOVE	Item
1	Converter, Torque	1	990339	999641	1
2	Nut, Converter to Flywheel	4	890989		2
3	Washer	4	994511		3
3	Plug, Torque Converter Drain	2	994541	905195	



6710-P

TORQUE CONVERTOR HOUSING

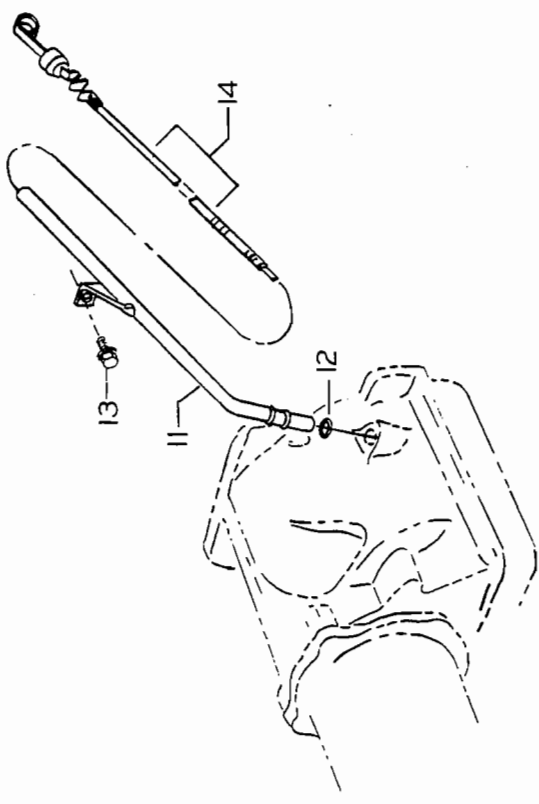
JAN 75

Item	Description	Req'd	CTAE-1-3250 thru Lot 3765
1	Housing, Torque Converter	1	890985
2	Capscrew, Torque Converter Housing to Engine	6	1C740J
3	Lockwasher	6	23E07H
4	Cover, Torque Converter Housing, Lower	1	890986
4	Capscrew, Torque Converter Housing - Lower Cover	3	994540

MAY 78

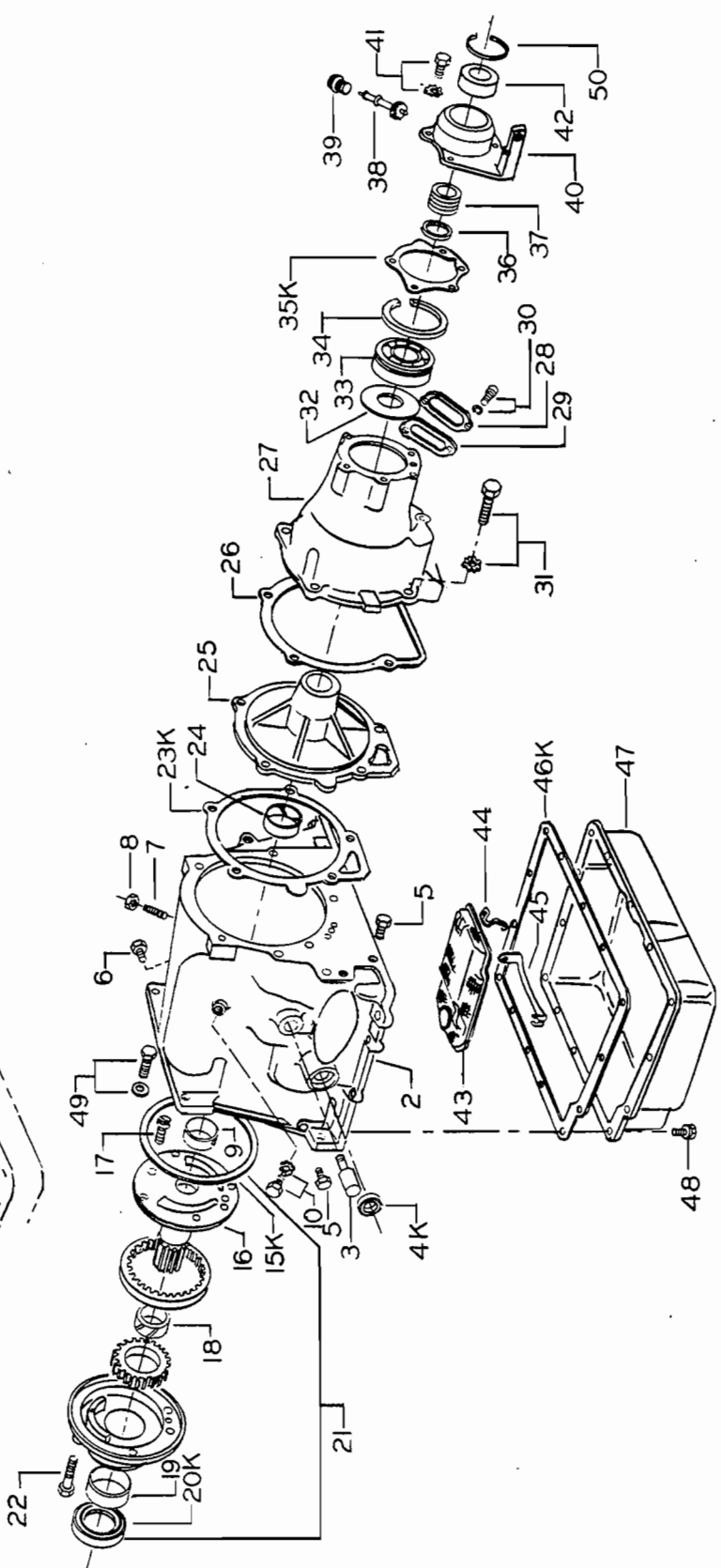
81

X147



TRANSMISSION ASSEMBLY

GASKET KIT INCLUDES ITEMS MARKED "K"

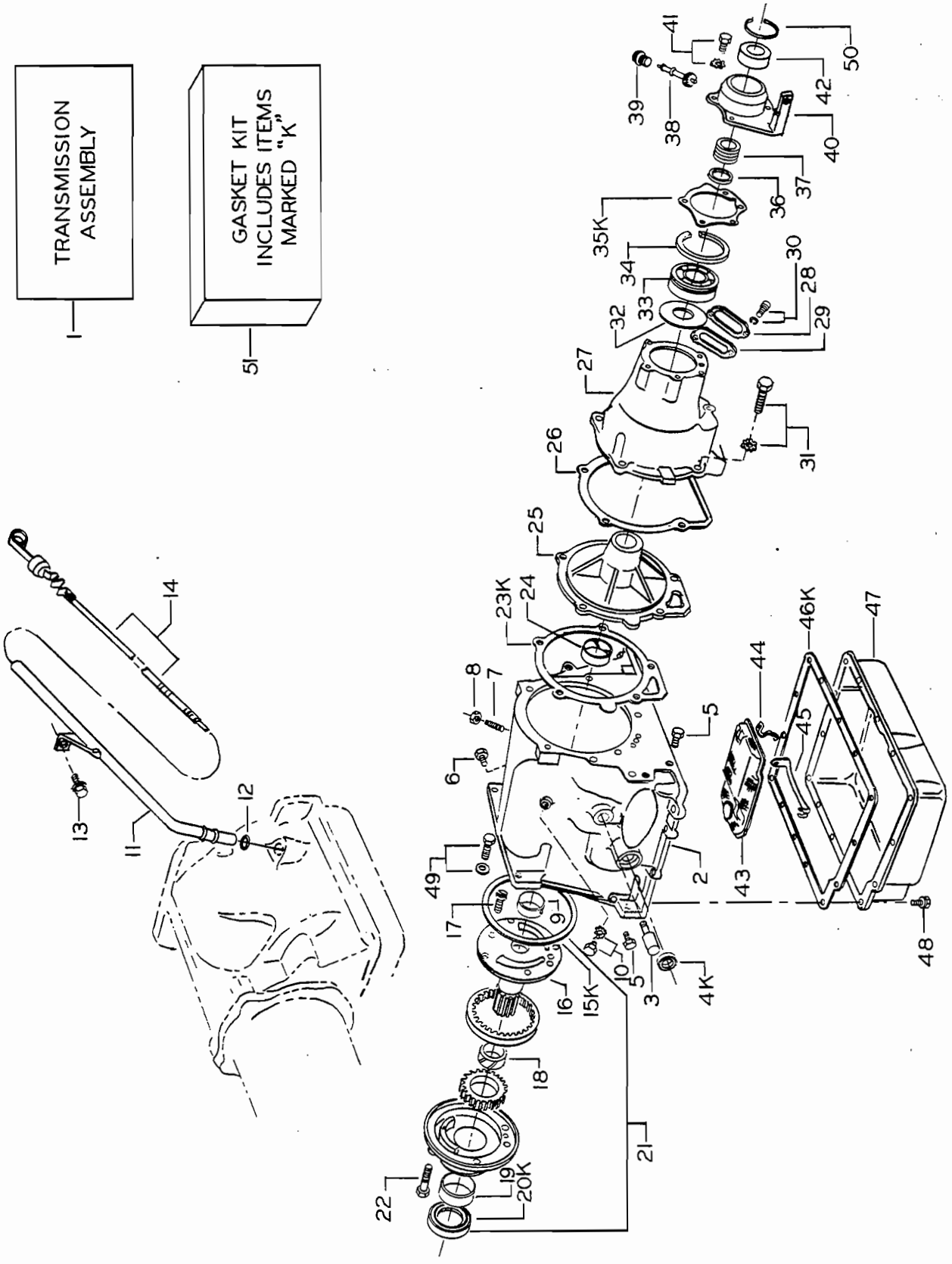


MAY 78

83

X147

Item	TRANSMISSION ASSEMBLY (USE ILLUSTRATION 6921-P)	Req'd	CTAE-1-3250 thru Lot 3765	Description	Item
1	Transmission Assembly	1	994319		1
2	Case Assembly, Transmission (Incl. Items 3 thru 9)	1	994320		2
3	Pin, Pawl Toggle Lever Support	1	998650		3
4	Seal, Manual Control Lever	1	990625		4
5	Plug, Transmission Case	2	994541		5
6	Plug, Transmission Case	1	40K04		6
7	Screw, Rear Band Adjusting	1	895720		7
8	Locknut, Rear Band Adjusting Screw	1	8D08J		8
9	Bushing, Transmission Case	1	895719		9
10	Capscrew, Planetary Gear Support Lockwasher	1	895813		10
11	Tube, Transmission Oil Filler	1	5E06		11
12	O-Ring, Trans. Oil Filler Tube	1	994340		12
13	Capscrew, Trans. Oil Filler Tube	1	25K30018		13
14	Dipstick, Transmission Oil Level	1	1C610		14
15	Gasket, Front Oil Pump	1	994339		15
16	Stator Support, Converter (Includes Item 19)	1	895680		16
17	Capscrew, Converter Stator Support Lockwasher	2	990606		17
18	Bushing, Converter Stator Support	2	1G1012		18
19	Bushing, Front Oil Pump	1	17E10		19
20	Seal, Front Oil Pump	1	990607		20
21	Pump, Front Oil (Incl. Items 16 thru 20)	1	994849		21
22	Capscrew, Front Oil Pump	4	990611		22
23	Gasket, Rear Support	1	990338		23
24	Bushing, Rear Support	1	1C532		24
25	Support, Rear Oil Distributor Sleeve, Trans. Clutch and Governor	1	994514		25
26	Gasket, Extension Housing	1	998651		26
27	Housing, Extension (Includes Items 28, 29 & 30)	1	996196		27
28	Cover, Extension Housing	1	895553		28
29	Gasket Extension Housing Cover	1	895722		29
30	Screw, Extension Housing Cover Lockwasher	2	895557		30
31	Capscrew, Extension Housing	4	895558		31
		1	895725		
		1	47G408		
		2	940613		
		4	17C-620J		
		1	1C660		



JUN 76

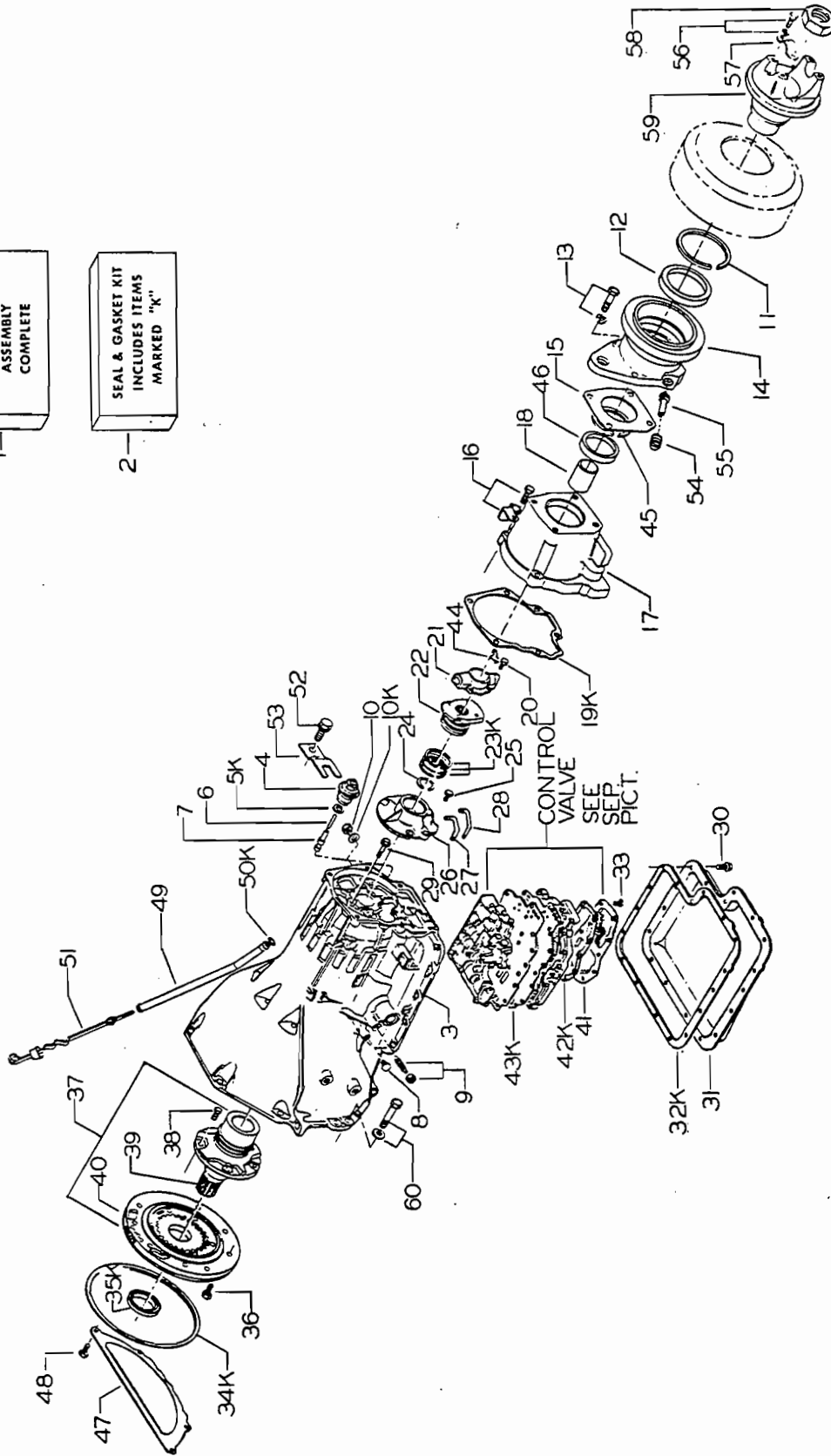
TRANSMISSION ASSEMBLY

6921-P

Item	MAY 78	85	x147
<p>CONT. TRANSMISSION ASSEMBLY (USE ILLUSTRATION 6921-P)</p> <p>Description</p>	<p>Req'd</p>	<p>CTAE-1-3250 thru Lot 3765</p>	
31	Lockwasher	5	784469
	Washer	1	5E06
32	Spacer, Output Shaft Bearing	1	895724
33	Bearing, Output Shaft	1	895726
34	Snap Ring, Output Shaft Bearing	1	877627
35	Gasket, Output Shaft Bearing Retainer	1	994515
36	Spacer, Speedometer Gear	1	895560
37	Gear, Speedometer Drive	1	895561
38	Gear, Speedometer Drive	1	895562
39	Plug, Speedometer Drive Hole	1	980844
40	Retainer, Output Shaft Bearing	1	895559
41	Capscrew, Output Shaft Bearing Retainer	1	150632
	Capscrew, Output Shaft Bearing Retainer	4	10618
42	Lockwasher	5	5E06
43	Seal, Output Shaft Screen, Oil Pan (Includes Items 44 & 45)	1	224638
44	Clip, Oil Pan Screen	1	994530
45	Clip, Oil Pan Screen	1	994531
46	Gasket, Oil Pan	1	994529
47	Oil Pan, Transmission	1	994341
48	Capscrew, Oil Pan Lockwasher	14	10510J
49	Capscrew, Transmission Mounting Lockwasher	14	23E05J
50	Snap Ring, Output Shaft Seal Retaining	4	17C740J
51	Gasket Kit, Transmission	4	23E07H
		1	3312439
		1	994344

1- TRANSMISSION ASSEMBLY COMPLETE

2- SEAL & GASKET KIT INCLUDES ITEMS MARKED "K"

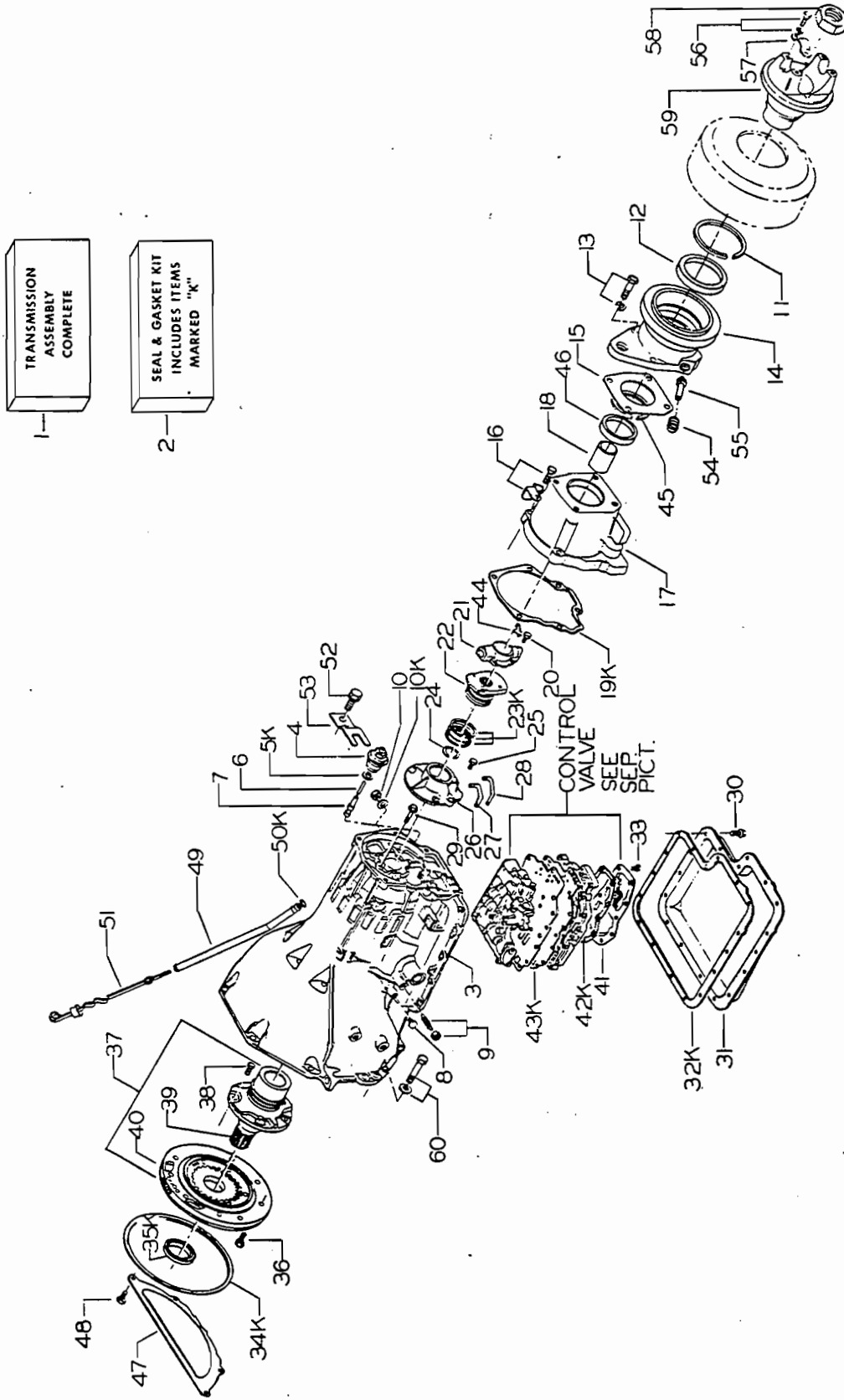


MAY 78

83A

X147

Item	Description	Req'd	CTAE-1-3815 AND ABOVE
1	Transmission Assembly	1	999573
2	Transmission Seal & Gasket Kit	1	999692
3	Case Assembly, Transmision	1	999693
4	Shift Modulator	1	999694
5	Gasket, Shift Modulator	1	999696
6	Rod Kl, Shift Modulator	1	999697
7	Valve, Shift Modulator	1	999698
8	Plug, Transmission Case	2	994541
9	Screw, Intermediate Band Adjusting	1	905110
10	Locknut	1	999761
	Connector, Oil Tube	2	905111
	O-Ring	2	905112
11	Snap Ring, Output Shaft Oil Seal	1	3312439
12	Seal, Output Shaft Oil	1	905113
13	Capscrew, Output Shaft Brg Retainer	5	1C632
	Lockwasher	5	5E6
14	Housing, Output Shaft Bearing	1	999699
15	Gasket, Output Shaft Brg Housing	1	999700
16	Capscrew, Extension Housing (Short)	2	905114
	Capscrew, Extension Housing (Long)	4	905115
17	Extension Housing	1	999701
18	Bushing, Extension Housing	1	905116
19	Gasket, Extension Housing	1	999702
20	Capscrew, Governor Body	4	1C412
	Lockwasher	4	23E4
21	Body, Governor	1	999703
	Retainer	1	905117
22	Body, Governor Oil Collector	1	999704
23	Seal Ring, Governor	3	905118
24	Snap Ring, Output Shaft	1	905117
25	Capscrew, Oil Distributor Sleeve	4	1C516
26	Sleeve, Oil Distributor	1	999705
27	Tube, Oil Distributor Inlet	1	905120
28	Tube, Oil Distributor Outlet	1	905121
29	Capscrew, Overrunning Clutch Case	5	905122
30	Capscrew, Transmission Oil Pan	17	994528
31	Pan, Transmission Oil	1	999706
32	Gasket, Pan	1	999707
33	Capscrew, Control Valve (Long)	1	1C424
	Capscrew, Control Valve (Short)	1	1C416
34	Seal, Front Oil Pump (Large)	6	905123



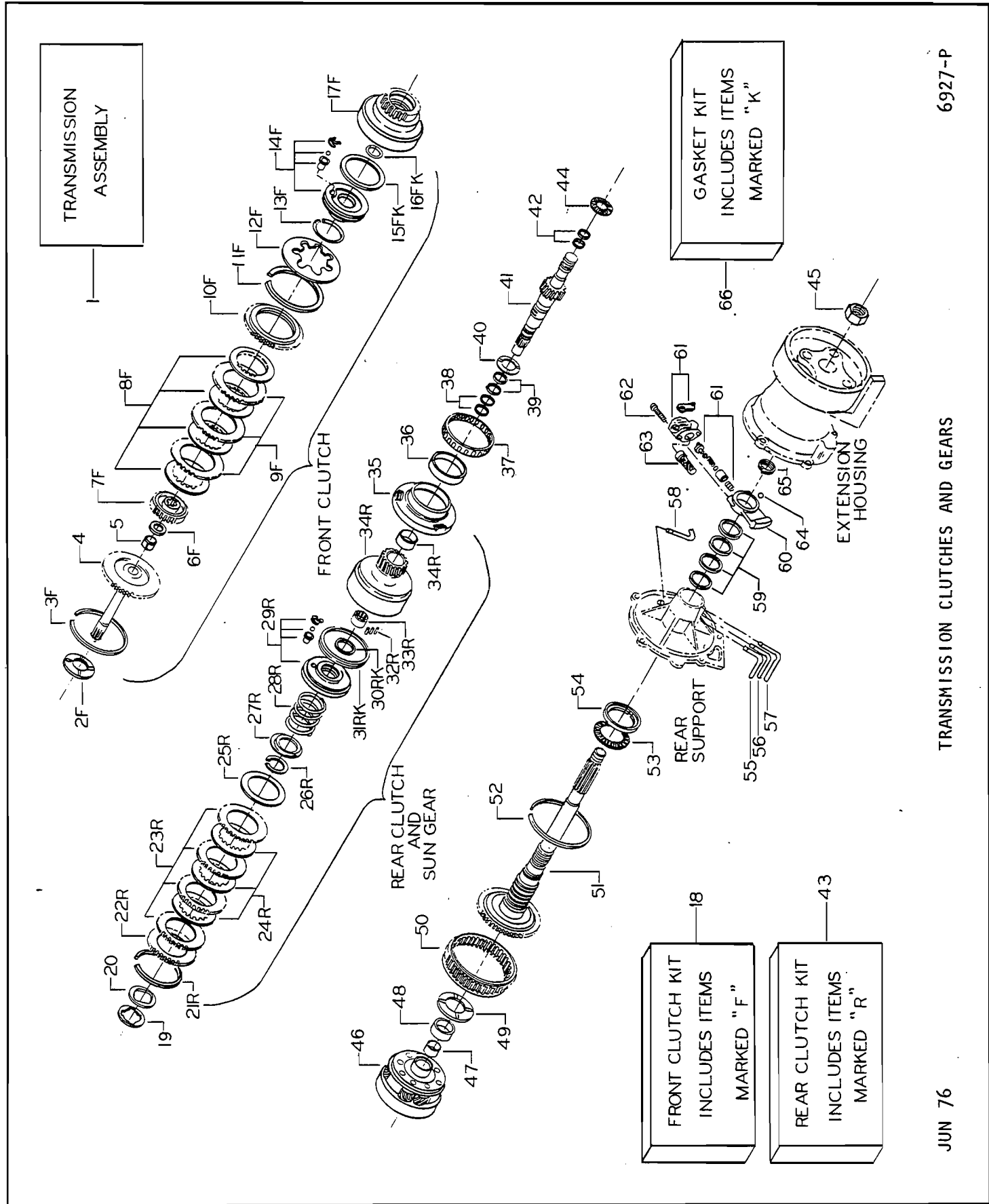
Item	CONT'D TRANSMISSION ASSEMBLY (USE ILLUSTRATION 7151-P) Description	Req'd	CTAE-1-3815 AND ABOVE	Use Item #17					Item
35	Seal, Front Oil Pump (Small)	1	990611						35
36	Capscrew, Front Oil Pump	7	1C520						36
37	Pump Assembly, Front Oil	1	999642						37
	Gasket, Pump Mounting	1	999708						
38	Capscrew, Stator Support	5	1C512						38
39	Stator Support, Converter	1	999709						39
40	Pump, Front Oil	1	N.S.S. -						40
	Bushing, Front Oil Pump	1	994849						
41	Screen Assembly, Oil Pan	1	999710						41
42	Gasket, Oil Pan Screen	1	999711						42
43	Gasket, Valve Body Separator	1	999712						43
44	Retainer, Governor Valve Spring	1	905124						44
45	Snap Ring, Output Shaft Bearing	1	877627						45
46	Bearing, Output Shaft	1	895726						46
47	Cover, Converter Housing	1	999797						47
48	Capscrew, Converter Housing Cover	4	1862508						48
49	Dipstick Tube, Transmission	1	999798						49
50	O-Ring, Dipstick Tube	1	25K30018						50
51	Dipstick, Transmission	1	999799						51
52	Capscrew, Shift Modulator Clip	1	994528						52
53	Clip, Shift Modulator	1	999695						53
54	Plug, Speedometer Drive Gear	1	999800						54
55	Speedometer Drive Gear	1	999801						55
56	Capscrew, Prop Shaft Cross Strap	4	999554						56
	Lockwasher	4	905133						
57	Strap, Prop Shaft Cross	2	999524						57
58	Nut, Output Flange	1	994521						58
59	Flange, Output	1	999802						59
60	Capscrew, Transmission	6	1C736						60
	Lockwasher	6	23E7						

MAY 78

85A

X147

CTAE-1-3815

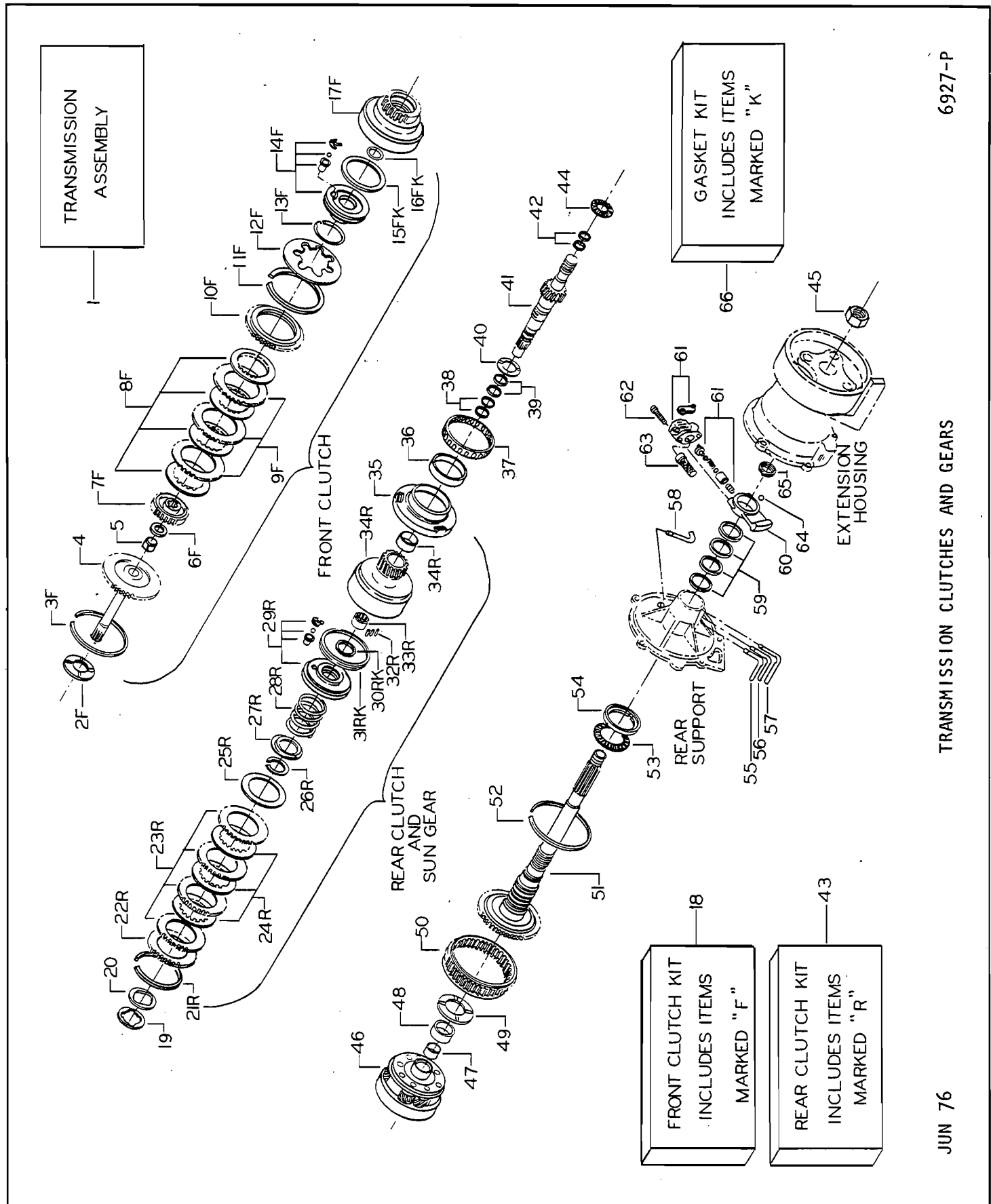


MAY 78

87

x147

Item	Description	Reqd	CTAE-1-3250 thru Lot 3765	Item
1	Transmission Assembly	1	994319	1
2	Thrust Washer, Input Shaft	1	27E22	2
3	Snap Ring, Front Clutch Plate	1	990626	3
4	Shaft, Input (Includes Item 5)	1	994326	4
5	Bushing, Input Shaft	1	730828	5
6	Thrust Washer, Front Clutch Hub	1	895633	6
7	Hub, Front Clutch	1	994345	7
8	Plate, Front Clutch (Internal Spline)(Std.)	5	998504	8
	Plate, Front Clutch (Internal Spline)(.015" o/s)(Set of 5 Plates)	1	998505	
	Plate, Front Clutch (Internal Spline)(.030" o/s)(Set of 5 Plates)	4	998506	
9	Plate, Front Clutch (External Spline)	4	895412	9
10	Pressure Plate, Front Clutch	1	994347	10
11	Snap Ring, Front Clutch Pressure Plate	1	895634	11
12	Spring, Front Clutch Piston Disc	1	895415	12
13	Ring, Front Clutch Piston Disc	1	994532	13
14	Piston, Front Clutch	1	994348	14
15	Seal, Front Clutch Piston	1	994533	15
16	Seal, Front Clutch Cylinder	1	994538	16
17	Cylinder, Front Clutch	1	994349	17
18	Clutch Pack Kit, Front (Std.)	1	1810790	18
	Clutch Pack Kit, Front (.015" o/s)	1	1811047	
	Clutch Pack Kit, Front (.030" o/s)	1	1811048	
19	Thrust Washer, Secondary Sun Gear - Outer	1	994535	19
20	Thrust Washer, Secondary Sun Gear - Inner	1	994350	20
21	Snap Ring, Rear Clutch Plate (Std.)	1	990626	21
	Snap Ring, Rear Clutch Plate (.104" Thick)	1	994356	
	Snap Ring, Rear Clutch Plate (.090" Thick)	1	994355	
	Snap Ring, Rear Clutch Plate (.062" Thick)	1	994539	



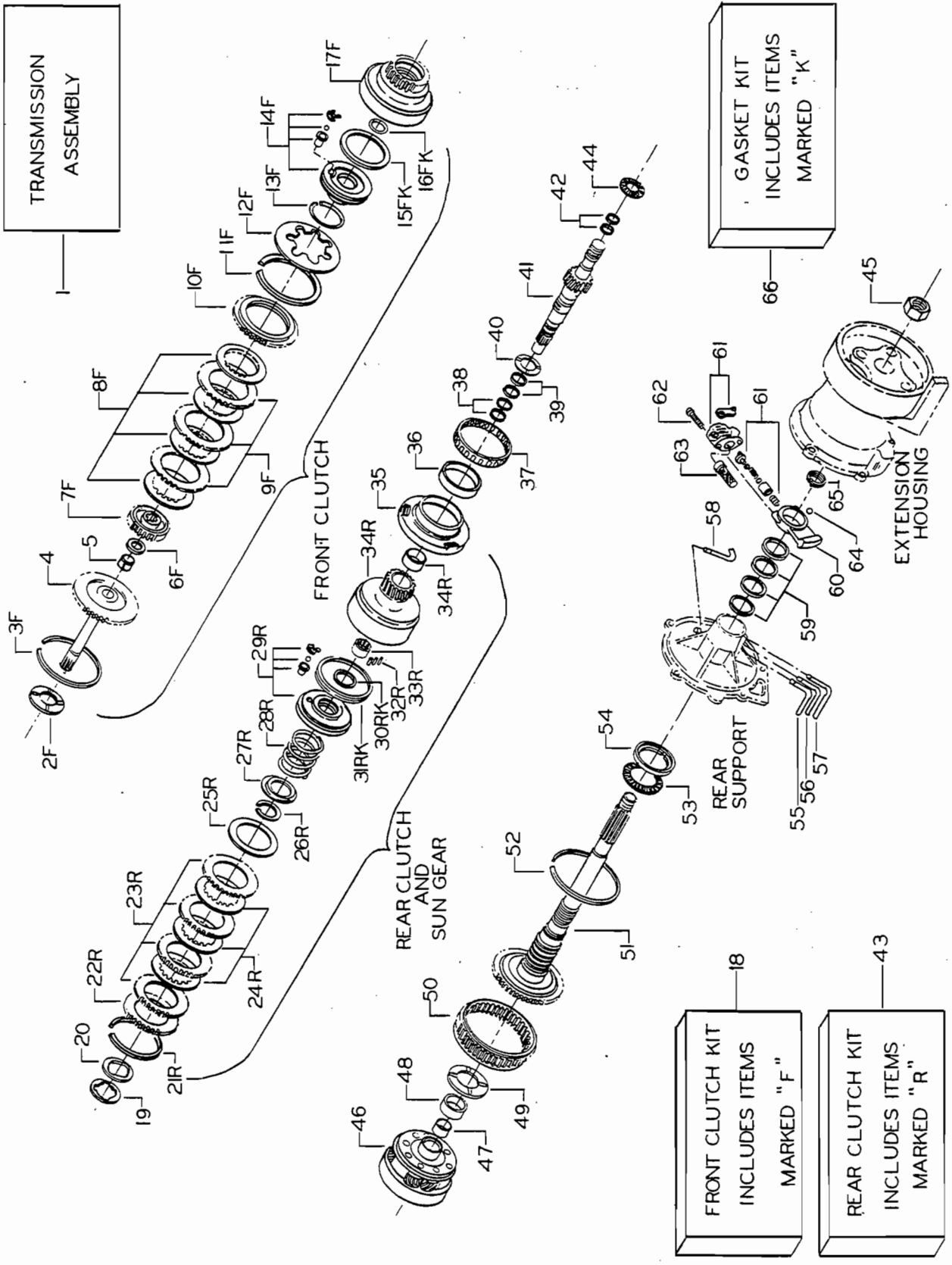
6927-P

TRANSMISSION CLUTCHES AND GEARS

JUN 76

TRANSMISSION CLUTCHES AND GEARS (USE ILLUSTRATION 6927-P)		Req'd	CTAE-1-3250 thru Lot 3765		MAY 78		89		*x147	
Item	Description									Item
22	Pressure Plate, Rear Clutch	1	895420							22
23	Plate, Rear Clutch (External Spline)	4	895412							23
24	Plate, Rear Clutch (Internal Spline)	4	994346							24
25	Spring, Rear Clutch Pressure Plate	1	994357							25
26	Snap Ring, Rear Clutch Piston Spring Retaining	1	994536							26
27	Seat, Rear Clutch Piston Spring	1	994352							27
28	Spring, Rear Clutch Piston	1	895423							28
29	Piston, Rear Clutch	1	994353							29
30	Seal, Rear Clutch Piston - Inner	1	994534							30
31	Seal, Rear Clutch Piston - Outer	1	994537							31
32	Roller, Rear Clutch Sun Gear Front Bearing	39	998671							32
33	Bearing, Rear Clutch Sun Gear Front	1	**32							33
34	Drum & Secondary Sun Gear (Front Brake) (Includes Items 32 & 33)	1	994354							34
35	Support, Planetary Gears	1	994329							35
36	Bushing, Planet Support	1	**35							36
37	Clutch, Planetary	1	895571							37
38	Seal, Primary Sun Gear - Front	2	994522							38
39	Seal, Primary Sun Gear - Intermediate	2	994523							39
40	Thrust Washer, Front Clutch Sun Gear - Front	1	994524							40
41	Gear, Primary Sun	1	994327							41
42	Seal, Primary Sun Gear - Rear	2	895729							42
43	Clutch Pack Kit, Rear	1	1810791							43
44	Thrust Bearing, Primary Sun Gear	1	996523							44
45	Nut, Parking Brake Drum Flange	1	994521							45
46	Drum & Planetary Gear (Rear Brake) (Includes Items 47 & 48)	1	994330							46
47	Bushing, Rear Brake Drum Support	1	895732							47
48	Bushing, Output Shaft - Front	1	895731							48
49	Thrust Washer, Output Shaft - Front (.062" Thick)	AR	895733							49
	Thrust Washer, Output Shaft - Front (.067" Thick)	AR	895734							

**Not Sold - Use Item Listed

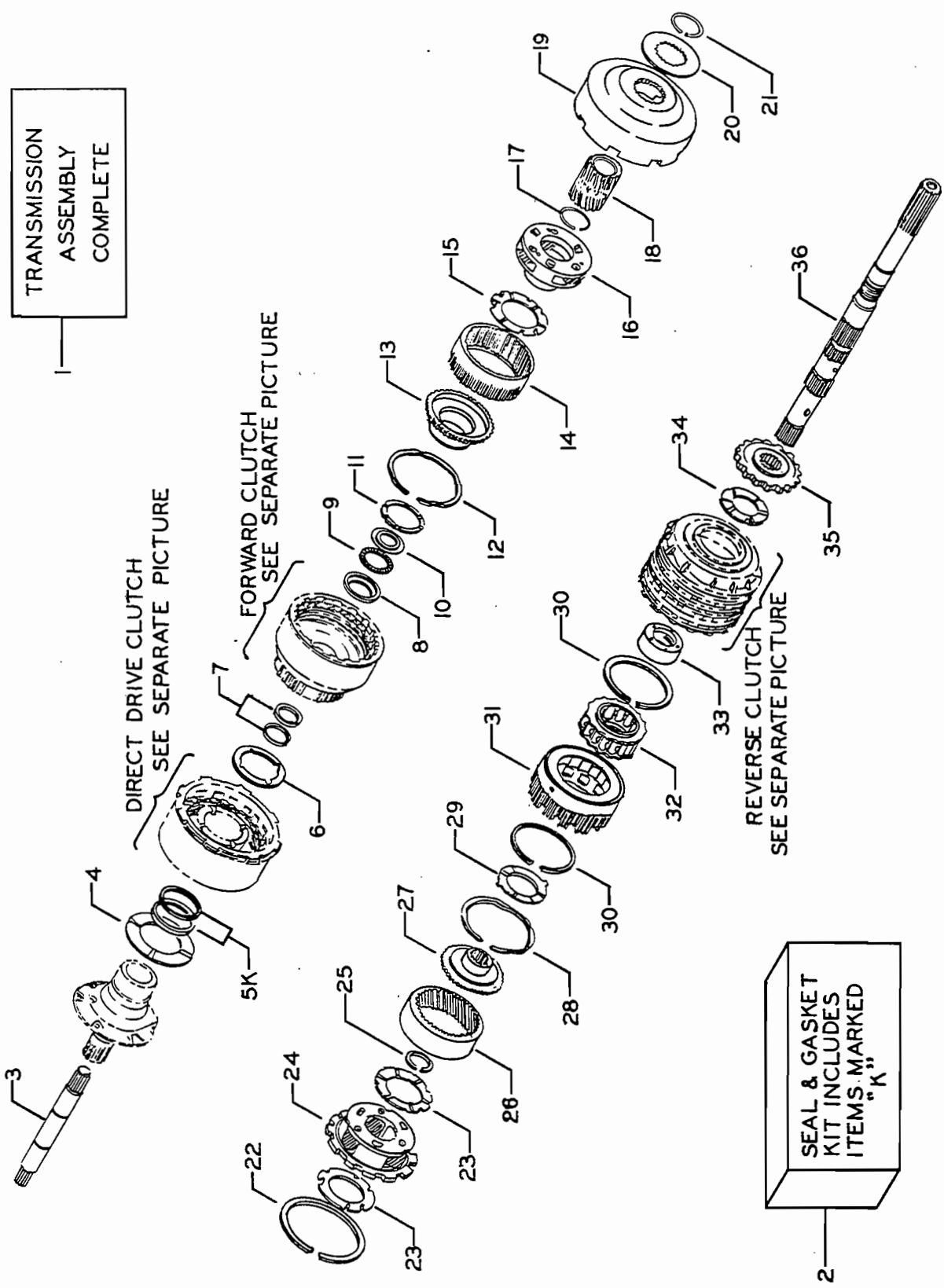


Item	Description	Req'd	CTAE-1-3250 thru Lot 3765						Item
49	Thrust Washer, Output Shaft - Front (.075" Thick)	AR	895735						49
	Thrust Washer, Output Shaft - Front (.082" Thick)	AR	895737						
	Thrust Washer, Output Shaft - Front (.093" Thick)	AR	998665						
	Thrust Washer, Output Shaft - Front (.106" Thick)	AR	990628						
50	Ring Gear, Output Shaft	1	994451						50
51	Shaft, Output	1	895575						51
52	Snap Ring, Output Shaft Ring Gear Retaining (.055" Thick)	AR	998660						52
	Snap Ring, Output Shaft Ring Gear Retaining (.057" Thick)	AR	998661						
	Snap Ring, Output Shaft Ring Gear Retaining (.059" Thick)	AR	998662						
	Snap Ring, Output Shaft Ring Gear Retaining (.064" Thick)	AR	998663						
	Snap Ring, Output Shaft Ring Gear Retaining (.069" Thick)	AR	998664						
53	Thrust Bearing, Output Shaft - Rear	1	998652						53
54	Race, Output Shaft Rear Thrust Bearing	1	998667						54
55	Tube, Clutch & Governor Oil - Front	1	895554						55
56	Tube, Clutch & Governor Oil - Intermediate	1	895555						56
57	Tube, Clutch & Governor Oil - Rear	1	895556						57
58	Tube, Oil Pressure Regulator	1	994335						58
59	Seal, Clutch & Governor	4	895740						59
60	Governor (with counterweight) (Includes Items 61, 62, & 63)	1	996522						60
61	Governor (less counterweight)	1	998508						61
62	Screw, Governor to Counterweight Lockwasher	1	89G424C						62
	Screen, Governor Oil	1	23E04						
63	Ball, Governor	1	998653						63
64	Snap Ring, Governor Retaining	1	10J08						64
65	Gasket Kit, Transmission	1	994516						65
66		1	994344						66

MAY 78

91

X147



TRANSMISSION
ASSEMBLY
COMPLETE

DIRECT DRIVE CLUTCH
SEE SEPARATE PICTURE

FORWARD CLUTCH
SEE SEPARATE PICTURE

REVERSE CLUTCH
SEE SEPARATE PICTURE

SEAL & GASKET
KIT INCLUDES
ITEMS MARKED
"K"

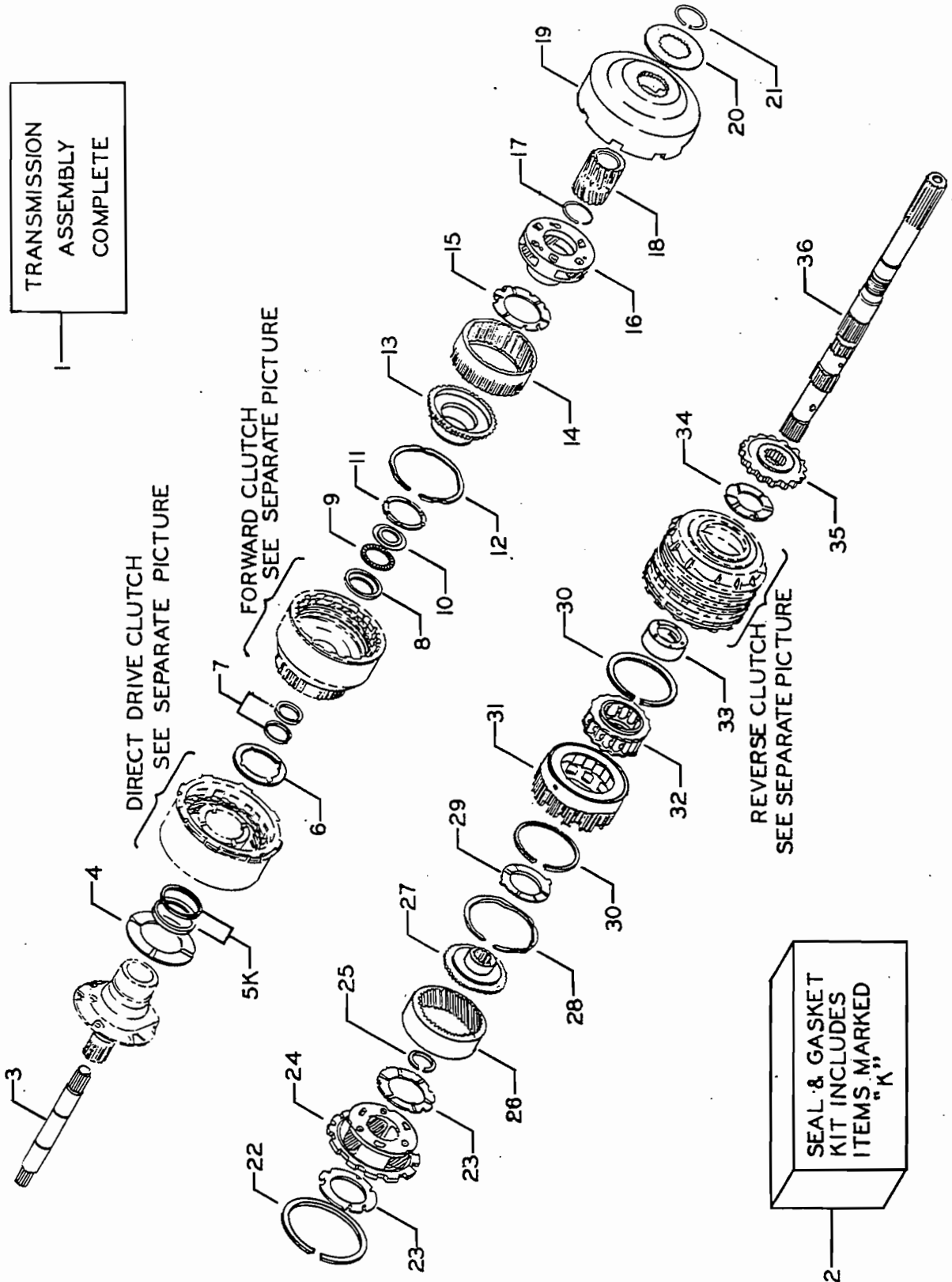
JUN 80

87A

x147

Item	TRANSMISSION CLUTCHES & GEARS (USE ILLUSTRATION 7152-P)	Req'd	CTAE-1-3815 AND ABOVE			Item
Description						
1	Transmission Assembly	1	999573			1
2	Transmission Seal & Gasket Kit	1	999692			2
3	Shaft, Input	1	999713			3
4	Thrust Washer, Stator Support	1	905137			4
	Thrust Washer, (.057") Select Fit	1	905138			
	Thrust Washer, (.074") Select Fit	1	905139			
	Thrust Washer, (.089") Select Fit	1	905140			
	Thrust Washer, (.104") Select Fit	1	905141			
	Thrust Washer, (.119") Select Fit	1	905142			
5	Seal, Intermediate Brake Drum	2	905143			5
6	Thrust Washer, Inter Brake Drum	1	994527			6
7	Seal, Forward Clutch Cylinder	2	905144			7
8	Race, Sun Gear Thrust Brg - Front	1	905145			8
9	Bearing, Sun Gear Thrust	1	905146			9
10	Race, Sun Gear Thrust Brg - Rear	1	905147			10
11	Thrust Washer, Forward Clutch Hub	1	905148			11
12	Snap Ring, Forward Ring Gear	1	999714			12
13	Clutch Hub, Forward Ring Gear	1	999715			13
14	Gear, Forward Ring	1	905149			14
15	Thrust Washer (6 Grooves - 6 Tabs)	1	999716			15
16	Planet Assembly, Forward	1	905150			16
17	Snap Ring, Sun Gear	1	999717			17
18	Sun Gear (34 Teeth)	1	999718			18
19	Input Shell	1	905151			19
20	Thrust Washer, Input Shell	1	905150			20
21	Snap Ring, Sun Gear	1	905153			21
22	Snap Ring, Reverse Planet Assembly	1	905154			22
23	Thrust Washer (6 Grooves - 4 Tabs)	2	999719			23
24	Planet Assembly, Reverse	1	905155			24
25	Snap Ring, Output Shaft Hub	1	999720			25
26	Gear, Output Shaft Ring	1	999721			26
27	Output Shaft Hub (74 x 34 Teeth)	1	905148			27
28	Snap Ring, Output Shaft Ring Gear	1	905158			28
29	Thrust Washer (6 Tapered Grooves)	1	905159			29
30	Snap Ring, Overrunning Clutch	2	999722			30
31	Hub, Reverse Clutch (72 Teeth)	1	999723			31
32	Clutch Assembly, Overrunning	1	**32	** NOT SOLD SEPARATE - USE ITEM NUMBER LISTED		32
	Bushing	1	**32			
	Roller	18	999724			
33	Race, Overrunning Clutch - Inner	1				33

TRANSMISSION
ASSEMBLY
COMPLETE



DIRECT DRIVE CLUTCH
SEE SEPARATE PICTURE

FORWARD CLUTCH
SEE SEPARATE PICTURE

REVERSE CLUTCH
SEE SEPARATE PICTURE

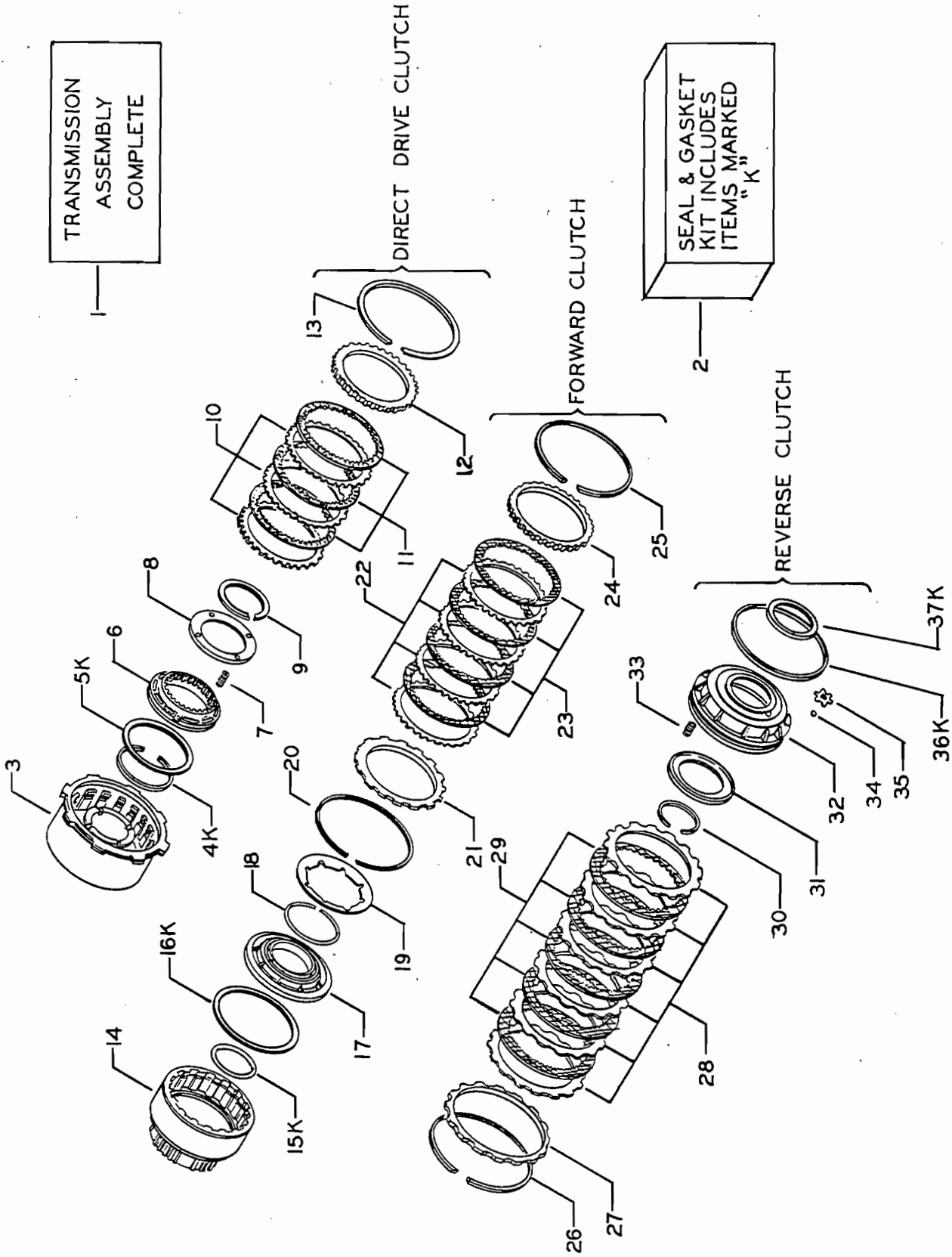
SEAL & GASKET
KIT INCLUDES
ITEMS MARKED
"K"

MAY 78

87A

X147

Item	Description	Qty	Part No.	Item
CTAE-1-3851 AND ABOVE				
34	Thrust Washer, Output Shaft Rear	1	905162	34
35	Parking Gear (36 Teeth)	1	999725	35
36	Shaft, Output (Includes 34 & 35)	1	999726	36



TRANSMISSION
ASSEMBLY
COMPLETE

SEAL & GASKET
KIT INCLUDES
ITEMS MARKED
"K"

DIRECT DRIVE CLUTCH

FORWARD CLUTCH

REVERSE CLUTCH

TRANSMISSION CLUTCHES & GEARS

7153-P

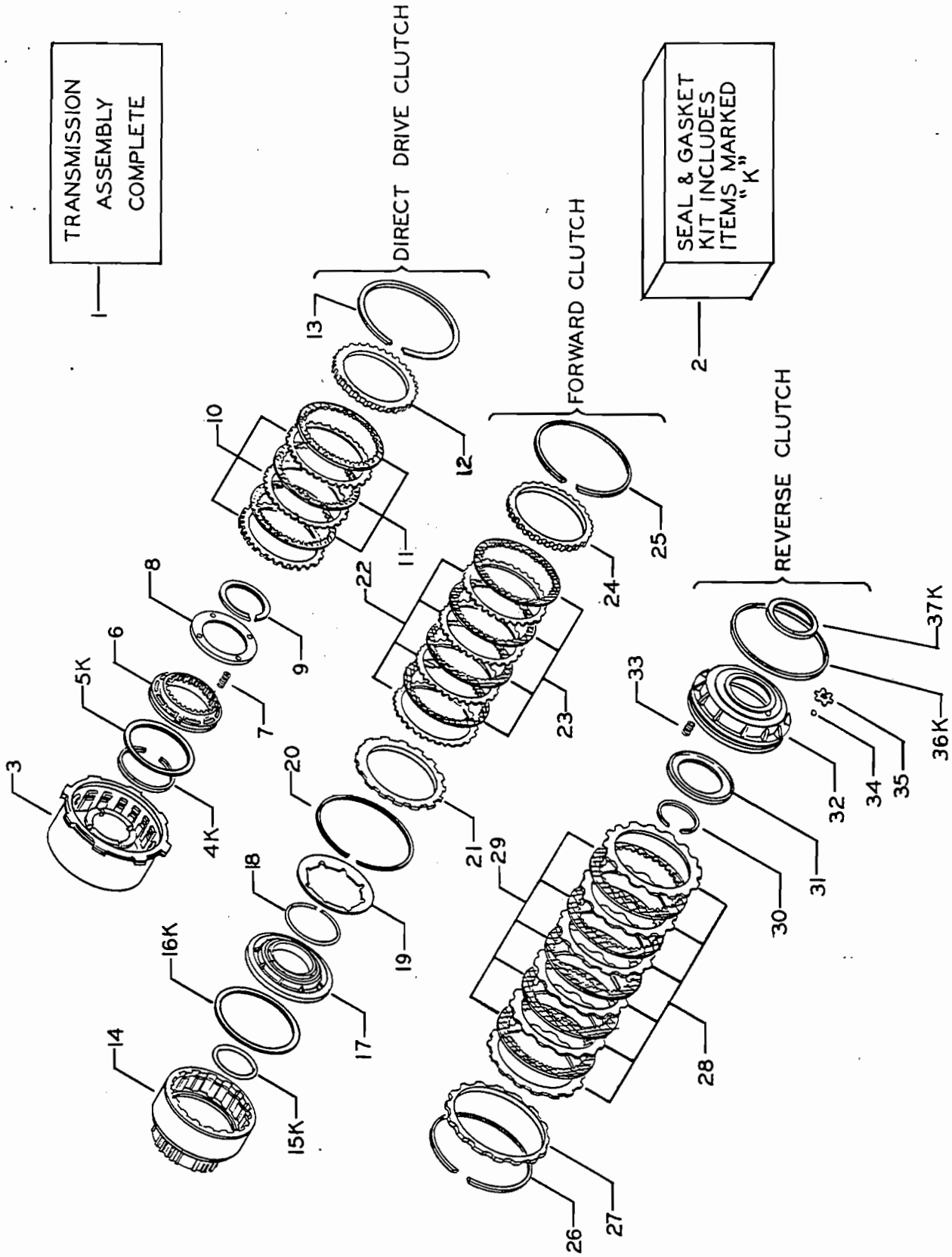
JAN 78

MAY 78

89A

X147

Item	Description	Req'd	CTAE-1-3815 AND ABOVE	Item
1	Transmission Assembly	1	999573	1
2	Transmission Seal & Gasket Kit	1	999692	2
3	Intermediate Brake Drum (Includes No. 4)	1	999727	3
4	Bushing, Drum Front	1	905163	4
5	Bushing, Drum Rear	1	905164	5
6	Seal, Clutch Piston Oil	1	905196	6
7	Seal, Clutch Piston Oil - Outer	1	905165	7
8	Piston, Direct Drive Clutch	10	999728	8
9	Spring, Direct Drive Clutch Piston Retainer, Clutch Piston Spring	1	905166	9
10	Snap Ring, Clutch Piston Spring Retainer	1	905167	10
11	Disc, Direct Clutch (External - Steel)	3	999729	11
12	Disc, Direct Clutch (Internal - Friction)	3	999730	12
13	Clutch Pressure Plate (36 Teeth)	1	999731	13
14	Snap Ring - .0625" Select Fit	AR	905169	14
15	Snap Ring - .0781" Select Fit	AR	905170	15
16	Snap Ring - .0938" Select Fit	AR	905171	16
17	Cylinder, Forward Clutch	1	999732	17
18	O-Ring, Forward Clutch Cylinder Seal, Forward Clutch Piston (Flair Lip)	1	905172	18
19	Piston, Forward Clutch	1	999733	19
20	Seal (Not Shown)	1	905174	20
21	Ring, Forward Clutch Piston Spring	1	905175	21
22	Spring, Forward Clutch Piston	1	905176	22
23	Snap Ring, Forward Clutch Piston Spring	1	905170	23
24	Clutch Pressure Plate (26 Teeth)	1	999734	24
25	Disc, Forward Clutch (External Steel)	4	999730	25
26	Disc, Forward Clutch (Internal Friction)	4	999736	26
27	Clutch Pressure Plate (36 Teeth)	1	999731	27
28	Snap Ring - .0625" Select Fit	AR	905178	28
29	Snap Ring - .0938" Select Fit	AR	905179	29
30	Snap Ring - Reverse Clutch Pressure Plate	1	905180	30



TRANSMISSION
ASSEMBLY
COMPLETE

SEAL & GASKET
KIT INCLUDES
ITEMS MARKED
"K"

DIRECT DRIVE CLUTCH

FORWARD CLUTCH

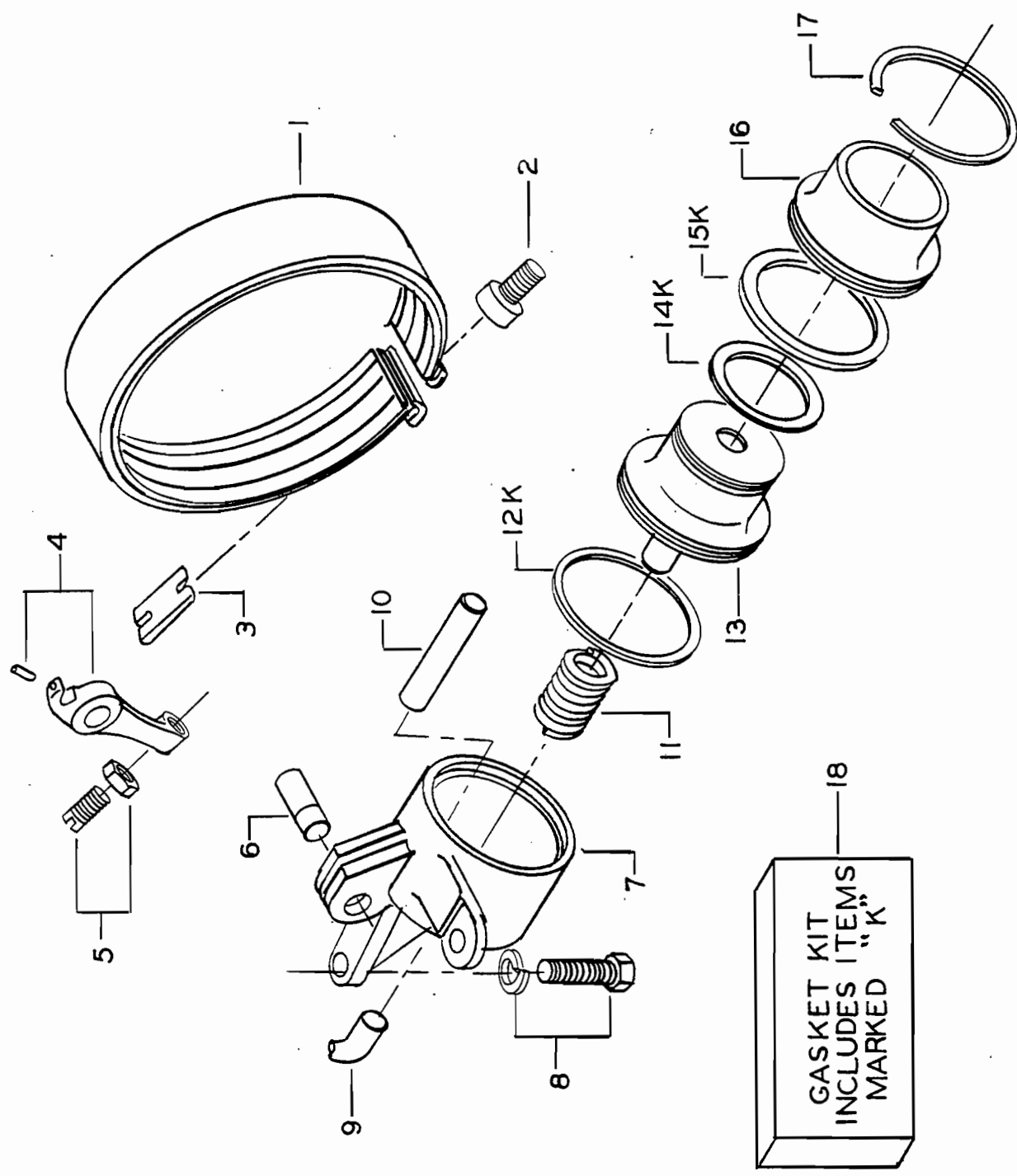
REVERSE CLUTCH

Item	Description	Req'd	CTAE-1-3815 AND ABOVE	Item	Description	Req'd	CTAE-1-3815 AND ABOVE
27	Clutch Pressure Plate (18 Teeth)	1	999737	27			
28	Disc, Reverse Clutch (External Steel)	5	999738	28			
29	Disc, Reverse Clutch (Internal Friction)	5	999739	29			
	Dark Brown Color	5	999740				
30	Snap Ring, Reverse Clutch Retainer	1	905181	30			
31	Retainer, Reverse Clutch (Includes #33)	1	905182	31			
32	Piston, Reverse Clutch (Includes Spring)	1	999741	32			
33	Spring, Reverse Clutch Plstn Re-	1	905183	33			
	turn	24	905184				
34	Ball Check, Reverse Clutch Piston	1	905185	34			
35	Retainer, Piston Ball Check	1	905186	35			
36	Seal, Reverse Clutch Piston - Outer	1	905187	36			
37	Seal, Reverse Clutch Piston - Inner	1	905188	37			

MAY 78

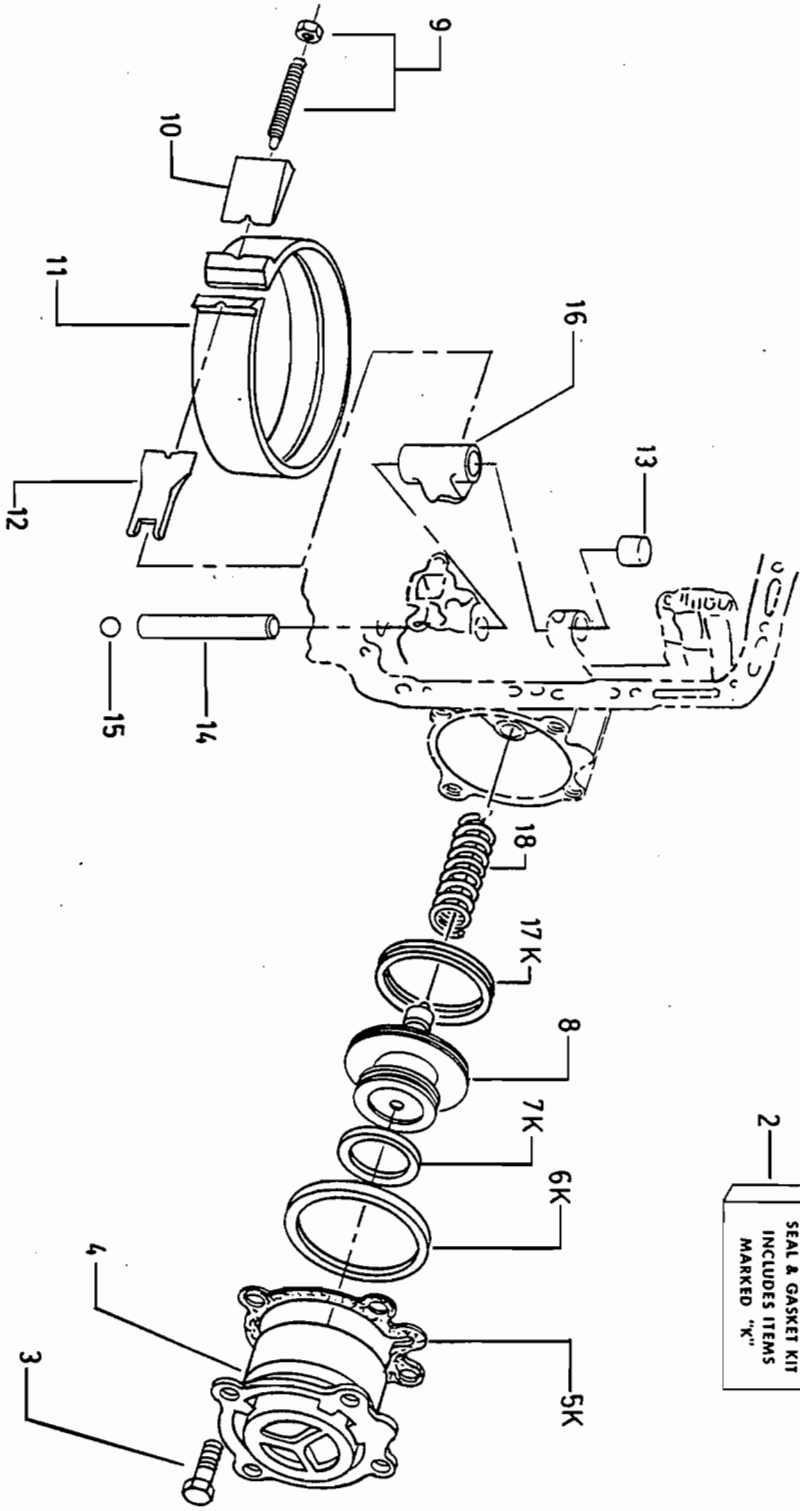
89A

X147



FRONT SERVO AND BAND

INTERMEDIATE SERVO AND BAND



Item	Description	Req'd	CTAE-1-3250 thru Lot 3765						Item
1	Band, Front (Includes Item 5)	1	994328					1	
2	Pin, Front Band Anchor	1	995135					2	
3	Strut, Front Band Actuating	1	994685					3	
4	Lever, Front Band Actuating	1	994259					4	
5	Screw, Front Band Adjusting	1	994542					5	
6	Nut	1	7D06					6	
7	Shaft, Front Band Servo Actuating Lever	1	895429					7	
8	Body, Front Band Servo	1	994358					8	
9	Cap screw, Front Band Servo Body Lockwasher	1	17C620J					9	
10	Tube, Front Band Servo 011	1	23E06					10	
11	Spring, Front Band Servo 011	1	994336					11	
12	Retracting Seal, Front Band Servo Piston - Inner	1	895581					12	
13	Seal, Front Band Servo Piston - Outer	1	994360					13	
14	Piston, Front Band Servo Seal, Front Band Servo Piston - Outer	1	994544					14	
15	Seal, Front Band Servo Piston Guide	1	994361					15	
16	Guide, Front Band Servo Piston	1	994543					16	
17	Snap Ring, Front Band Servo Piston Guide Retaining	1	994571					17	
18	Gasket Kit, Transmission	1	994362					18	
			994545						
			994344						

MAY 78

93

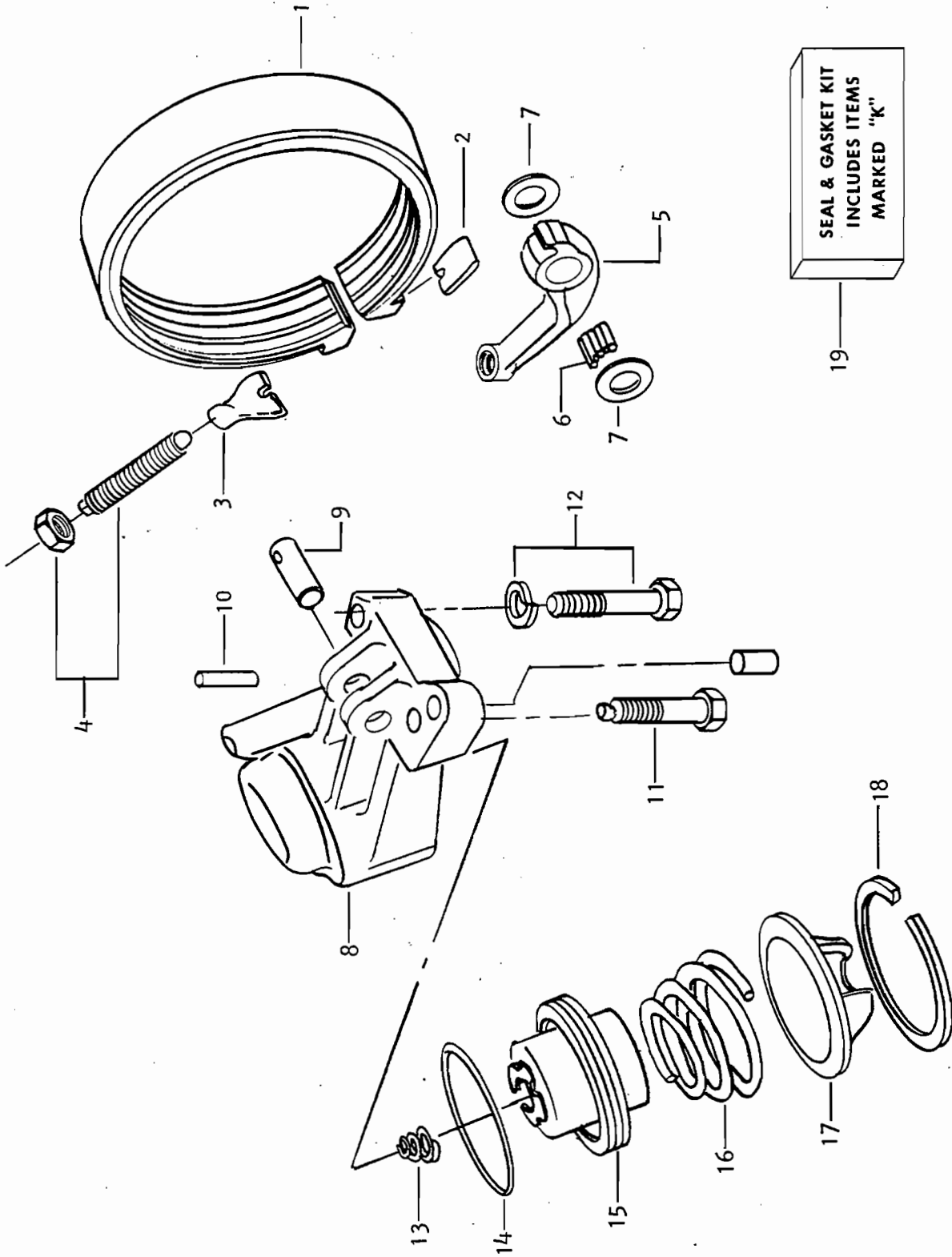
X147

JUN 80

93A

X147

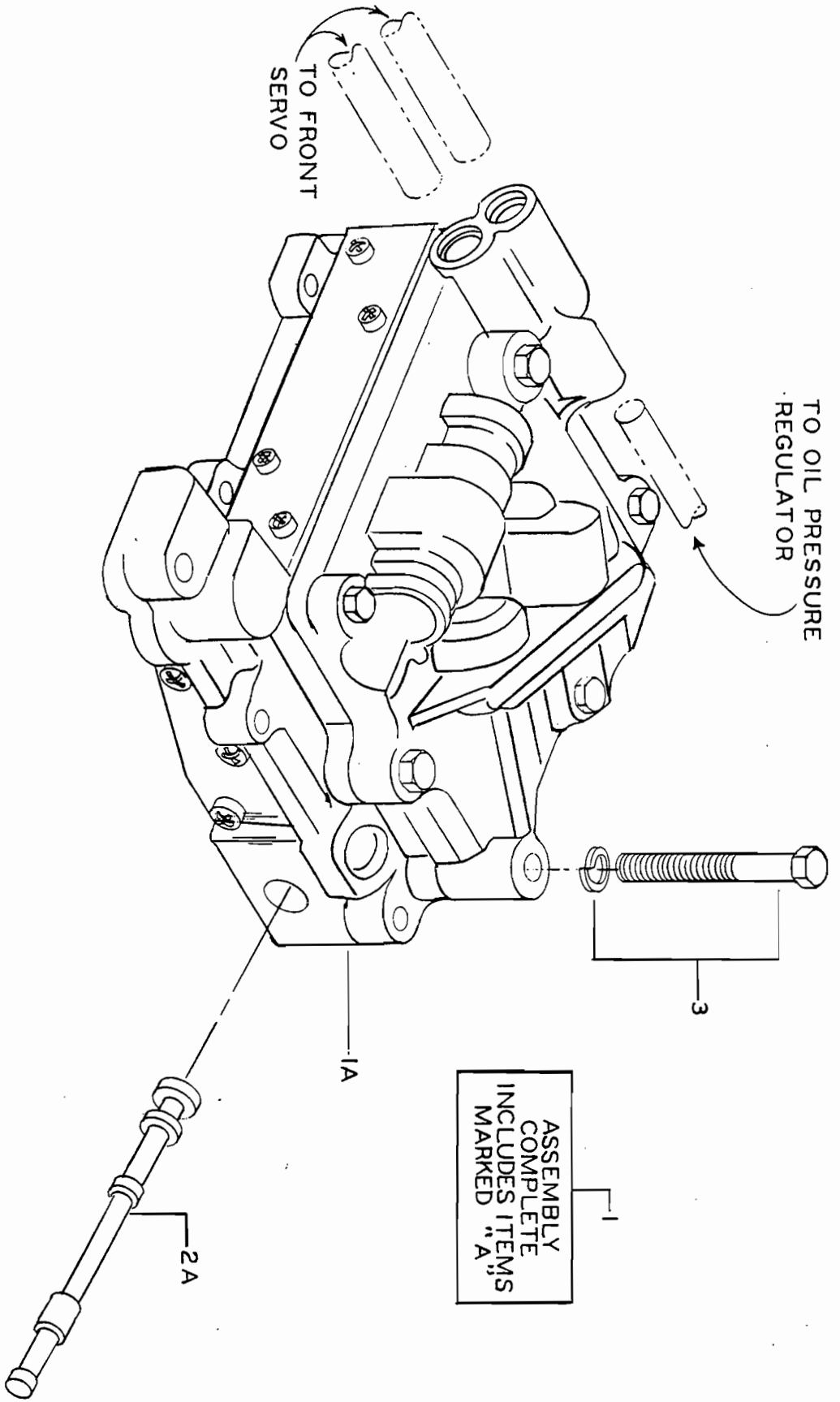
Item	Description	Req'd	CTAE-1-3815 AND ABOVE	Item
1	INTERMEDIATE SERVO AND BAND (USE ILLUSTRATION 7154-P)			1
2	Transmission Assembly	1	999573	2
3	Transmission Seal & Gasket Kit	1	999692	3
4	Capscrew, Inter Band Servo Cover	4	994540	4
5	Cover, Intermediate Band Servo	1	999742	5
6	Gasket, Inter Bank Servo Cover	1	999743	6
7	Seal, Inter Band Servo Piston	1	905189	7
8	Seal, Intermediate Brake Drum	1	905142	8
9	Piston Assembly, Inter Band Servo	1	999744	9
10	Screw, Intermediate Band Adjusting	1	905110	10
11	Locknut	1	999761	11
12	Strut, Intermediate Band Anchor	1	999745	12
13	Band Assembly, Intermediate Servo (Incl. #10 & 12)	1	999746	13
14	Strut, Intermediate Brake Band	1	999747	14
15	Retainer, Intermediate Servo Band Lever	1	905192	15
16	Shaft, Intermediate Band Lever	1	999748	16
17	Ball, Intermediate Band Lever Shaft	1	905193	17
18	Lever, Intermediate Band Servo	1	999749	18
	Seal, Inter-Band Servo Inner	1	906490	
	Spring, Inter-Band Servo (Brown)	1	906491	
	Spring, Inter-Band Servo (Green)	1	906492	



6930-P

REAR SERVO AND BAND

JUN 76



JUN 76

MAIN CONTROL VALVE

6932-P

Item	Description (USE ILLUSTRATION 6930-P)	Req'd	CTAE-1-3250 thru Lot 3765						Item
1	Band, Rear	1	990612					1	
2	Strut, Rear Band Actuating	1	895569					2	
3	Strut, Rear Band Anchor	1	895570					3	
4	Screw, Rear Band Adjusting Nut	1	895720					4	
5	Lever, Rear Band Servo Actuating	1	8D08J					5	
6	Needle, Rear Servo Lever Bearing	29	994364					6	
7	Washer, Rear Servo Lever Bearing Needle Retaining	2	891844					7	
8	Body, Rear Band Servo	1	891845					8	
9	Shaft, Rear Band Servo Actuating Lever	1	N.S.S. 895437					9	
10	Pin, Servo Actuating Lever Shaft	1	895438					10	
11	Capcrew, Rear Band Servo Lockwasher	1	895744					11	
12	Capcrew, Rear Band Servo Lockwasher	1	23E07					12	
13	Spring, Rear Band Servo Accumulator	1	895811					13	
14	O-Ring, Rear Band Servo Piston	1	23E07					14	
15	Piston, Rear Band Servo	1	895439					15	
16	Spring, Rear Band Servo Piston Retainer, Rear Band Servo Piston Spring	1	994546					16	
17	Retainer, Rear Band Servo Piston Spring	1	996525					17	
18	Snap Ring, Rear Servo Piston Retainer	1	996526					18	
19	Gasket Kit, Transmission	1	996524					19	
			994344						

MAY 78

95

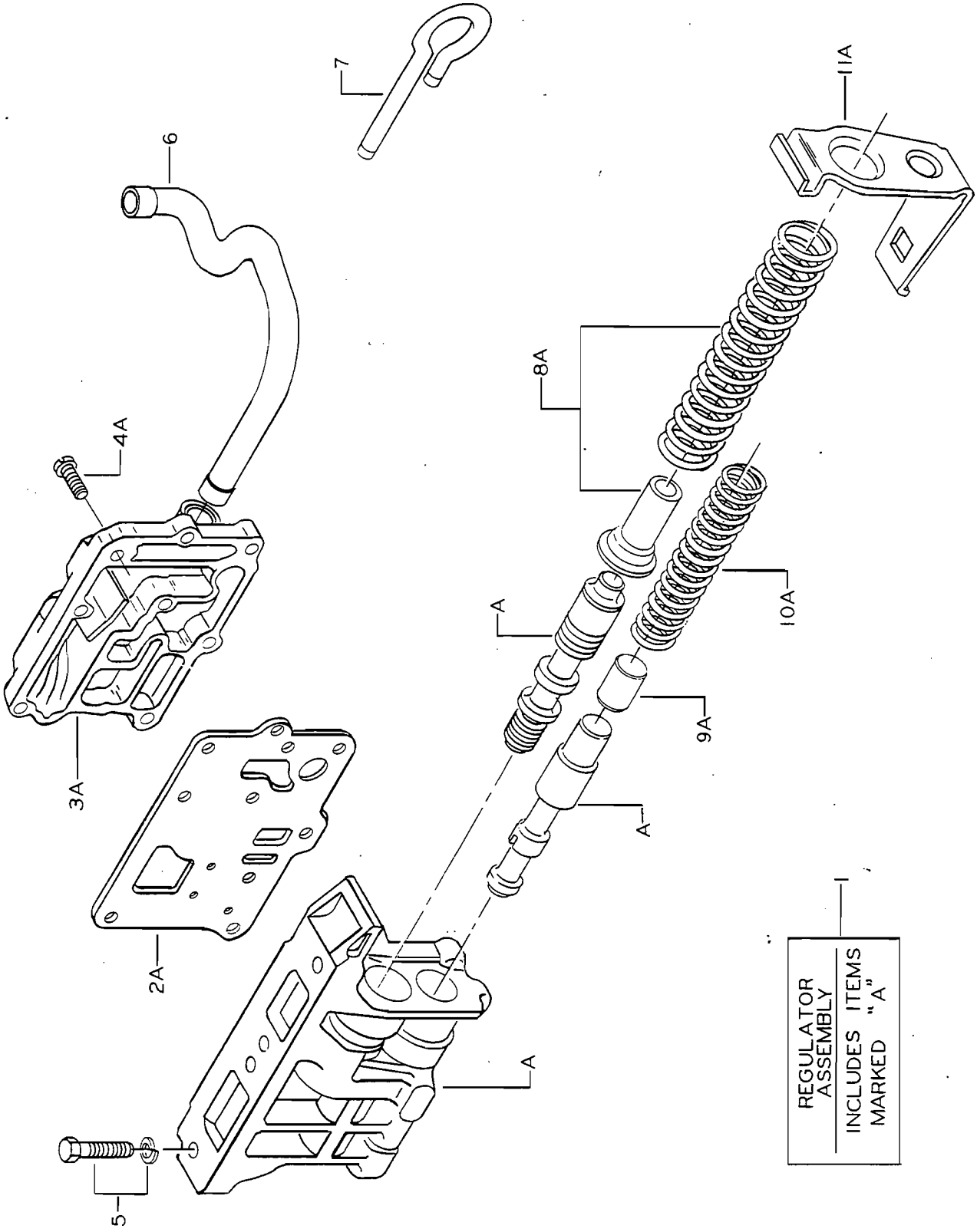
X147

MAY 78

97

X147

Item	Description	Req'd	CTAE-1-3250 thru Lot 3765	CTAE-1-3815 AND ABOVE	Item
1	Valve Assembly, Main Control	1	990614	999754	1
2	Valve, Manual Control	1	998503	999735	2
3	Capscrew, Main Control Valve Lockwasher	3 3	895580 23E04		3



REGULATOR ASSEMBLY
INCLUDES ITEMS MARKED "A"

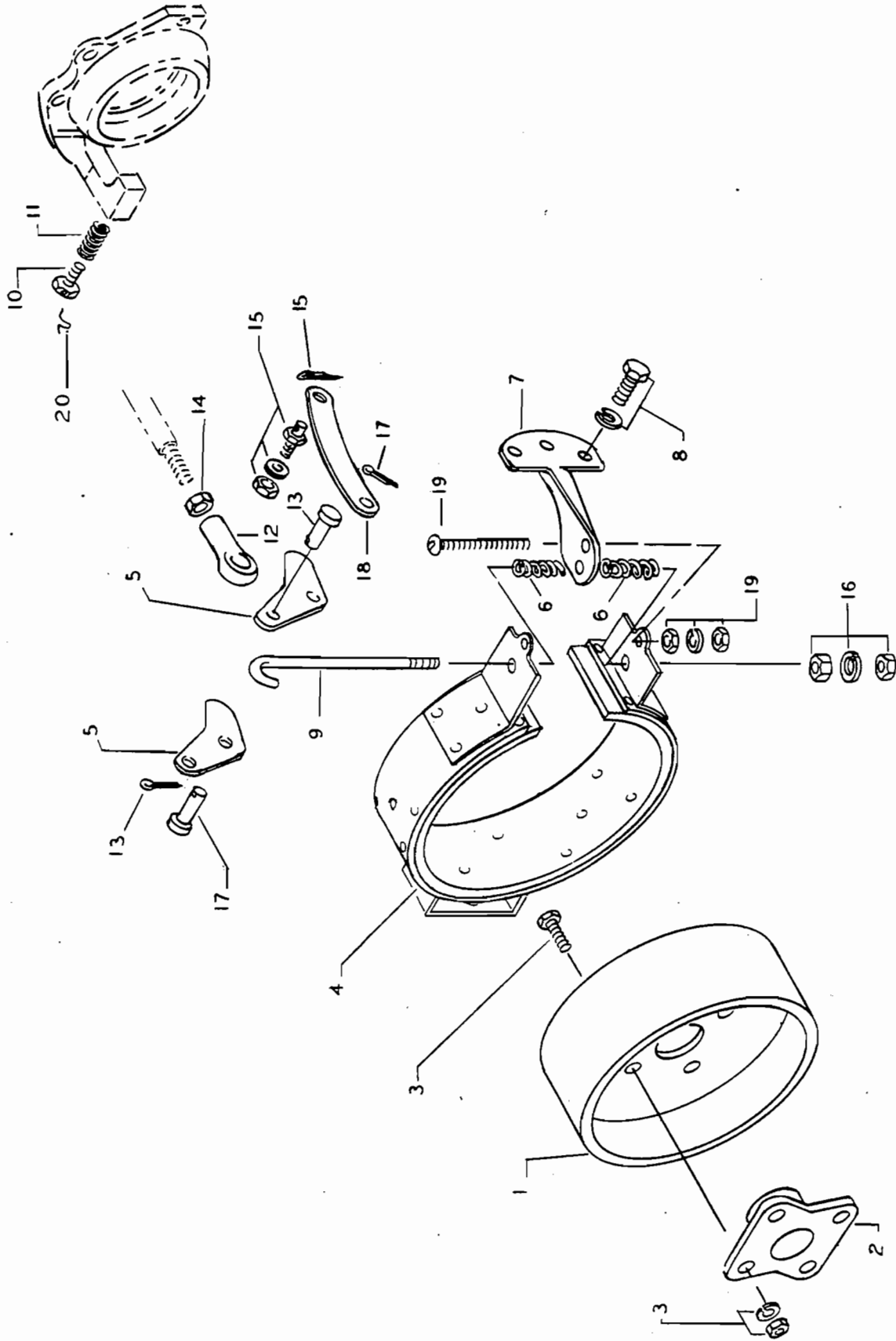
Item	Description	Req'd	Part No.
1	Regulator Assembly, Oil Pressure	1	990613
2	Plate, Oil Pressure Regulator	1	895460
3	Body Separating	1	990623
4	Cover, Oil Pressure Regulator Body	8	41G1012J
	Screw, Regulator Body Cover	8	17E10
5	Lockwasher	2	1C514J
	Cap screw, Oil Pressure Regulator	2	23E05
6	Lockwasher	1	998666
	Tube, Oil Pressure Regulator	1	994337
7	Main Control Valve	1	990622
8	Tube, Oil Pressure Regulator	1	990622
	Compensator Valve	1	895456
9	Spring & Sleeve Kit, Oil Pressure	1	895456
	Regulator Valve	1	895457
10	Spacer, Oil Pressure Regulator	1	895457
	Valve	1	895458
11	Spring, Oil Pressure Regulator	1	895458
	Valve	1	895458
	Seat, Oil Pressure Regulator	1	895458
	Valve Spring	1	895458

CTAE -1-3250
thru Lot 3765

MAY 78

99

X147



6707-P

PARKING BRAKE

JAN 75

Item	Description	Req'd	CTAE-1-3250 thru Lot 3765
1	Drum, Parking Brake	1	895445
2	Flange, Parking Brake Drum	1	895446
3	Bolt, Flange and Drum Assembly	4	895643
	Lockwasher	4	23E07
	Nut	4	62D-07J
4	Band, Parking Brake	1	895447
5	Lever, Parking Brake Cam	2	895448
6	Spring, Brake Release	2	353979
7	Bracket, Parking Brake Adjusting Bolt	1	996421
8	Bolt, Adjusting Bolt Bracket	2	1C-616J
	Lockwasher	2	23E-06
9	Rod, Parking Brake Band Adjusting Bolt, Anchor Clip	1	996452
10	Spring, Parking Brake Anchor Clip	1	3C-528
11	Clevis, Parking Brake Rod	1	895451
12	Pin, Parking Brake Rod Clevis	1	201583
13	Cotter Pin	1	898621
14	Nut, Jam	1	1F312J
15	Stud, Parking Brake Cam Lever Link	1	8006J
	Lockwasher	1	895676
	Nut	1	3E-06
16	Nut, Band Adjusting Rod	1	61D-06J
	Lockwasher	2	1F-416R
	Pin, Brake Cam Lever to Link	1	61D-07J
17	Cotter Pin	1	23E-07
18	Link, Parking Brake Spacer	1	353971
19	Bolt, Parking Brake Band Centering Washer	1	1F-416R
	Lockwasher	1	221458
	Nut	1	895644
	Lockwasher	1	25E18
	Nut	1	23E04
20	Lockwire, Anchor Clip Bolt	2	61D-04
		AR	28H13

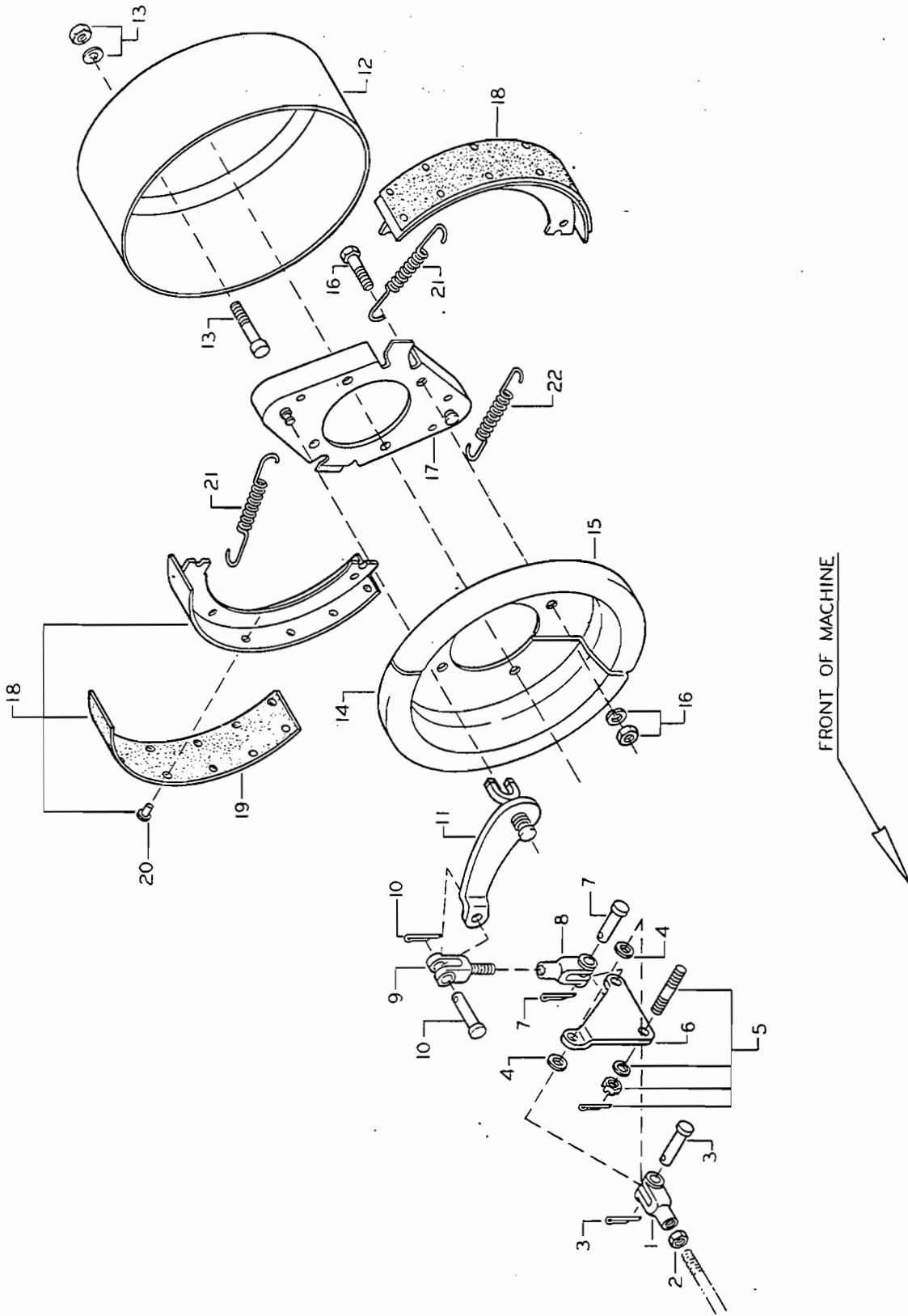
OCT 77

101

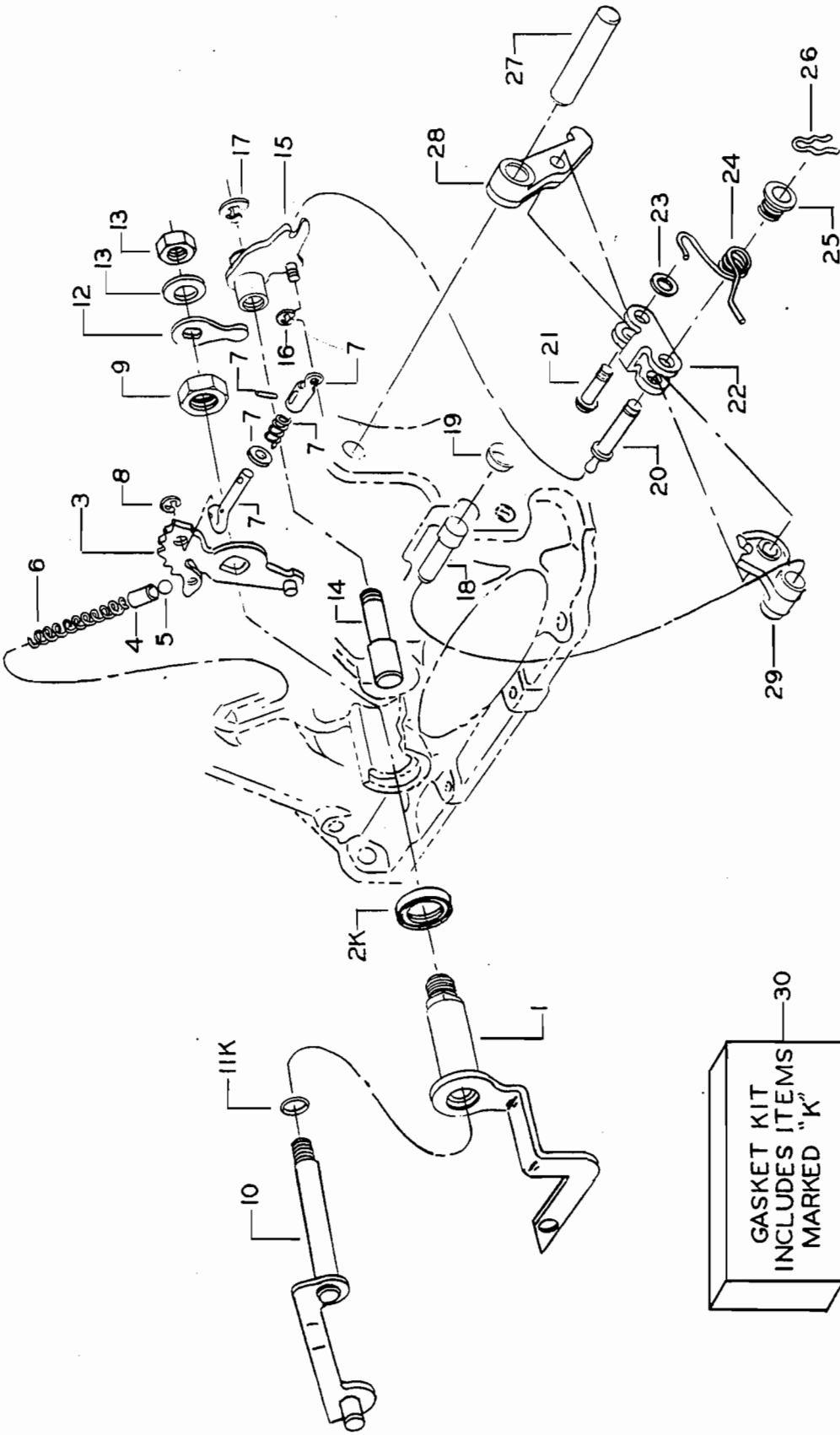
X147

PARKING BRAKE

JUL 77



Item		REV SEP 80	101A	X147
Description		CTAE-1-3815 AND ABOVE		
Item	Description	Req'd		
1	Clevis, Actuator Rod End	1	2J6208	1
2	Nut, Rod End Lock	1	8D6	1
3	Pin, Rod End	1	4F6106	1
4	Cotter	1	1F312	1
5	Washer, Rod End Pin	2	25E17	2
	Stud, Bellcrank Mounting	1	999528	1
	Spacer	1	999371	1
	Washer	1	25E23	1
	Nut	1	4D9	1
	Cotter	1	1F416	1
6	Bellcrank, Cam & Lever	1	999372	1
7	Pin, Bellcrank Clevis	1	1644934	1
	Cotter	1	1F410	1
8	Clevis (Internal Thread)	1	999531	1
9	Clevis (External Thread)	1	999532	1
10	Pin, Cam & Lever Clevis	1	1644934	1
	Cotter	1	1F410	1
11	Cam & Lever Assembly	1	999373	1
12	Drum, Parking Brake	1	999374	1
13	Bolt, Drum to Output Flange	4	11C824	4
	Washer	4	25E21	4
	Nut	4	59D8	4
14	Dust Shield - RH	1	999375	1
15	Dust Shield - LH	1	999376	1
16	Bolt, Dust Shield Mounting	4	1C824	4
	Lockwasher	4	23E8	4
	Nut	4	61D8	4
17	Brake Support Plate	1	999377	1
18	Band & Lining Assembly	2	999378	2
19	Brake Lining	2	999379	2
20	Rivet, Brake Lining	AR	23H404	AR
21	Spring, Brake Return	2	881033	2
22	Spring, Brake Adjusting	1	881036	1



6933-P

TRANSMISSION LINKAGE

JUN 76

MAY 78

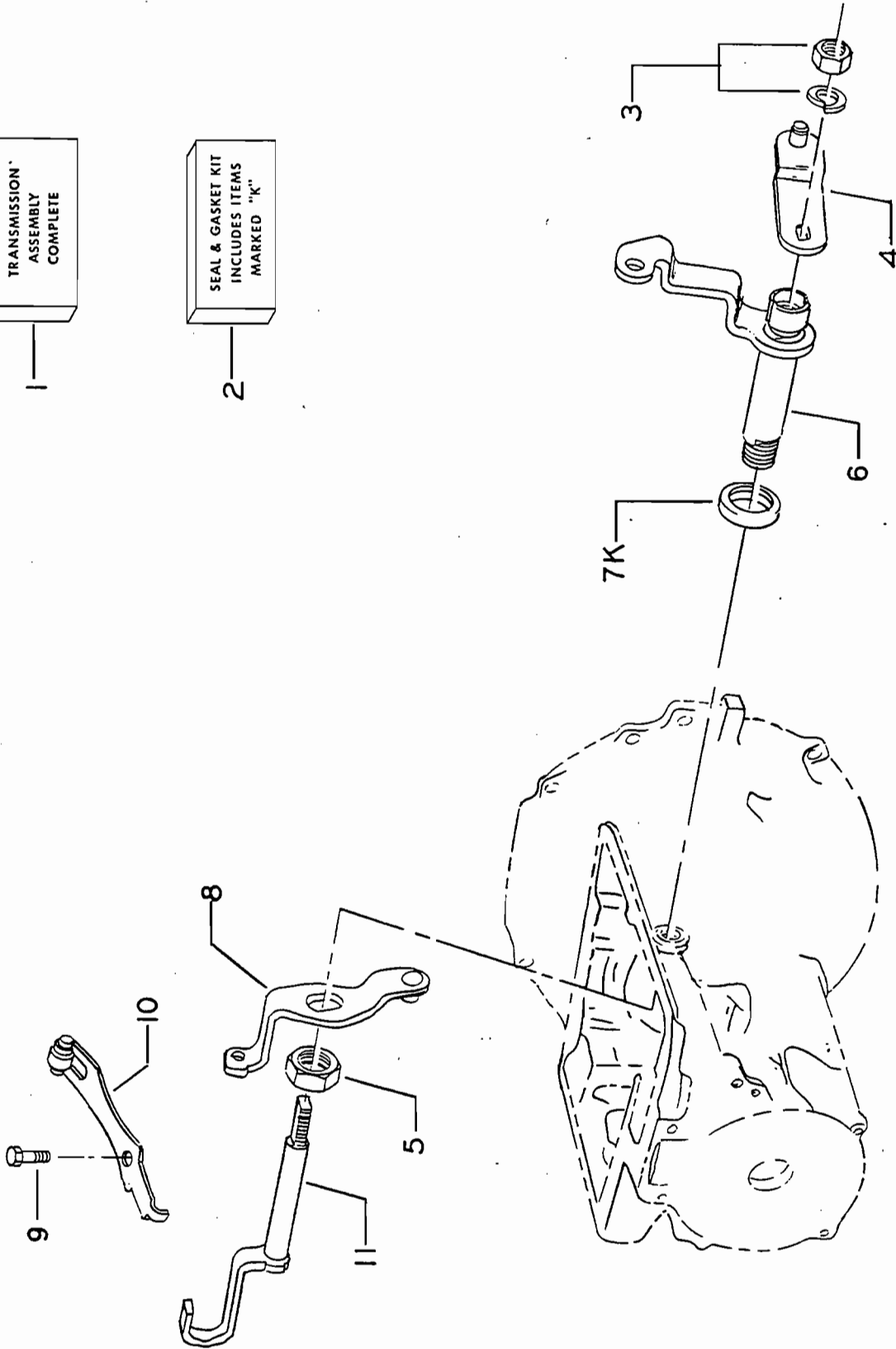
103

X147

Item	Description	Req'd	CTAE-1-3250 thru Lot 3765						Item
			1	2	3	4	5	6	
1	Lever, Manual Control	1	994318					1	
2	Seal, Manual Control Lever	1	990625					2	
3	Lever, Manual Control Valve Detent	1	895765					3	
4	Plunger, Manual Valve Detent	1	895767					4	
5	Ball, Manual Valve Detent Plunger	1	10J12					5	
6	Spring, Manual Control Valve Detent Lever	1	990661					6	
7	Rod Assembly, Parking Pawl Toggle Operating Lever	1	998509					7	
8	Retainer, Parking Pawl Toggle Operating Lever Rod	1	1301399					8	
9	Jam Nut, Manual Control Lever	1	8D09J					9	
10	Lever, Downshift Control - Outer	1	998510					10	
11	Seal, Downshift Control Outer Lever	1	25K30012					11	
12	Lever, Downshift Control - Inner	1	895768					12	
13	Nut, Downshift Control Inner Lever	1	62D05					13	
14	Lockwasher	1	23E05					14	
15	Pin, Parking Pawl Toggle Operating Lever Support	1	998650					15	
16	Lever, Parking Pawl Toggle Operating	1	998511					16	
17	Retainer, Parking Pawl Toggle Operating Lever Rod	1	998654					17	
18	Retainer, Parking Pawl Toggle Operating Lever	1	998507					18	
19	Pin, Parking Pawl Toggle Lever Retainer, Parking Pawl Toggle Lever Pin	1	998668					19	
20	Pin, Parking Pawl Toggle Lever	1	998669					20	
21	Pin, Parking Pawl Toggle Link	1	998655					21	
22	Link, Parking Pawl Toggle	1	998656					22	
23	Washer, Parking Pawl Toggle Link Pin	1	998657					23	
24	Spring, Parking Pawl Toggle Return Retainer, Parking Pawl Toggle Return Spring	1	784057					24	
25	Retainer, Parking Pawl Toggle	1	998512					25	
26	Retainer, Parking Pawl Toggle	1	998670					26	
27	Pin, Parking Pawl	1	1317624					27	
28	Pawl, Parking	1	998658					28	
29	Lever, Parking Pawl Toggle	1	998659					29	
30	Gasket Kit, Transmission	1	998513					30	
			994344						

1
TRANSMISSION ASSEMBLY COMPLETE

2
SEAL & GASKET KIT INCLUDES ITEMS MARKED "K"



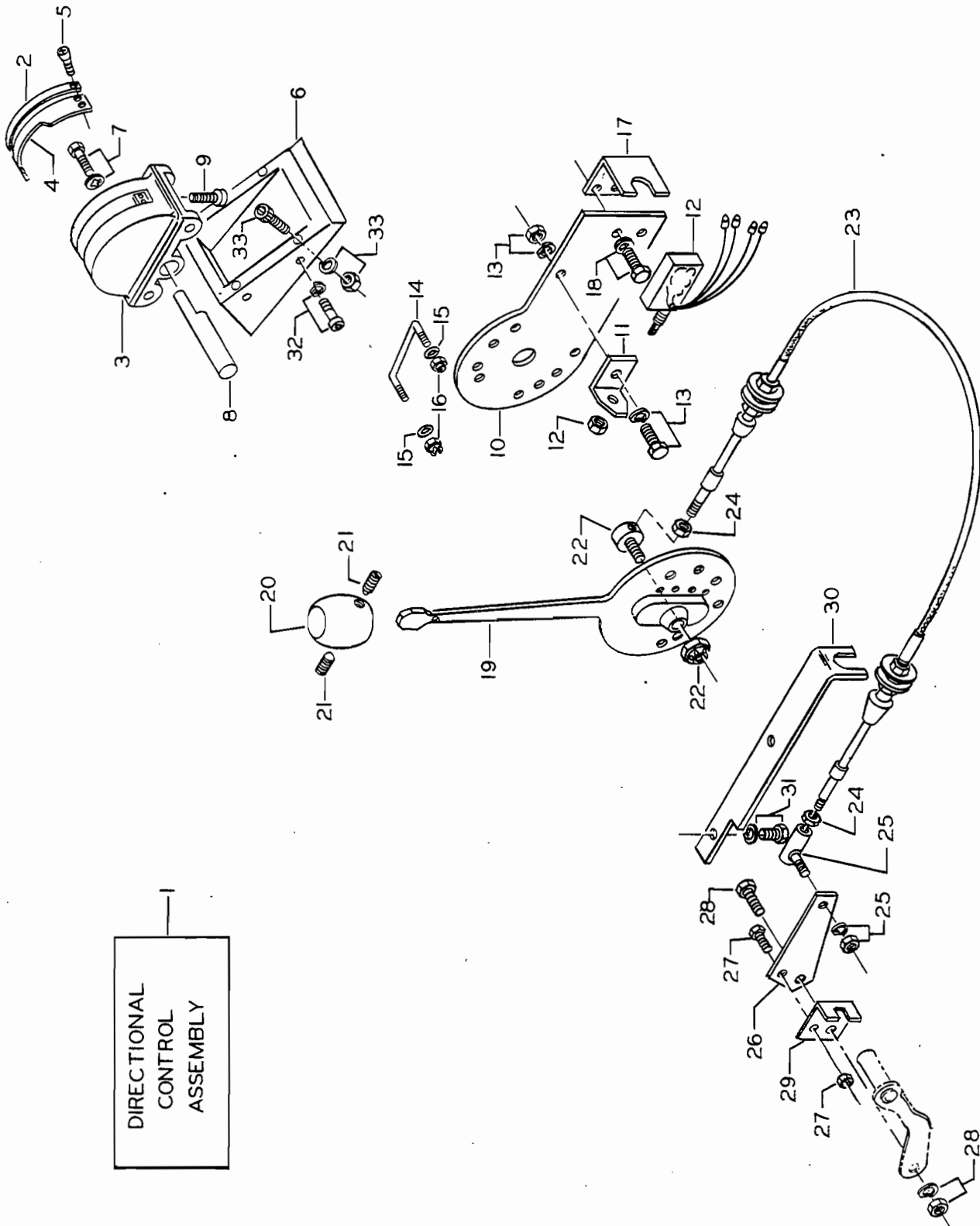
MAY 78

103A

X147

Item	TRANSMISSION LINKAGE (USE ILLUSTRATION 7155-P)	Req'd	CTAE-1-3815 AND ABOVE		Item
Description					
1	Transmission Assembly	1	999573		1
2	Transmission Seal & Gasket Kit	1	999692		2
3	Nut, Downshift Detent Lever Lockwasher	1	62D5		3
4	Lever, Down Shift Control - Outer	1	23E5		4
5	Jam Nut, Valve Detent Lever	1	999750		5
6	Lever, Manual Control	1	8D9		6
7	Seal, Manual Control Lever	1	999751		7
8	Lever, Manual Control Valve Detent	1	990625		8
9	Pin, Manual Control Detent Lever Spring	1	999752		9
10	Spring, Manual Control Valve Detent Lever	1	15J1212		10
11	Lever, Downshift Detent - Inner	1	905194		11
			999753		

DIRECTIONAL CONTROL ASSEMBLY



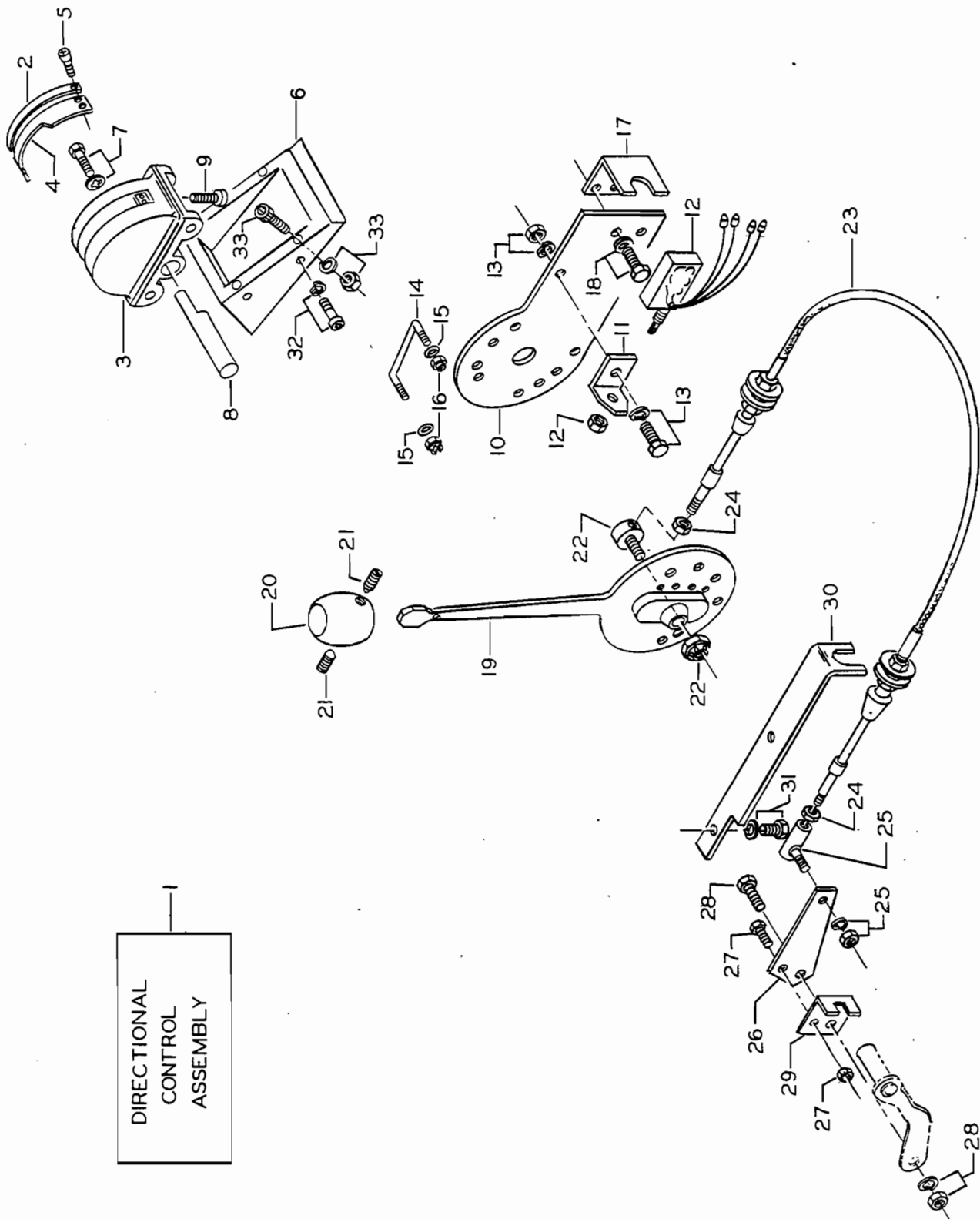
REV OCT 80

105

X147

Item	Description	Req'd	CTAE-1-3250 thru Lot 3765
1	Control Assembly, Directional Indicator, Transmission Gear Shift Range	1	1758868
2	Housing, Directional Control Guide, Gear Shift Lever	1	993839
3	Screw, Gear Shift Lever Guide Bracket, Directional Control Mounting	1	991122
4	Capcrew, Directional Control Mounting Bracket	1	991123
5	Lockwasher	4	75G1005
6	Shaft, Gear Shift Lever	1	1758867
7	Screw, Gear Shift Lever Shaft Bracket, Gear Shift Lever	2	2C612
8	Bracket, Neutral Start Switch	2	6E6
9	Switch, Neutral Start Nut	1	991125
10	Capcrew, Neutral Start Switch Bracket Mounting	1	41G1008
11	Lockwasher	1	991126
12	Actuator	1	991127
13	Nut, Neutral Start Switch Actuator	1	992535
14	Bracket, Gear Shift Cable Anchor	1	991129
15	Capcrew, Gear Shift Cable Anchor Bracket	2	2C408
16	Lockwasher	2	23E4
17	Lever, Gear Shift	1	993837
18	Knob, Gear Shift Lever	2	25K20006
19	Setscrew, Gear Shift Lever Knob Trunnion, Directional Control Cable End	2	51D10
20	Nut	1	991131
21	Cable, Directional Control	2	2C408
22	Nut	2	23E04
23	Ball Joint, Directional Control Cable	1	996390
24	Lockwasher	1	996391
25	Nut	2	19G406
26	Link, Transmission Shift Lever	1	991133

DIRECTIONAL
CONTROL
ASSEMBLY

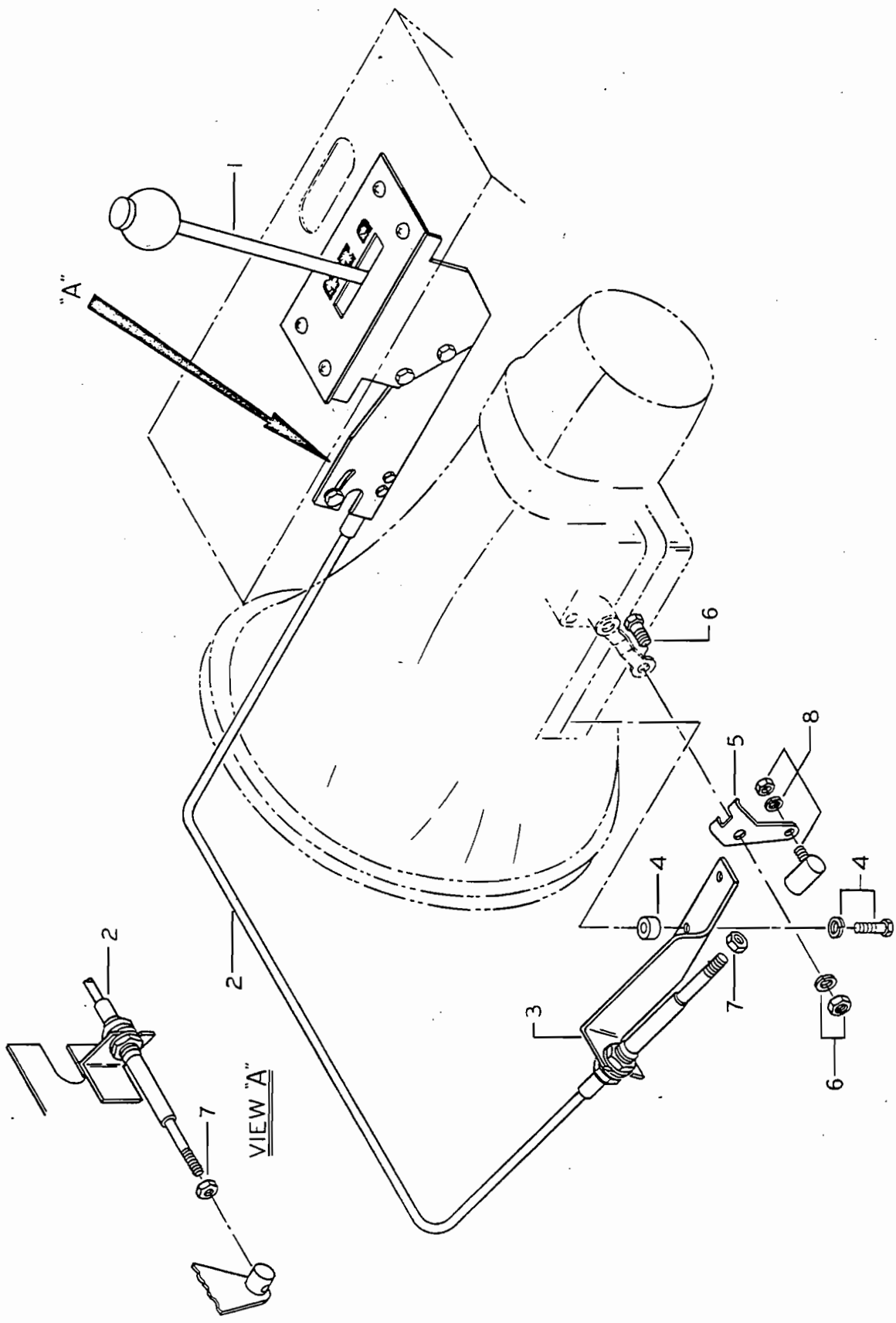


Item	Description	Req'd	CTAE-1-3250 thru Lot 3765	Item
27	Bolt, Transmission Shift Lever Link	1	1C516	27
	Nut	1	17D2	
28	Bolt, Transmission Shift Lever Link	1	1C616	28
	Lockwasher	1	23E06	
	Nut	1	61D06	
29	Adaptor, Transmission Shift Lever	1	2313522	29
30	Bracket, Directional Control Cable	1	1758864	30
31	Capscrew, Directional Control Cable Bracket	2	1C520	31
	Lockwasher	2	23E5	
32	Capscrew, Directional Control	4	73G412H	32
	Lockwasher	4	23E4	
33	Bolt, Directional Control Mounting Bracket (Long)	2	11G432	33
	Bolt, Directional Control Mounting Bracket (Short)	2	11G424	
	Lockwasher	4	23E4	
	Nut	4	61D4	

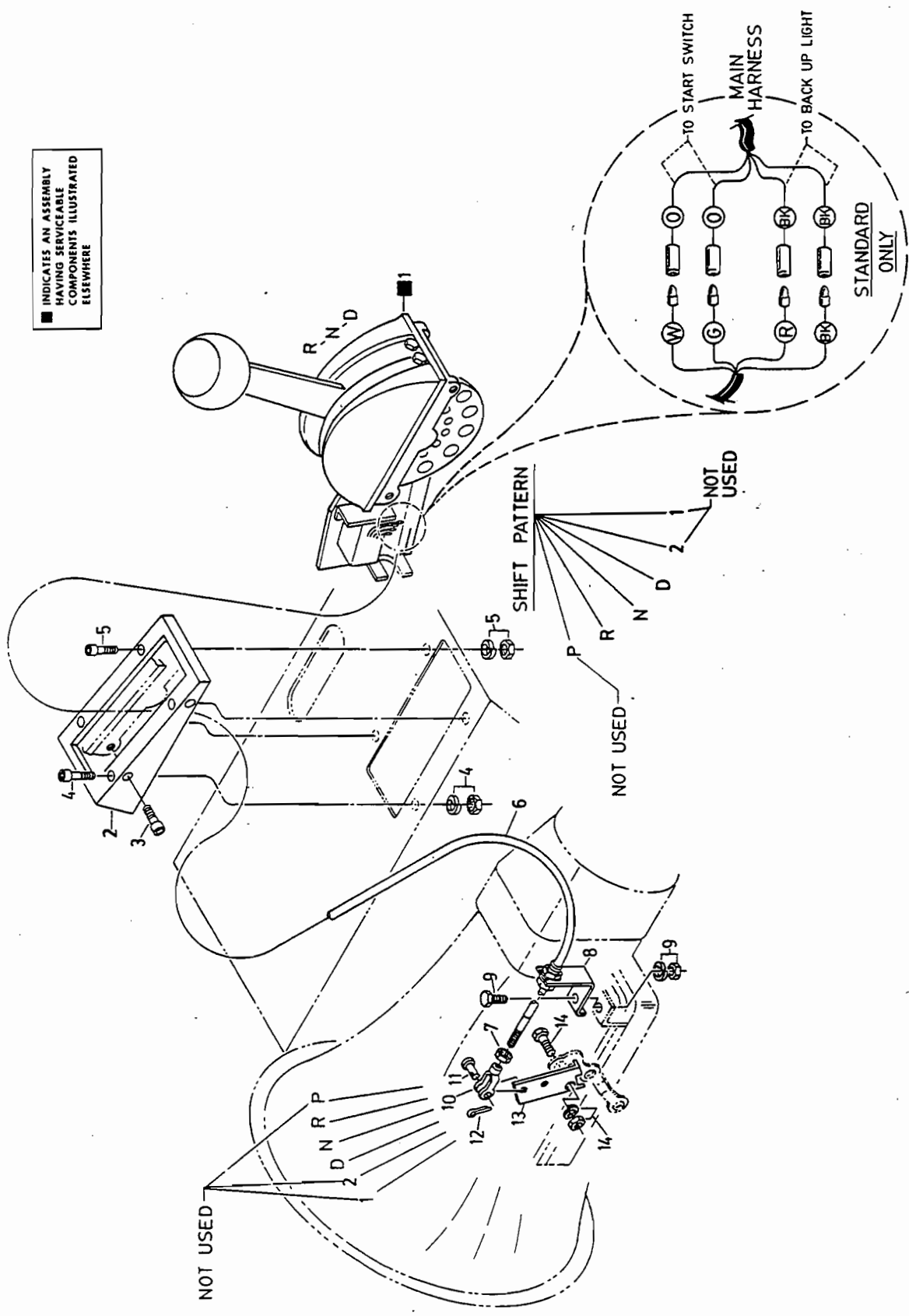
OCT 77

107

X147



■ INDICATES AN ASSEMBLY HAVING SERVICEABLE COMPONENTS ILLUSTRATED ELSEWHERE

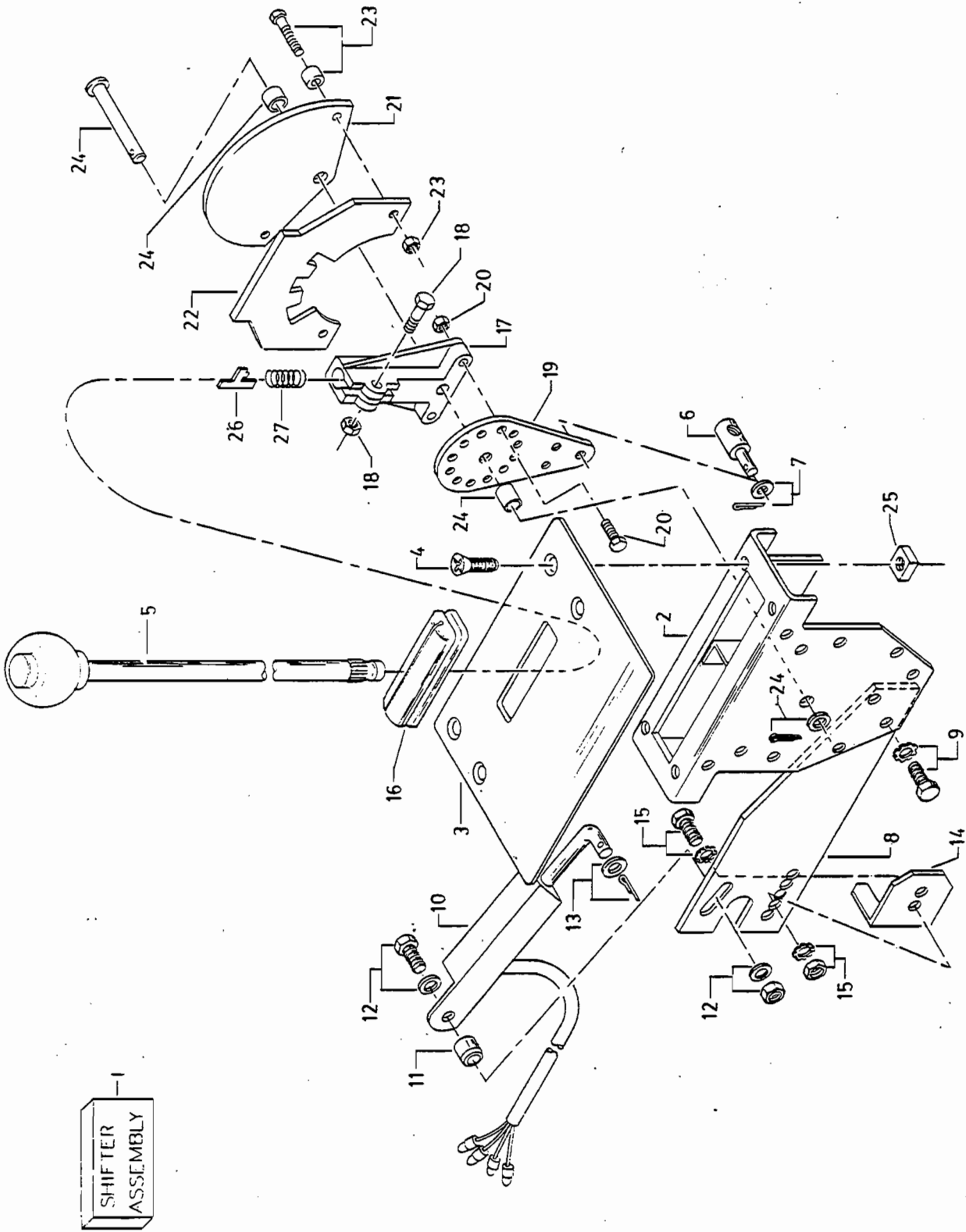


JAN 80

105B

x147

Item		AND ABOVE CTAE-1-4530	Req'd	DIRECTIONAL CONTROL LINKAGE (USE ILLUSTRATION 7297-P)	Description
1		2364588	1	Shifter Assembly	
2		1758867	1	Bracket, Shifter Mounting	
3		73G412	4	Capscrew	
4		73G432	2	Capscrew	
		23E4	2	Lockwasher	
		61D4	2	Nut	
5		73G424	2	Capscrew	
		23E4	2	Lockwasher	
		61D4	2	Nut	
6		2352820	1	Cable, Shift Control	
7		804	2	Jam Nut	
8		2364576	1	Bracket, Cable Anchor	
9		1C720	1	Capscrew	
		23E7	1	Lockwasher	
		61D7	1	Nut	
10		2J4200	1	Cable End, Control Cable	
11		4F4051	1	Pin	
12		1F212	1	Cotter Pin	
13		2364615	1	Link, Shift Control	
14		1C514	1	Capscrew	
		23E5	1	Lockwasher	
		61D5	1	Nut	



1
SHIFTER
ASSEMBLY

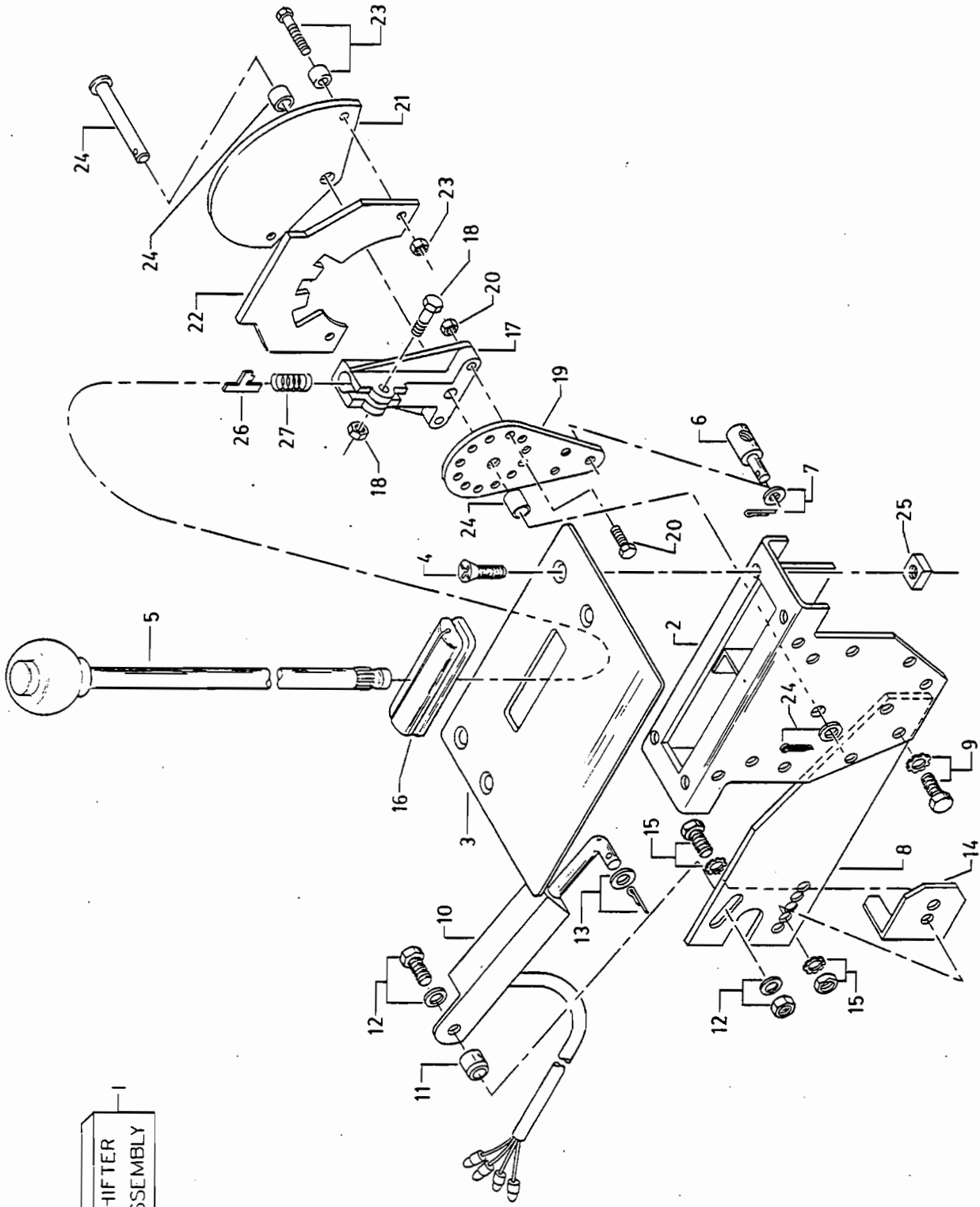
7101-P

SHIFTER ASSEMBLY

REV JUL 79

Item	Description	Req'd	CTAE-1-3815 THRU LOT 4441	JAN 80	107A	x147
1	Shifter Assembly, Complete	1	2353086			
2	Shifter Sub-Assembly	1	999316			
3	Plate, Gate	1	999317			
4	Screw, Gate Plate	4	7G412			
5	Lever Assembly, Shifter	1	999318			
6	Swivel, Shifter Lever	1	998591			
7	Washer, Shifter Lever Swivel	1	998622			
	Cotter	1	1F308			
8	Bracket, Neutral Start Switch	1	998592			
9	Capcrew, Neutral Switch Bracket	2	1C406			
	Lockwasher	2	8E4CR			
10	Switch, Neutral Starting	1	999319			
11	Spacer, Neutral Switch	1	998623			
12	Bolt, Neutral Switch Mounting	1	18C416			
	Washer	1	998624			
	Washer	1	25E13			
	Nut	1	998625			
13	Washer, Switch Actuating Rod	1	998626			
	Cotter	1	1F208			
14	Bracket, Shift Cable	1	998594			
15	Bolt, Shift Cable Bracket	2	1C410			
	Lockwasher	2	8E4CR			
	Nut	2	61D4			
16	Boot, Gate Plate	1	999320			
17	Clamp, Handle	1	905634			
18	Bolt	1	2C516			
	Locknut	1	86D5H			
19	Bracket, Handle Clamp	1	905781			
20	Bolt	2	1C414			
	Nut	2	999899			
21	Spacer Plate	1	905784			
22	Lock Plate	1	905786			
23	Bolt	2	2C416			
	Spacer	2	905897			
	Nut	2	998625			
24	Clevis Pin	1	905898			
	Spacer (9/32")	1	905897			
	Spacer (9/17")	1	905900			
	Washer	1	998626			
	Cotter	1	1F308			

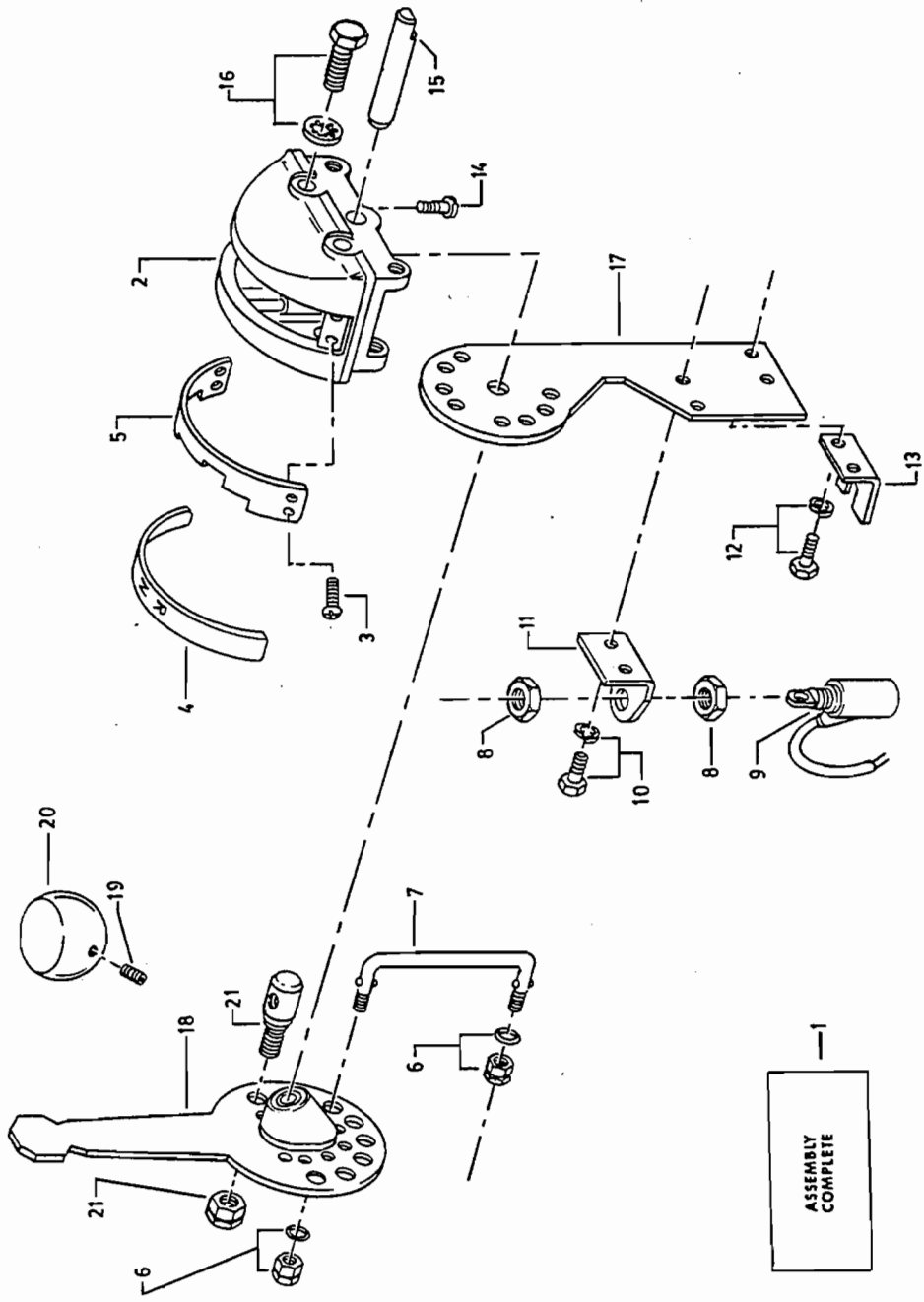
SHIFTER
ASSEMBLY



REV JUL 79

SHIFTER ASSEMBLY

7101-P



Item	TRANSMISSION CONTROL ASSEMBLY (USE ILLUSTRATION 7268-P)	Req'd	Description
1	1	1	Transmission Control Assembly
2	1	1	Housing, Shift Control
3	4	4	Screw, Gate Plate
4	1	1	Position Indicator Strip
5	1	1	Gate Plate
6	2	2	Nut
7	2	2	O-Ring
8	1	1	Link, Neutral Safety Switch
9	2	2	Nut
10	1	1	Neutral Safety Switch
11	2	2	Capcrew
12	2	2	Lockwasher
13	1	1	Bracket, Neutral Safety Switch
14	2	2	Capcrew
15	2	2	Lockwasher
16	1	1	Bracket, Cable Anchor
17	1	1	Screw
18	1	1	Shaft
19	2	2	Capcrew
20	2	2	Lockwasher
21	1	1	Adaptor Plate
	1	1	Lever
	1	1	Setscrew
	1	1	Knob
	1	1	Trunion Kit

NOV 80

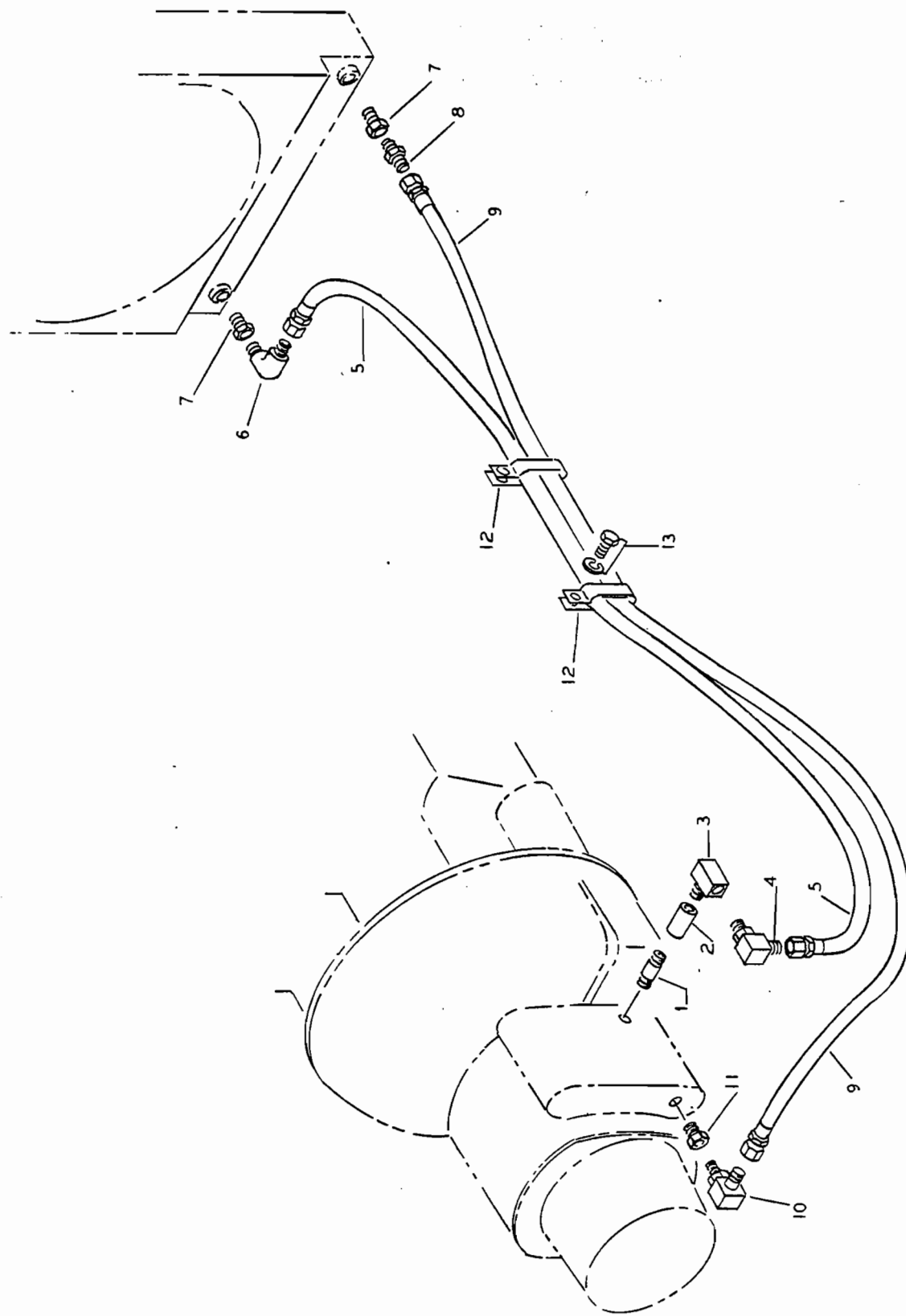
107-B

x147

CTAE-1-4530
AND ABOVE

Item

1 2 3 4 5 6 7 8 9 10 11 12 13 14 15 16 17 18 19 20 21



6712-P

TRANSMISSION COOLING LINES

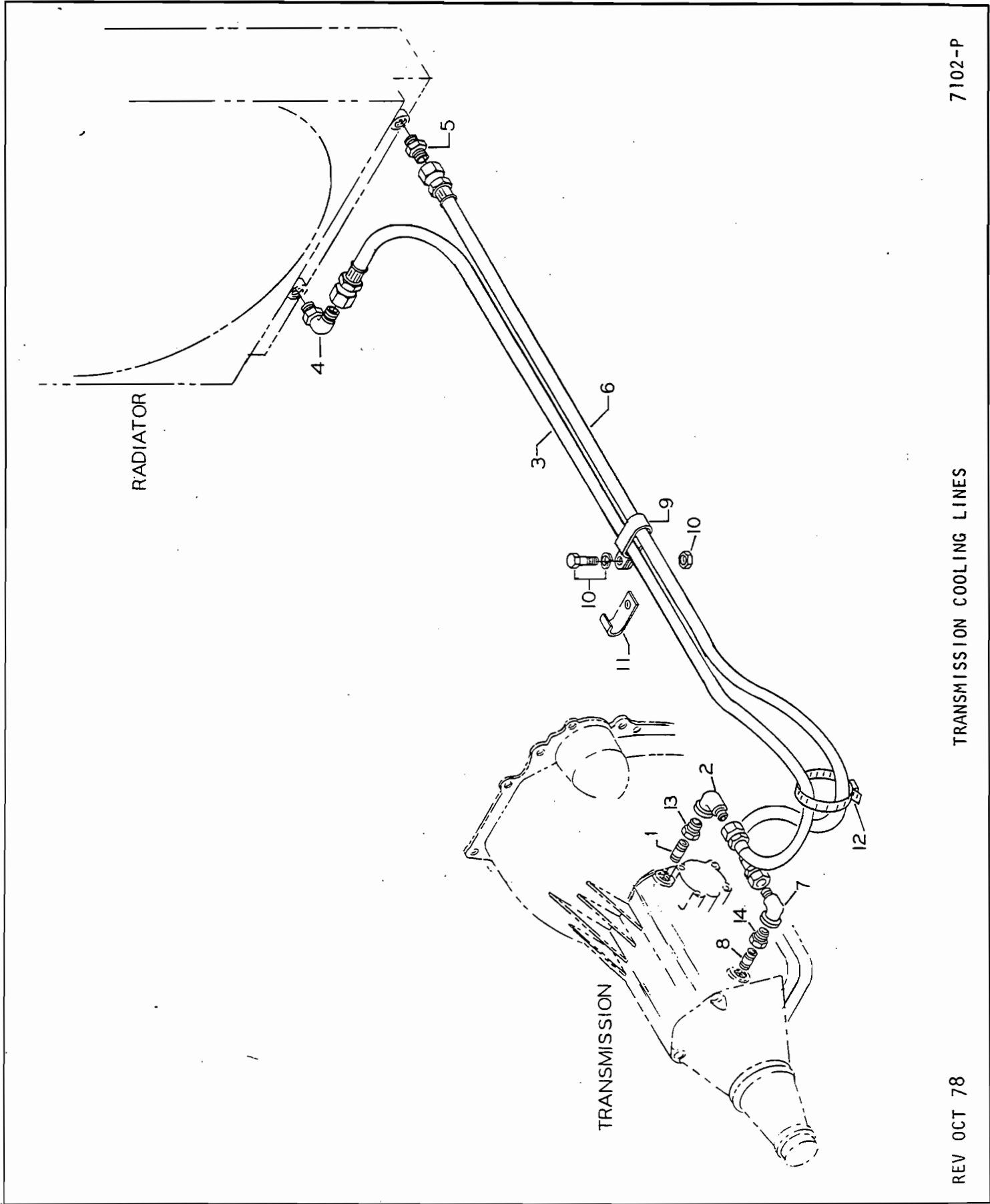
JAN 75

OCT 77

109

X147

Item	Description	Req'd	CTAE-1-3250 thru Lot 3765	Item
1	Nipple, Pipe	1	5K210	1
2	Coupling	1	75F2	2
3	Elbow	1	62F5	3
4	Elbow	1	1311811	4
5	Hose Assembly, Transmission to Radiator	1	1312820	5
6	Elbow	1	83F6	6
7	Not Used			7
8	Connector	1	89F6	8
9	Hose Assembly, Radiator to Transmission	1	1312820	9
10	Elbow	1	1311811	10
11	Valve, Check	1	995136	11
12	Clip, Hose	1	31H43	12
13	Capscrew, Clip Lockwasher	1	1C712 23E07	13

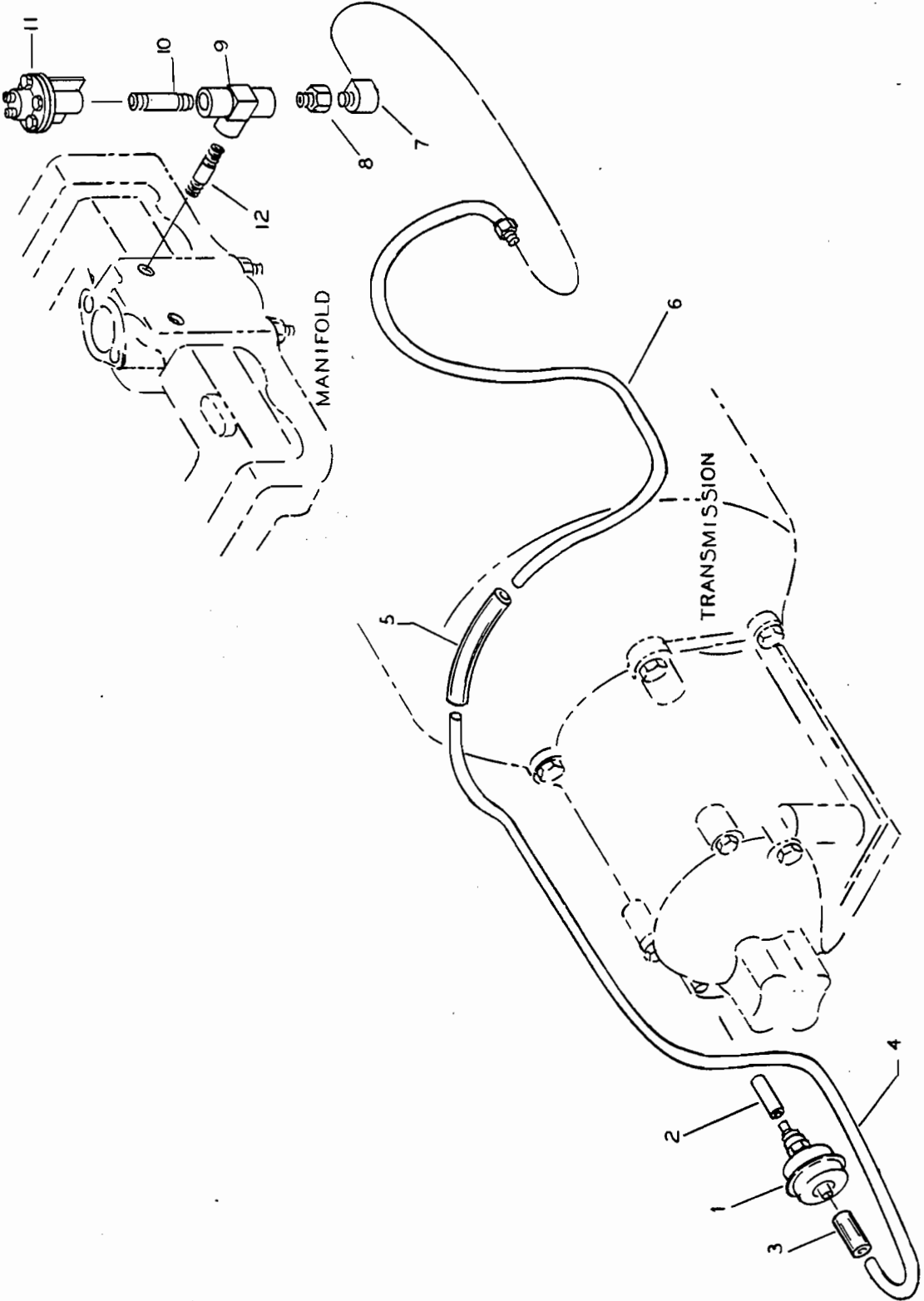


Item	Description	Req'd	CTAE-1-3815 thru Lot 3815	CTAE-1-4140 AND ABOVE	Item	Description	Req'd	CTAE-1-3815 thru Lot 3815	CTAE-1-4140 AND ABOVE
1	Connector, Transmission Inlet	1	59F4	5K106	1	Connector, Transmission Inlet	1	59F4	5K106
2	Elbow, Transmission Inlet	1	1311811	85F6	2	Elbow, Transmission Inlet	1	1311811	85F6
3	Hose, Cooler Outlet	1	1312820		3	Hose, Cooler Outlet	1	1312820	
4	Elbow, Cooler Outlet	1	83F6		4	Elbow, Cooler Outlet	1	83F6	
5	Connector, Cooler Inlet	1	89F6		5	Connector, Cooler Inlet	1	89F6	
6	Hose, Cooler Inlet	1	1312820		6	Hose, Cooler Inlet	1	1312820	
7	Elbow, Transmission Outlet	1	1311811		7	Elbow, Transmission Outlet	1	1311811	
8	Connector, Transmission Outlet	1	59F4		8	Connector, Transmission Outlet	1	59F4	
9	Clip, Hose	1	31143		9	Clip, Hose	1	31143	
10	Capscrew, Hose Clip	1	1C616		10	Capscrew, Hose Clip	1	1C616	
	Lockwasher	1	23E7			Lockwasher	1	23E7	
11	Clip, Wiring Harness	1	Not Used	2330825	11	Clip, Wiring Harness	1	Not Used	2330825
12	Tie Strap, Transmission Lines	2	1715311		12	Tie Strap, Transmission Lines	2	1715311	
13	Connector, Trans. Inlet	1	Not Used	19F2	13	Connector, Trans. Inlet	1	Not Used	19F2
14	Connector, Trans. Outlet	1	Not Used	19F2	14	Connector, Trans. Outlet	1	Not Used	19F2

AUG 78

109A

X147



Item	DESCRIPTION (USE ILLUSTRATION 6708-P)	Req'd	CTAE-1-3250 thru Lot 3765	CTAE-1-3815 AND ABOVE	Item
1	Diaphragm, Transmission Kick-Down	1	890795	999694	1
2	Rod, Transmission Kick-Down	1	996457	999697	2
3	Diaphragm	1	662392		3
4	Hose, Vacuum Line	1	N.S.S.		4
5	Tube, Vacuum Line	8"	662392		5
6	Hose, Vacuum Line	1	996459		6
7	Tube, Vacuum Line	1	507729		7
8	Elbow, Vacuum Line	1			8
9	Not Used				9
10	Tee, Vacuum Line	1	28F1		10
11	Nipple, Vacuum Switch	1	5K220		11
12	Switch, Vacuum	1	2315089		12
	Nipple, Intake Manifold	1	5K210		

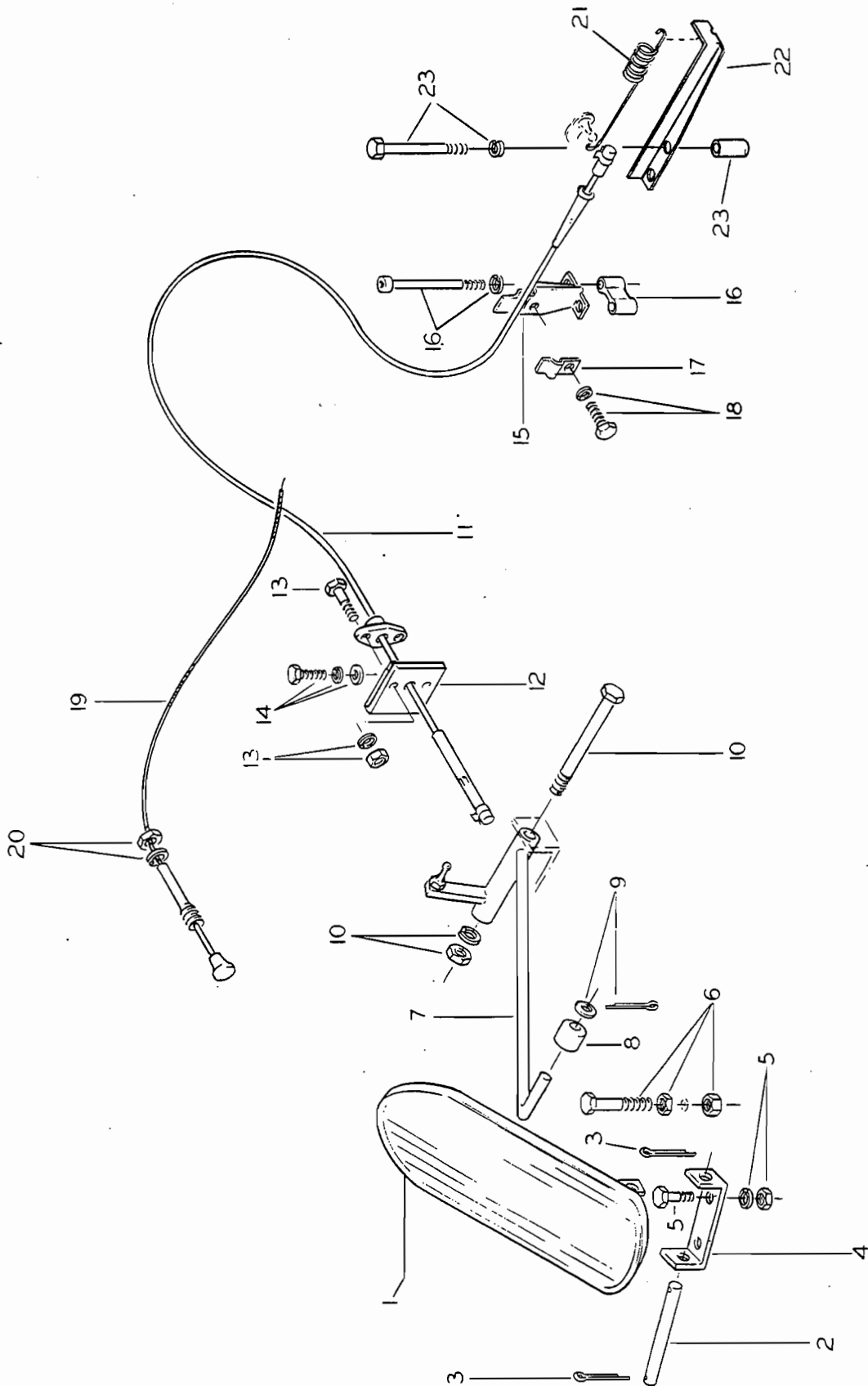
JUN 78

111

X147

See also 7425P

P. 167



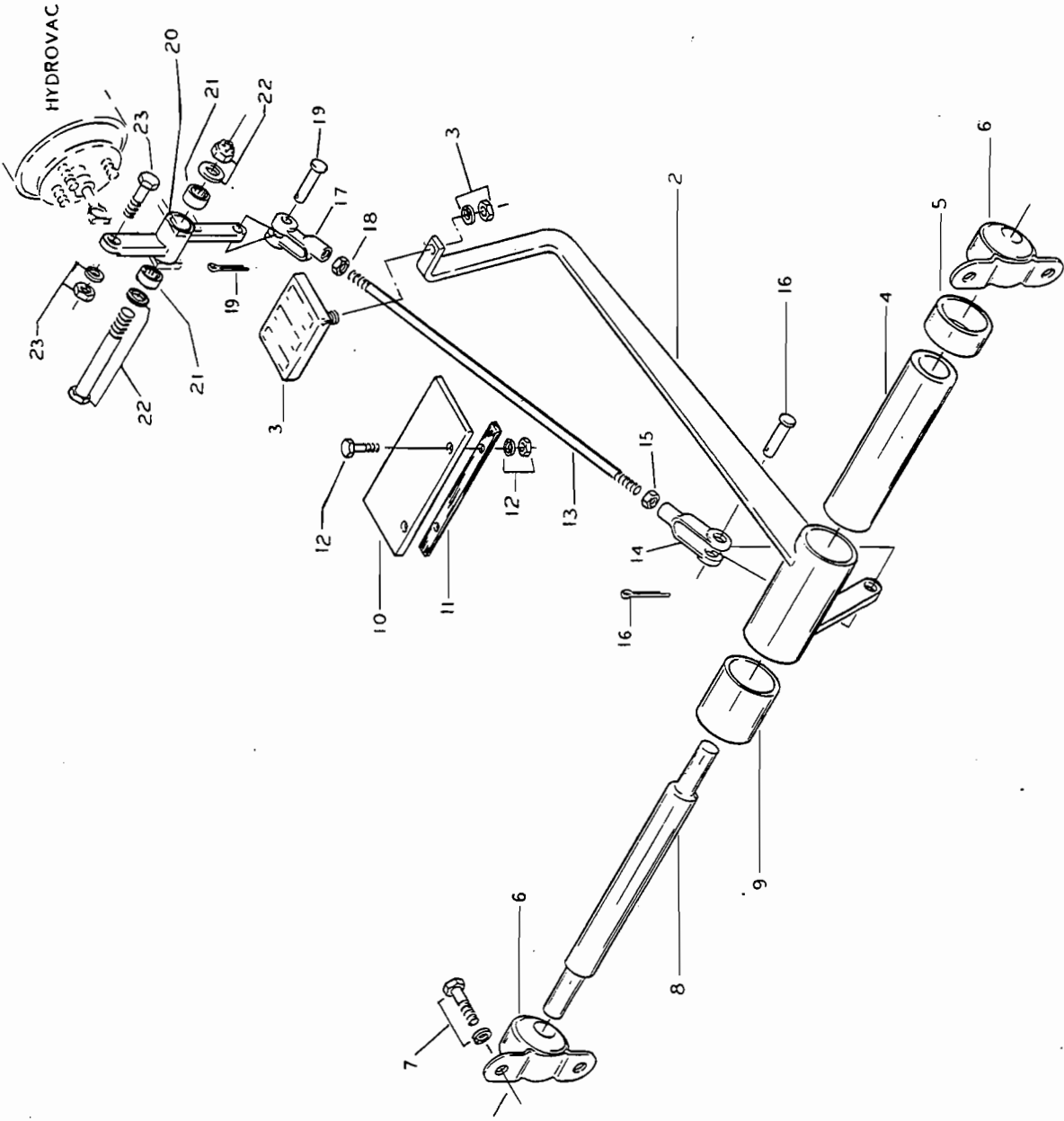
Item	Description	Req'd	CTAE-1-3250 thru Lot 3765 AND ABOVE			Item
			CTAE-1-3815	CTAE-1-3815	AND ABOVE	
1	Pedal, Accelerator	1	664983		1	
2	Pin, Pedal to Bracket Pivot	1	623762		2	
3	Cotter Pin, Pivot Pin	1	1F-316	1F312	3	
4	Bracket, Pedal Mounting	1	664984		4	
5	Bolt, Accelerator Pedal Bracket	2	2C-410J		5	
	Lockwasher	2	23E04			
	Nut	2	62D-04J			
6	Bolt, Accelerator Pedal	1	2C-532J		6	
	Nut	2	8D-05J			
7	Lever, Accelerator	1	1697346		7	
8	Roller, Accelerator Pedal	1	1663494		8	
9	Washer, Accelerator Pedal Roller	1	664423		9	
	Cotter Pin	1	1F-410J			
10	Bolt, Accelerator Lever	1	1311191		10	
	Washer	1	664403			
	Nut	1	17D-2J			
11	Cable, Accelerator Control	1	1780628	59D5	11	
12	Bracket, Accelerator Control Cable	1	1697319		12	
13	Bolt, Accelerator Control Cable	2	1C-412J		13	
	Lockwasher	2	23E04			
	Nut	2	61D04J			
14	Bolt, Control Cable Bracket	2	1C-416J		14	
	Washer	2	664421			
	Lockwasher	2	4E-04			
15	Bracket, Accelerator Cable	1	890844	999505	15	
16	Bolt, Accelerator Cable	2	1C-548J	Not Used	16	
	Bolt, Accelerator Cable	4	Not Used	1C-520		
	Lockwasher	2	23E-05	Not Used		
	Lockwasher	4	Not Used	23E4		
	Spacer	1	890845	Not Used		
	Spacer	4	Not Used	999526		
17	Clip, Cable to Bracket	1	895524		17	
18	Screw, Bracket Clip	1	1C-410J		18	
	Lockwasher	1	23E-04			
19	Control, Choke	1	2342357		19	
20	Nut, Choke Control	1	62D-06J		20	
	Lockwasher	1	9E06			
21	Spring, Accelerator Return	1	2352605		21	
22	Bracket, Accelerator Return Spring	1	990375		22	
23	Bolt, Acc. Return Spring Bracket	1	1C-548J		23	
	Lockwasher	2	23E-05			
	Spacer	2	302551			

OCT 77

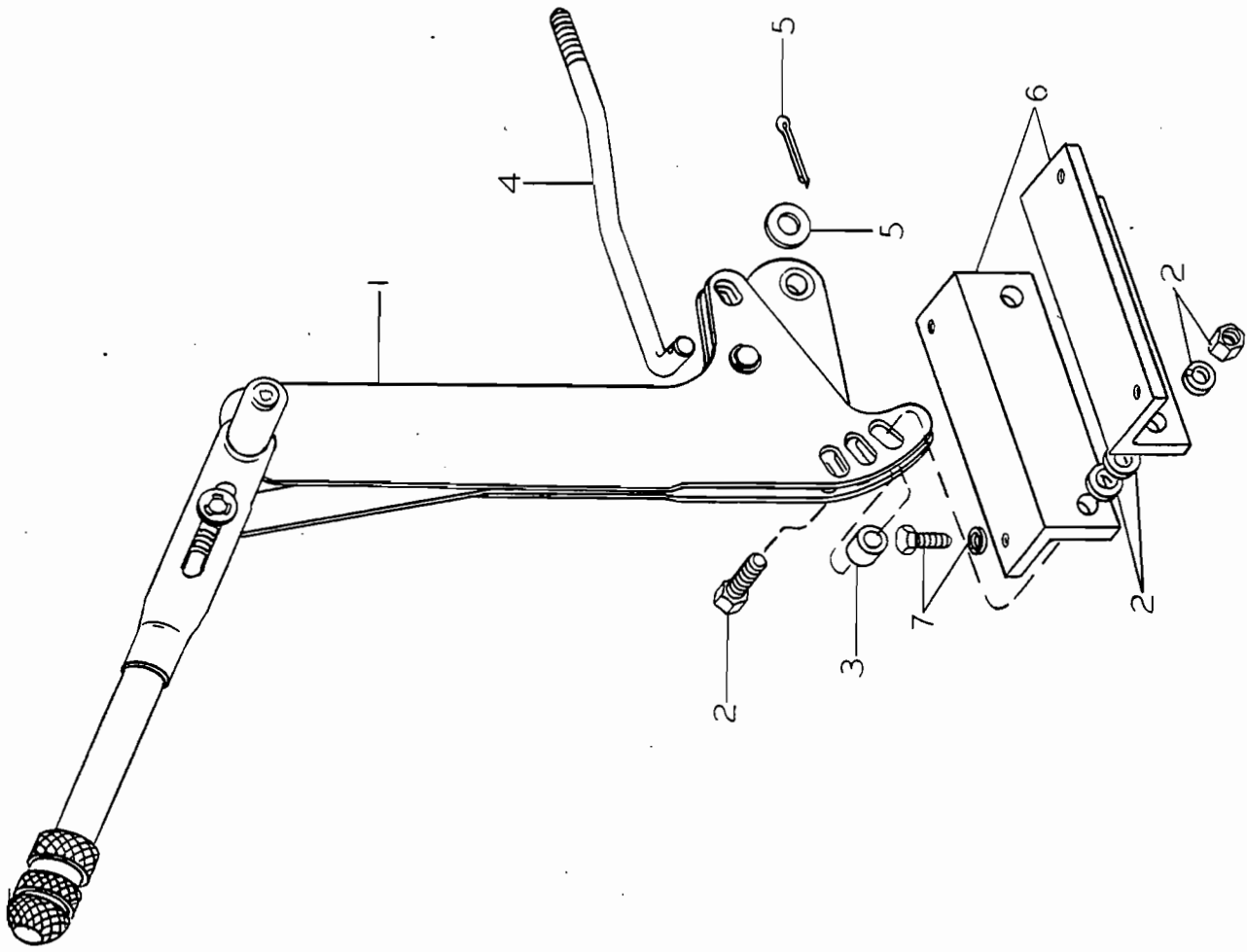
113

X147

BRAKE PEDAL AND LINKAGE



Item	BRAKE PEDAL AND LINKAGE (USE ILLUSTRATION 6637-P)		Req'd	CTAE-1-3250 thru Lot 3765	CTAE-1-3815 thru Lot 4441	CTAE-1-4530 AND ABOVE	115	JAN 80	Item
	Description								
2	Pedal, Brake		1	1697352					2
3	Pad, Brake Pedal		1	623828					3
	Lockwasher		1	23E6					
	Nut		1	61D6					
4	Bearing, Brake Pedal		2	654387					4
5	Spacer, Brake Pedal		1	1311061					5
6	Pillow Block, Brake Pedal Shaft		2	1697364					6
7	Capcrew, Pedal Shaft Pillow Block		4	2C616					7
	Lockwasher		4	23E6					
	Washer		4	25E17					
8	Shaft, Brake Pedal		1	1697353					8
9	Spacer, Brake Pedal		1	1311062					9
10	Plate, Brake Pedal		1	1311066					10
11	Pad, Brake Pedal Stop		1	1700018					11
12	Capcrew, Brake Pedal Stop		2	1C422					12
	Capcrew, Brake Pedal Stop		1						
	Lockwasher		2	23E4					
	Lockwasher		1	Not Used					
	Washer		2	25E13					
	Washer		1						
	Nut		2	61D4					
	Nut		1						
13	Rod, Brake Pedal		1	661951					13
14	Clevis, Brake Pedal Rod		1	2J8300					14
15	Nut, Brake Pedal Rod		1	62D8					15
	Cotter Pin		1	1F410					
16	Pin, Brake Pedal Rod Clevis		1	2F8127					16
17	Clevis, Brake Pedal Rod		1	613269					17
18	Nut, Brake Pedal Rod		1	62D8					18
	Cotter Pin		1	1F410					
19	Pin, Brake Pedal Rod Clevis		1	2F8127					19
20	Bellcrank, Brake Linkage Pivot		1	1697354					20
21	Bearing, Brake Linkage Pivot Arm		2	667214					21
22	Shoulder Bolt, Rivot Arm		1	1311093					22
	Washer		1	25E25					
	Locknut		1	20010					
23	Capcrew (Eccentric), Pivot Arm		1	316687					23
	Lockwasher		1	23E6					
	Locknut		1	60D6					

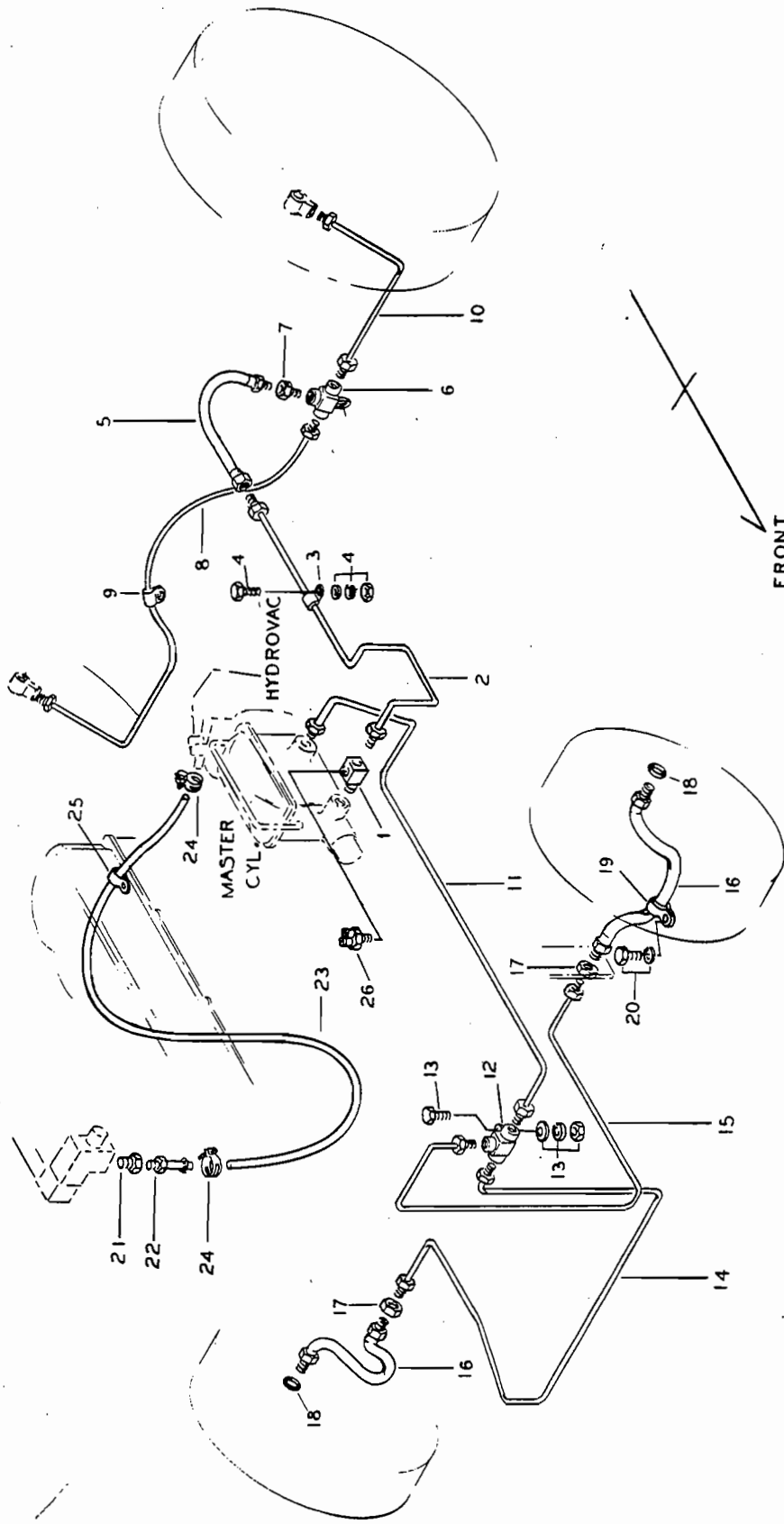


OCT 77

117

X147

Item	Description PARKING BRAKE LINKAGE (USE ILLUSTRATION 6984-P)	Req'd	CTAE-1-3250 thru Lot 3765	CTAE-1-3815 AND ABOVE	Item
1	Lever, Parking Brake	1	695423	2351296	1
2	Bolt, Parking Brake Lever Lockwasher	2	1C-632R 23E-06		2
3	Nut	2	61D-06J		3
4	Spacer, Parking Brake Lever	2	652444	2353228	4
5	Rod, Brake Lever to Brake Draw Washer, Draw Rod to Brake Lever	1	1697298		5
6	Cotter Pin	1	664423		6
7	Not Used	1	1F-312J		7
	Not Used				



6638-P

HYDRAULIC BRAKE

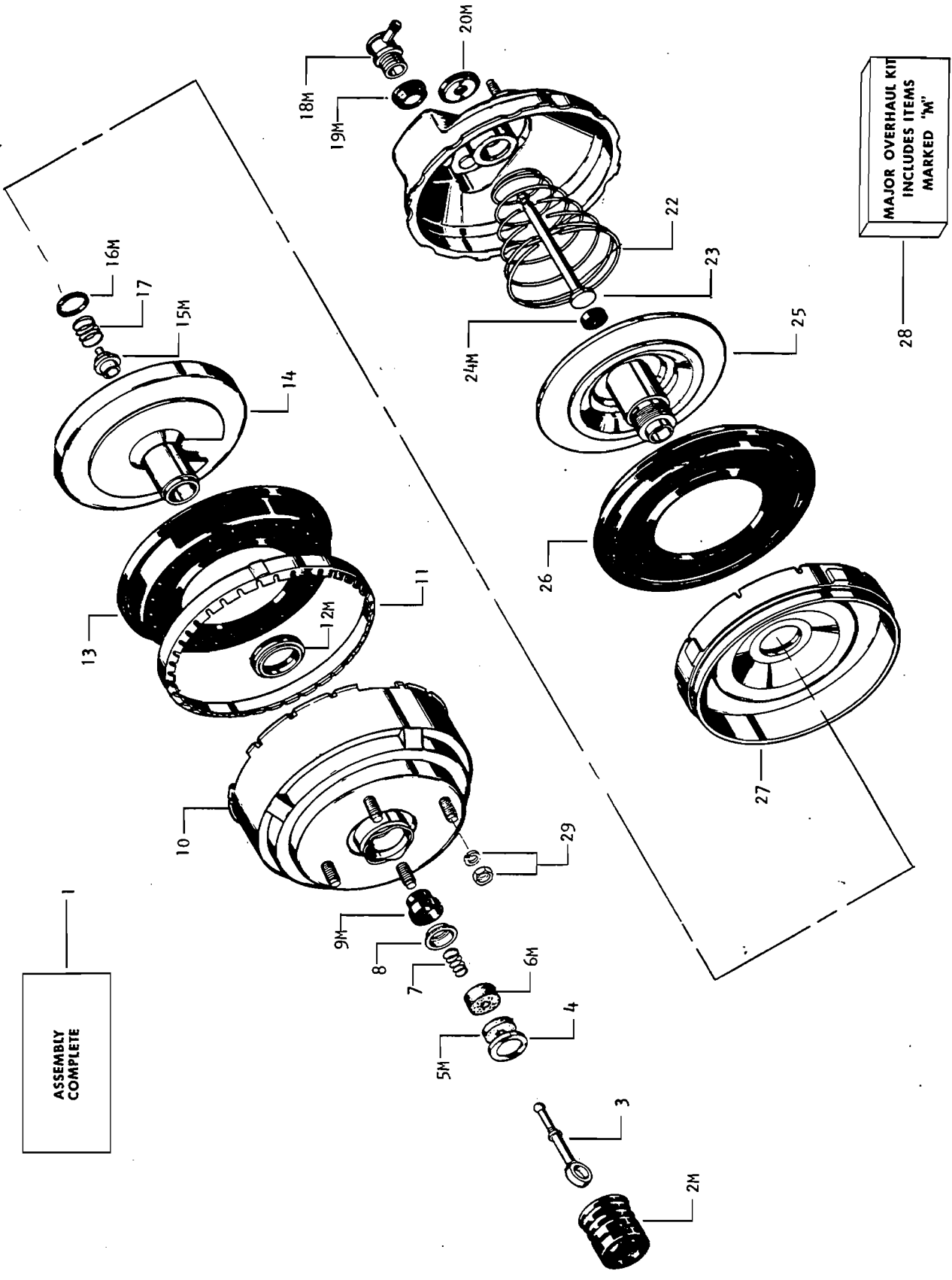
JAN 75

Item	Description	Req'd	Lot						Item
			CTAE-1-3250 thru Lot 3765	CTAE-1-3815 thru Lot 4140	CTAE-1-4185 AND ABOVE				
1	Tee, Master Cylinder	1	1721888					1	
2	Tube Assembly, Rear Brake Line	1	1697395					2	
3	Clip, Tube	3	30H14					3	
4	Bolt, Clip	3	1C416J					4	
	Washer	3	664421						
	Lockwasher	3	23E04						
	Nut	3	61D04J						
5	Hose Assembly, Rear Brake Line	1	2350629					5	
6	Tee, Rear Brake	1	609733					6	
7	Adaptor, Tee	1	1722260					7	
8	Tube Assembly, RR Brake	1	633555					8	
9	Clip, Tube	1	6H5G					9	
10	Tube Assembly, LR Brake	1	633556					10	
11	Tube Assembly, Front Brake Line	1	1697391					11	
12	Tee, Front Brake	1	707415		2357051			12	
13	Bolt, Clip	1	1C516R			601793		13	
	Washer	1	25E16R						
	Lockwasher	1	23E05						
	Nut	1	61D05R						
14	Tube Assembly, RF Brake	1	1697394					14	
15	Tube Assembly, LF Brake	1	1697393					15	
16	Hose Assembly, Front Brake	2	329711			2360745		16	
17	Nut, Front Brake Line	2	8D10J					17	
18	Washer, Front Brake Line	2	659861					18	
19	Clip, Hose	1	30H29					19	
20	Capscrew, Clip	1	1C410J					20	
	Lockwasher	1	23E04						
21	Bushing	1	19F3					21	
22	Fitting, Hose	1	666864					22	
23	Hose, Hydrovac	52"	655267					23	
24	Clamp, Hose	2	4H11		364199			24	
25	Clip, Hose	1	31H30					25	
26	Switch, Stopligh	1	620313					26	

JUL 79

119

x147



NOV 76

HYDROVAC UNIT

6986-P

OCT 76

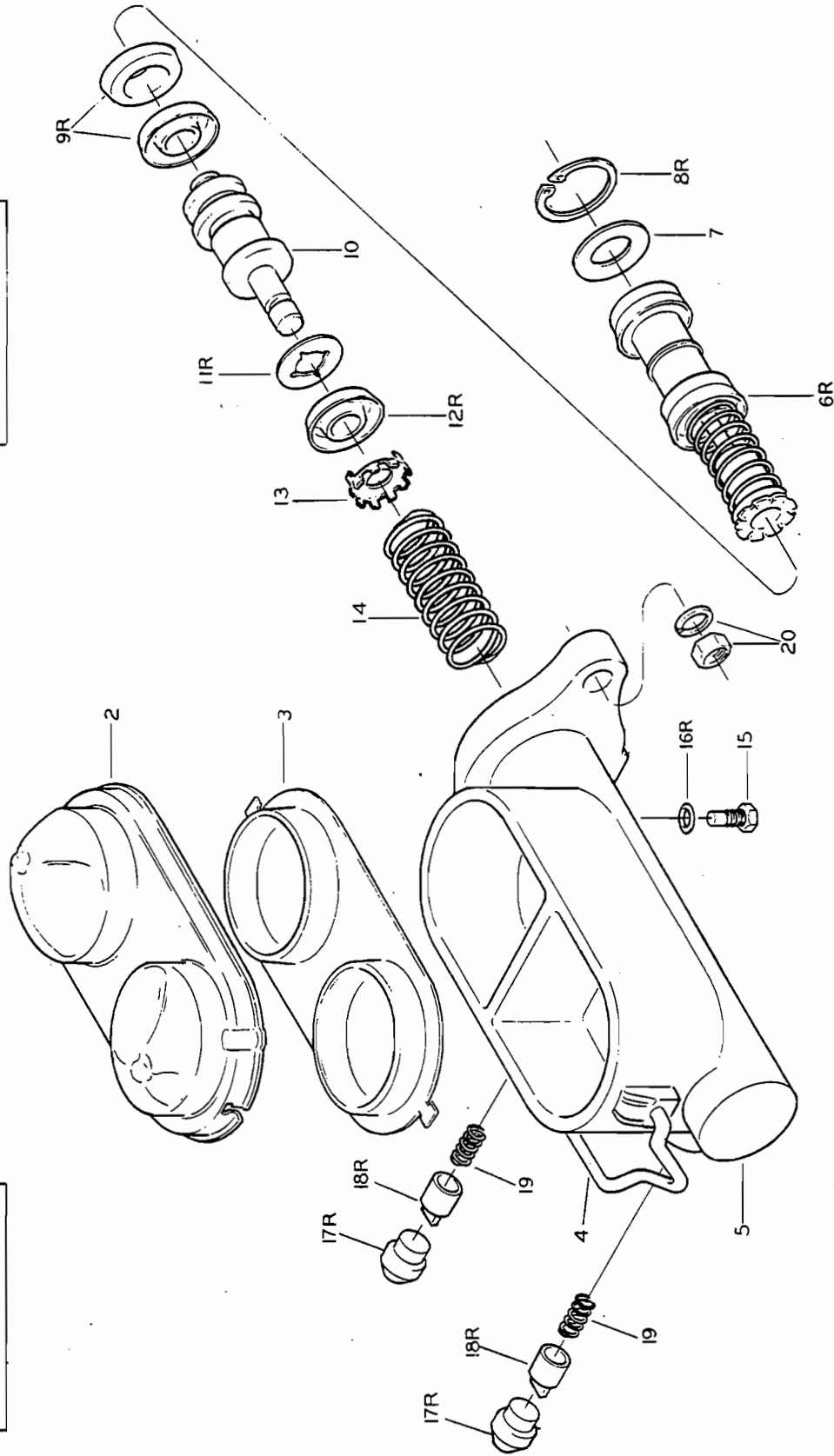
121

X147

Item	HYDROVAC (USE ILLUSTRATION 6986-P)	Req'd	CTAE-1-3250 AND ABOVE			Item
Description						
1 Assembly, Hydrovac		1	890876			1
2 Boot, Hydrovac Push Rod		1	**28			2
3 Rod, Hydrovac Valve Push		1	tt			3
4 Retainer, Hydrovac Air Cleaner Filter		1	tt			4
5 Silencer, Hydrovac Poppet Valve		1	**28			5
6 Filter, Hydrovac Air Cleaner		1	**28			6
7 Spring, Hydrovac Valve Poppet		1	tt			7
8 Retainer, Hydrovac Valve Poppet		1	tt			8
9 Poppet Kit, Hydrovac Valve		1	890877			9
10 Cover, Hydrovac Rear		1	tt			10
11 Retainer, Hydrovac Diaphragm		1	tt			11
12 Seal, Hydrovac Valve Body		1	**28			12
13 Diaphragm, Hydrovac (Rear)		1	890878			13
14 Plate, Hydrovac Rear Diaphragm		1	tt			14
15 Piston, Hydrovac Valve		1	**28			15
16 Seal, Diaphragm Front Plate		1	**28			16
17 Spring, Hydrovac Valve Piston Return		1	tt			17
18 Check Valve, Hydrovac		1	895969			18
19 Grommet, Hydrovac Check Valve		1	**28			19
20 Seal, Hydrovac Push Rod		1	**28			20
21 Cover, Hydrovac Front		1	tt			21
22 Spring, Diaphragm Return		1	tt			22
23 Push Rod, Master Cylinder		1	tt			23
24 Disc, Hydrovac Reaction		1	**28			24
25 Plate, Hydrovac Front Diaphragm		1	tt			25
26 Diaphragm, Hydrovac Front		1	890879			26
27 Plate, Hydrovac Center		1	tt			27
28 Overhaul Kit, Hydrovac		1	890880		**Not Sold - Use Item Listed	28
29 Lockwasher, Hydrovac Mounting Nut		4	23E-06		ttSold Only By Special Arrangement	29
		4	61D-06J			

ASSEMBLY
COMPLETE

REPAIR KIT
INCLUDES ITEMS
MARKED "R"

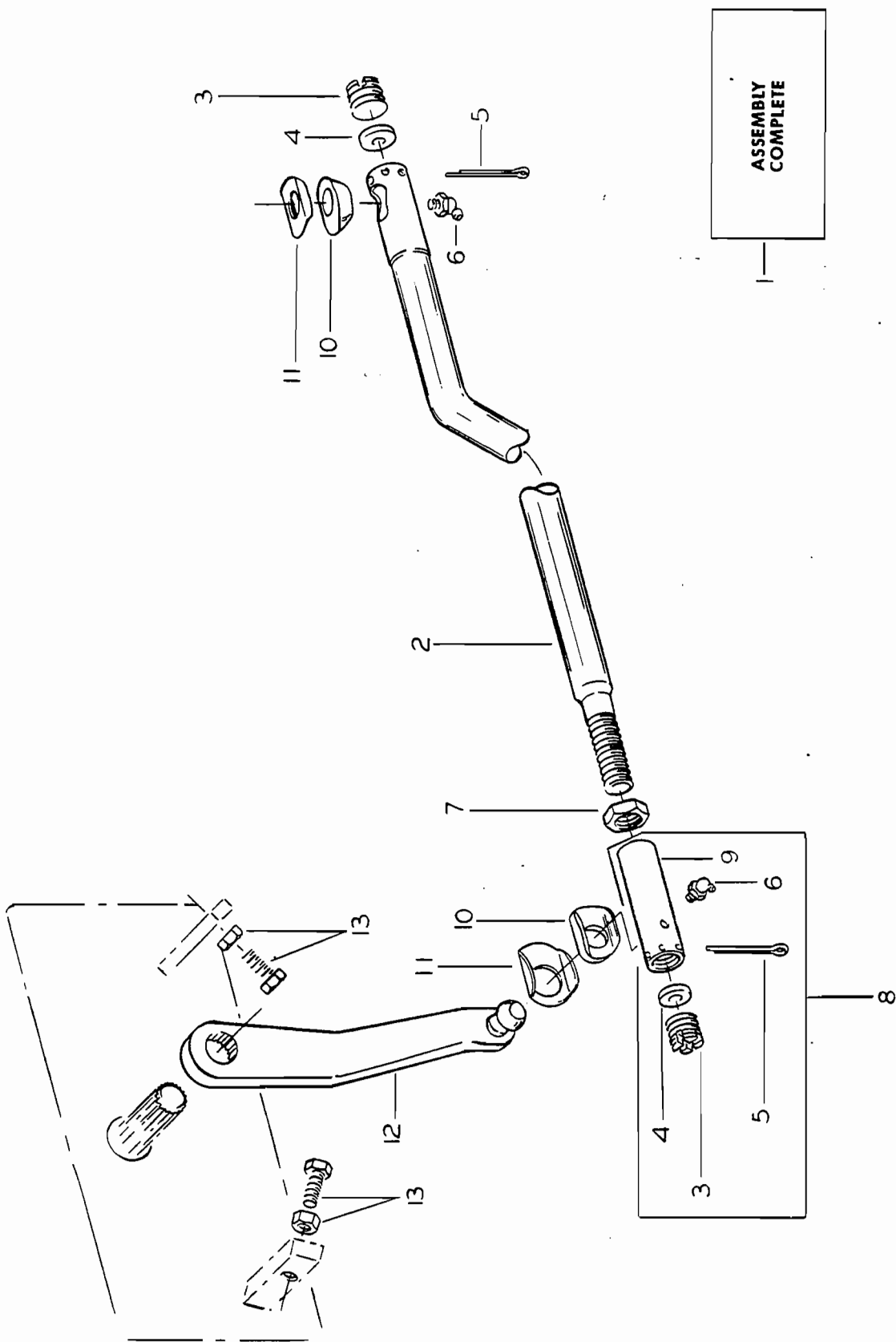


OCT 76

123

x147

Item	Description	Req'd	CTAE-1-3250 AND ABOVE	Part No.	QTY	UNIT	REMARKS	Item
1	Master Cylinder Assembly	1		890870				1
2	Cover, Master Cylinder Filler	1		890871				2
3	Gasket, Master Cylinder Filler Cap	1		890872				3
4	Bail, Master Cylinder Filler Cap	1		890873				4
5	Body, Master Cylinder	1		**1				5
6	Piston, Master Cylinder High Pressure	1		**21				6
7	Stop Plate, Master Cylinder Piston	1		tt				7
8	Retainer, Master Cylinder Piston Stop Plate	1		**21				8
9	Cup, Master Cylinder Secondary	1		**21				9
10	Piston, Master Cylinder Low Pressure	1		tt				10
11	Protector, Master Cylinder Low Pressure Cup	1		**21				11
12	Cup, Master Cylinder Low Pressure Retainer, Master Cylinder Low Pressure Cup	1		**21				12
13	Retainer, Master Cylinder Low Pressure Cup	1		tt				13
14	Spring, Master Cylinder Secondary Return	1		tt				14
15	Stop, Master Cylinder Piston Seal, Master Cylinder Piston Stop	1		tt				15
16	Seat, Master Cylinder Outlet Tube	1		**21				16
17	Valve, Master Cylinder Check	2		**21				17
18	Spring, Master Cylinder Check Valve	2		**21				18
19	Nut, Brake Master Cylinder Mounting	2		890874				19
20	Lockwasher	2		62D-06				20
21	Repair Kit, Master Cylinder	1		23E-06				21
	tt Sold Only By Special Arrangement ** Not Sold - Use Item Listed							



6973-P

STEERING LINKAGE

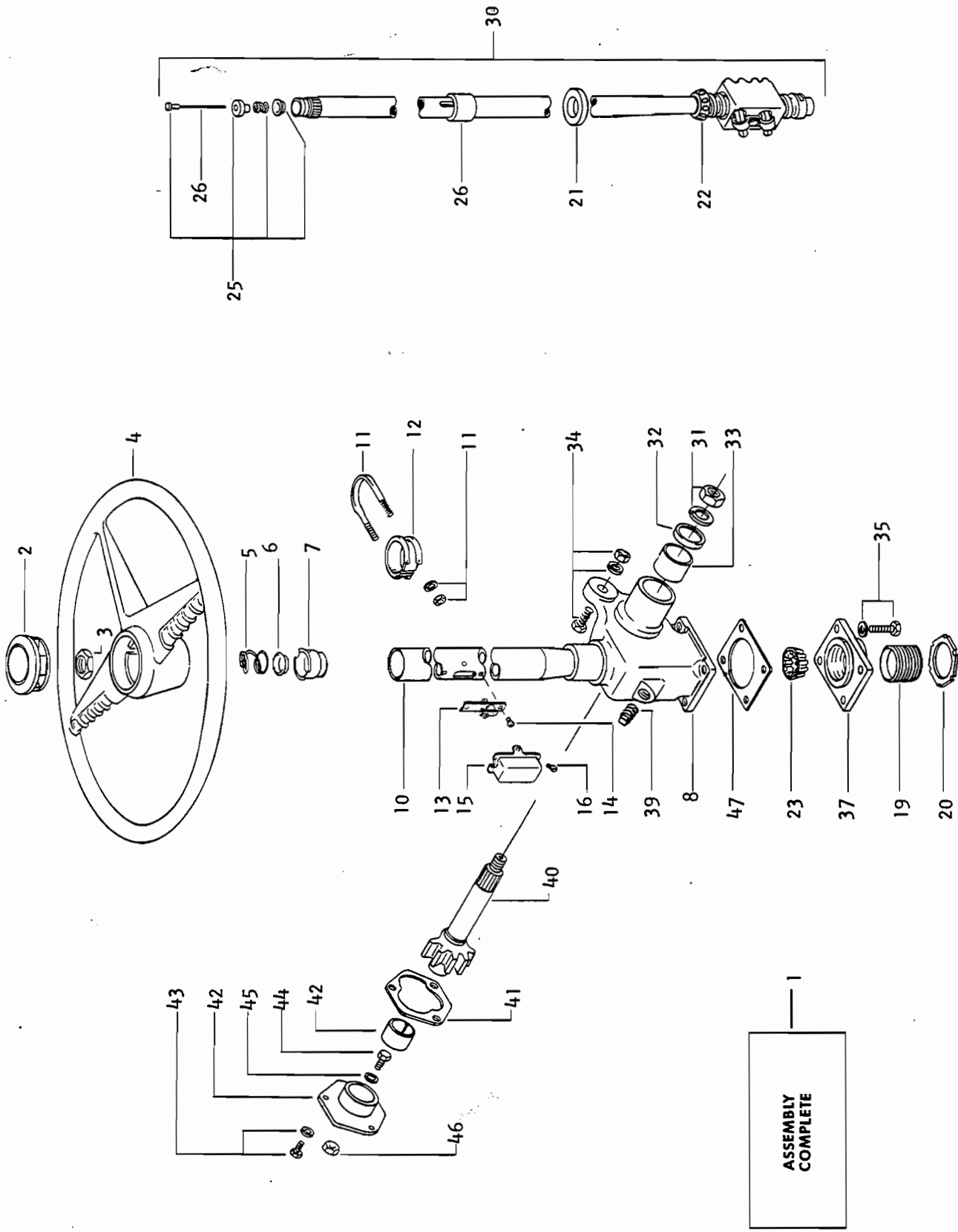
OCT 76

OCT 76

125

X147

Item	AND ABOVE CTAE-1-3250	Req'd	Description
1	1697350	1	Drag Link Assembly, Complete
2	**1	1	Drag Link
3	100187	1	Plug, Ball Socket
4	100186	1	Cup, Ball Socket Pressure
5	1F-436J	2	Cotter Pin, Drag Link Socket Nut
6	11H-2	2	Fitting, Lubrication
7	8D-16J	1	Nut, Drag Link Socket Lock
8	1810311	1	Socket Assembly, Drag Link
9	**8	1	Socket, Adjustable
10	635451	2	Seal, Ball Socket Dust
11	635448	2	Shield, Ball Socket Dust
12	1756897	1	Arm, Pitman
13	2C-824J	2	Bolt, Pitman Arm Stop
	8D-08J	2	Nut



ASSEMBLY COMPLETE

6974-P

STEERING GEAR

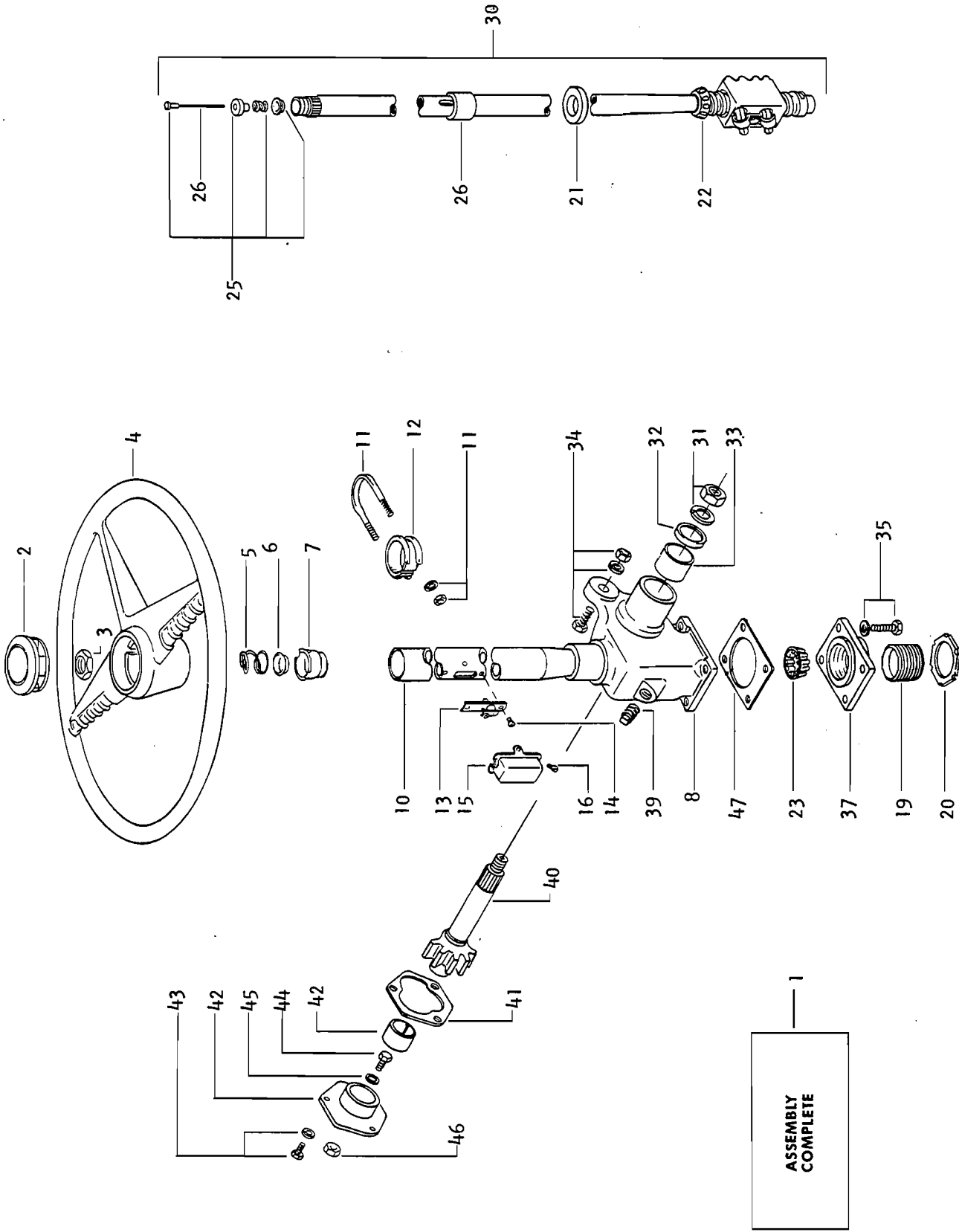
OCT 76

OCT 76

127

x147

Item	Description	Req'd	CTAF-1-3250 AND ABOVE
1	Steering Gear Assembly	1	1697360
2	Horn Button Kit	1	1810590
3	Nut, Handwheel	1	648304
4	Handwheel, Steering	1	1700131
5	Spring, Upper Bearing	1	853395
6	Seat, Upper Bearing Spring	1	853394
7	Bearing, Upper	1	853370
10	Jacket, Steering Column		**38
11	Not Used		
12	Not Used		
13	Connector, Horn	1	622026
14	Screw, Horn Connector	2	622027
15	Cover, Horn Cable Connector	1	622028
16	Screw, Connector Cover	2	36-1003
	Lockwasher	2	17E-10
19	Adjustor, Thrust Bearing	1	853186
20	Nut, Bearing Adjustor Lock	1	851766
21	Cup, Worm Thrust Bearing Upper	1	851764
22	Bearing, Worm Thrust - Upper	1	**30
23	Bearing, Worm Thrust - Lower	1	851765
25	Terminal Assembly, Horn Cable	1	853368
26	Cable & Contact, Horn	1	890280
30	Shaft & Ball Nut Assembly, Steering Gear	1	890281
31	Lockwasher, Pitman Arm	1	2E-14
	Nut	1	865801
32	Seal, Pitman Shaft	1	880551
33	Bushing, Pitman Shaft	1	850063
34	Bolt, Steering Gear Mounting	1	1C-816J
	Bolt, Steering Gear Mounting	2	1C-824J
	Lockwasher	3	23E-08J
	Nut	2	61D-08J
35	Washer	2	664406
	Bolt, End Cover	4	1C-616J
	Lockwasher	4	23E-06
37	Cover, End	1	853185
38	Housing Assembly, Jacket & Bushing	1	890282
39	Plug, Filler	1	34F-08
40	Shaft & Gear, Pitman	1	887503
41	Gasket, Side Cover	1	851756
42	Cover & Bushing, Housing Side	1	853182



OCT 76

STEERING GEAR

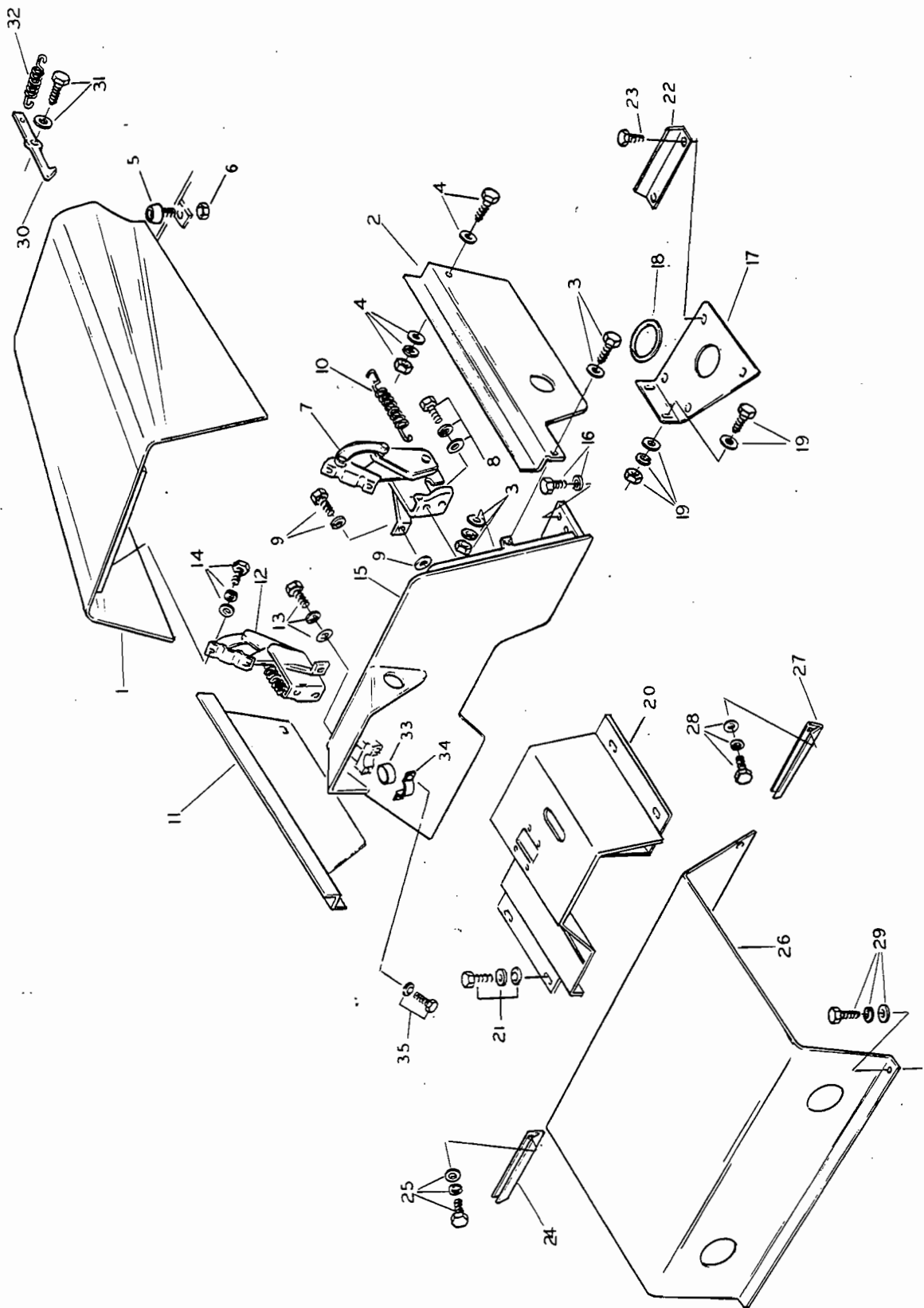
6974-P

OCT 76

129

X147

Item		CTAE-1-3250 AND ABOVE	Req'd	Description	Item
43		1C-612J	3	Bolt, Side Cover	43
44		23E-06	3	Lockwasher	44
45		851770	1	Adjustor, Lash	45
46		853187	1	Shim Kit, Lash Adjustor	46
47		8D-07J	1	Nut, Lash Adjustor	47
48		851768	1	Gasket, End Cover	48
		853384	1	Key, Handwheel	
**Not Sold - Use Item Listed					



6702-P

SHEET METAL

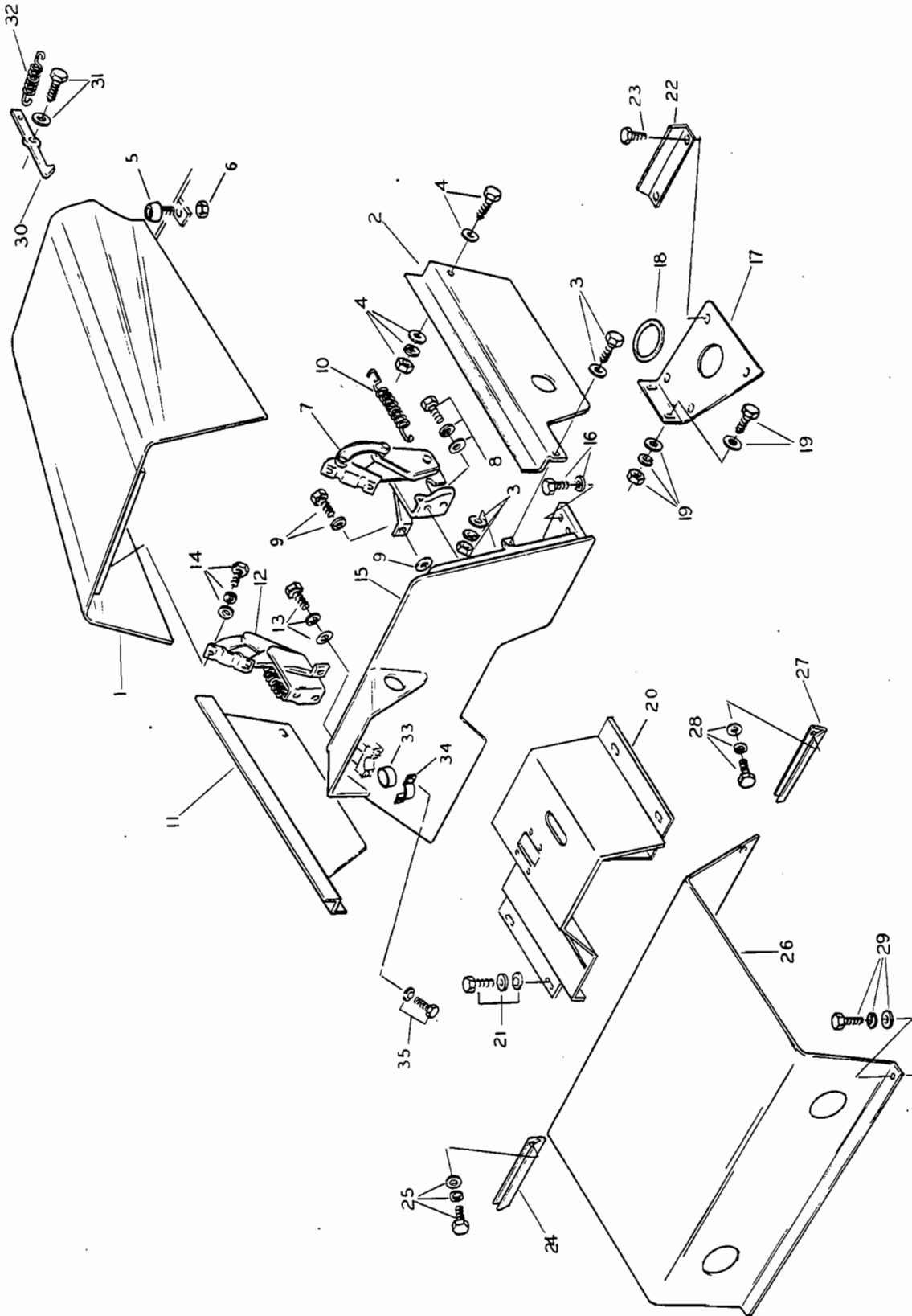
JAN 75

Item	Description	Req'd	CTAE-1-3250 thru Lot 3251						CTAE-1-3815 thru Lot 3765		CTAE-1-4185 thru Lot 4140	CTAE-1-4530 AND ABOVE	Item										
			1697408	1697409	1C-514J	664422	23E05	61D-05J	1C-520J	664422				23E05	61D-05J	1C520	25E15	25E15	2357054	18G1008	Not Used	Not Used	25E10
1	Hood, Top	1	1697408																				1
2	Hood, RH	1	1697409																				2
3	Bolt, Side Hood to Dash	2	1C-514J																				3
	Washer	4	664422																				
	Lockwasher	2	23E05																				
4	Nut	2	61D-05J																				4
	Bolt, Side Hood to Frame	4	1C-520J																				
	Washer	8	664422																				
	Lockwasher	4	23E05																				
	Nut	4	61D-05J																				
5	Bumper, Hood Vibration	2	732733																				5
6	Nut, Hood Vibration Dampener	2	7D-05J																				6
7	Hinge, Top Hood - RH	1	1700118																				7
8	Bolt, Top Hood Hinge	4	1C-612J																				8
	Lockwasher	4	23E06																				
	Washer	4	25E17J																				
9	Bolt, Top Hood Hinge Support	2	1C-612J																				9
	Lockwasher	2	23E06																				
	Washer	2	25E17J																				
10	Spring, Top Hood Hinge	2	510453																				10
11	Hood, LH	1	1697410																				11
12	Hinge, Top Hood - LH	1	1700119																				12
13	Bolt, Side Hood to Dash	2	1C-410J																				13
	Lockwasher	2	23E04																				
	Washer	2	664421																				
14	Bolt, Top Hood	4	1C-616J																				14
	Lockwasher	4	23E06																				
	Washer	4	25E17J																				
15	Firewall, Engine	1	1758926																				15
16	Bolt, Firewall	4	1C-820J																				16
	Lockwasher	4	23E08																				
	Washer	4	25E21J																				
17	Shield, Fuel Tank Filler	1	1697407																				17
18	Seal, Fuel Tank Filler Neck	1	652402																				18
19	Bolt, Fuel Tank Filler Well	2	1C-412J																				19
	Lockwasher	2	23E04																				
	Nut	2	61D04J																				
	Washer	4	25E13J																				
20	Plate, Center Floor	1	1758869																				20
21	Bolt, Center Floor Plate	4	1C-416H																				21
	Lockwasher	4	23E04																				

JAN 80

131

x147



6702-P

SHEET METAL

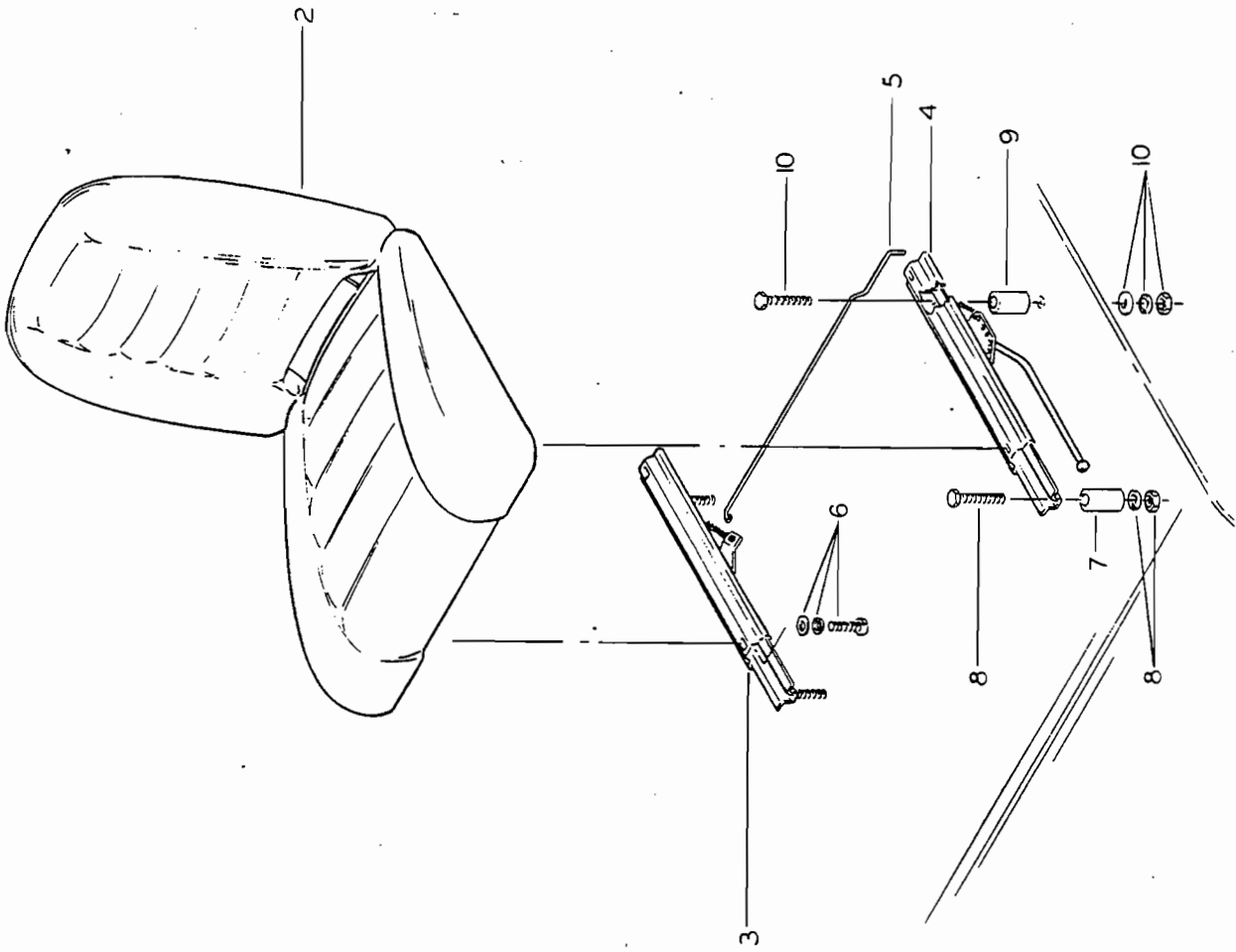
JAN 75

JUL 79

133

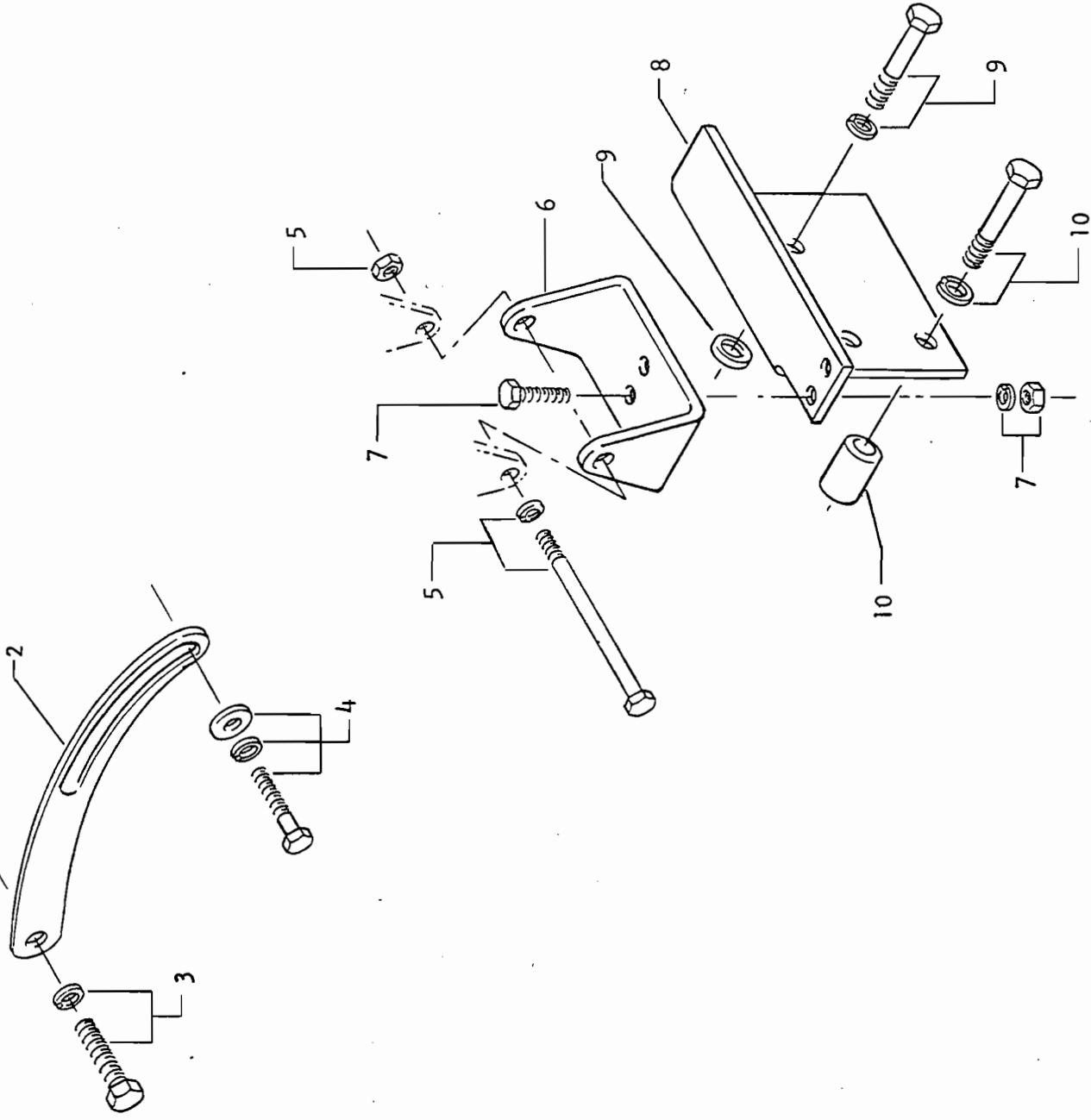
X147

Item	CONT'D SHEET METAL (USE ILLUSTRATION 6702-P) Description	Req'd	CTAE-1-3250 thru Lot 3765	AND ABOVE CTAE-1-3815	Item
21	Washer	4	25E14		21
22	Guard, Fuel Tank Filler	2	1722228		22
23	Guard, Fuel Tank Filler	4	18G1408	18G1008	23
24	Bracket, Rear Deck Cover Support LH	1	755338	755260	24
25	Bolt, Rear Deck Cover Support	1	1C632		25
	Lockwasher	1	23E6		
	Washer	1	664423		
	Nut	1	61D6		
26	Cover (Dual Drive) Rear Deck	1	1758928	Not Used	26
	Cover (Single Drive) Rear Deck	1	1758929	Not Used	
	Cover (Front Half) Rear Deck	1	Not Used	2352964	
	Cover (Rear Half) Rear Deck	1	Not Used	2352963	
27	Bracket, Rear Deck Cover Support RH	1	755338	755260	27
28	Bolt, Rear Deck Cover Support	1	1C632		28
	Lockwasher	1	23E6		
	Washer	1	664423		
29	Nut	1	61D6		29
	Capscrew, Rear Deck Cover	8	1C612	1C636	
	Lockwasher	8	23E6		
30	Washer	8	664423		30
31	Latch, Top Hood	1	1697996	2353538	31
	Shoulder Bolt, Top Hood Latch	1	663957		
	Washer	1	664423		
32	Spring, Top Hood Latch	1	604396		32
33	Cushion, Steering Column	1	655777		33
34	Clamp, Steering Column	1	1697406		34
35	Capscrew, Steering Column Clamp	2	1C516	1C524	35
	Lockwasher	2	23E5		



Item	Description	Req'd	CTAE-1-3250 AND ABOVE	Item	AUG 78			135			X147		
					2	3	4	5	6	7	8	9	10
2	Seat Assembly	1	895598										
3	Adjustor, Seat - RH	1	896394										
4	Adjustor, Seat - LH	1	896395										
5	Actuator, Seat Adjustor Latch	1	895599										
6	Bolt, Seat Frame to Adjustor	4	1C-616J										
	Lockwasher	4	23E05										
	Washer	4	874690										
7	Spacer, Adjustor to Seat Support	2	331323										
	Front												
8	Bolt, Adjustor to Seat Support	2	**4										
	Lockwasher	2	23E05										
	Nut	2	8D-05J										
9	Spacer, Adjustor to Seat Support	2	648076										
	Rear												
10	Bolt, Adjustor to Seat Support Rear	2	**4										
	Spacer	2	648076										
	Washer	2	664422										
	Lockwasher	2	23E05										
	Nut	2	8D-05J										

**NOT SOLD - USE ITEM LISTED

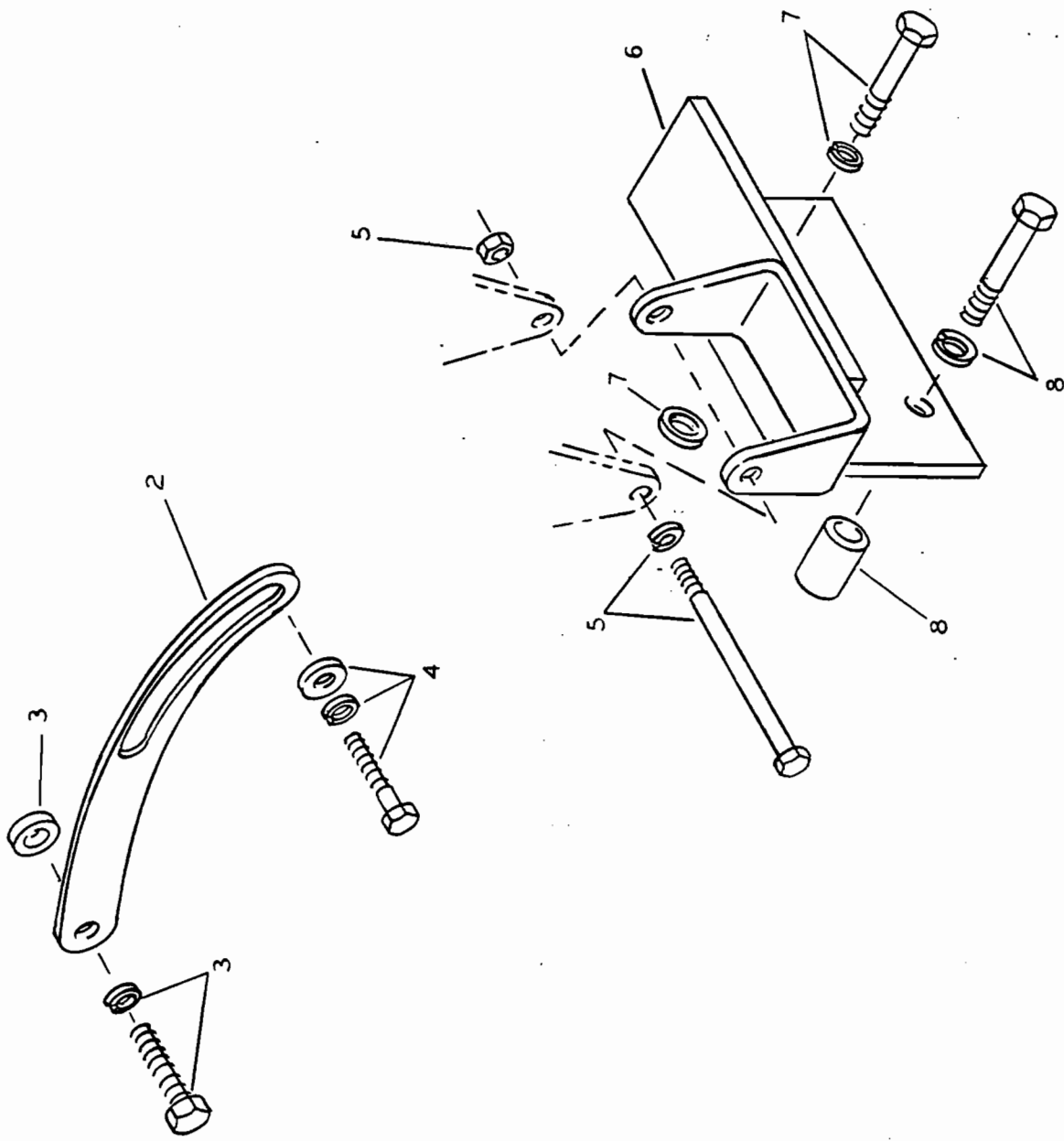


Item	Description	Req'd	CTAE-1-3250 thru Lot 3250	Item
2	Strap, Alternator Adjusting	1	1706904	2
3	Bolt, Adjusting Strap Mounting	1	1C-616J	3
	Lockwasher	1	23E-06	
	Spacer	1	799325	
4	Bolt, Adjusting Strap to Alternator	1	1C-516J	4
	Lockwasher	1	23E05	
	Washer	1	25E15J	
5	Bolt, Alternator to Bracket	1	2C-648J	5
	Lockwasher	1	2E-06	
	Nut	1	62D-06J	
6	Bracket, Alternator Mounting	1	1670110	6
7	Bolt, Alternator Mounting Bracket	2	2C-616J	7
	Lockwasher	2	23E-06	
	Nut	2	62D-06J	
8	Bracket, Alternator Mounting	1	1700406	8
9	Bolt, Alternator Bracket	2	1C728J	9
	Spacer	2	690110	
	Lockwasher	2	23E07	
10	Bolt, Alternator Bracket	1	1C728J	10
	Spacer	1	1311923	
	Lockwasher	1	23E07	

OCT 76

137

x147

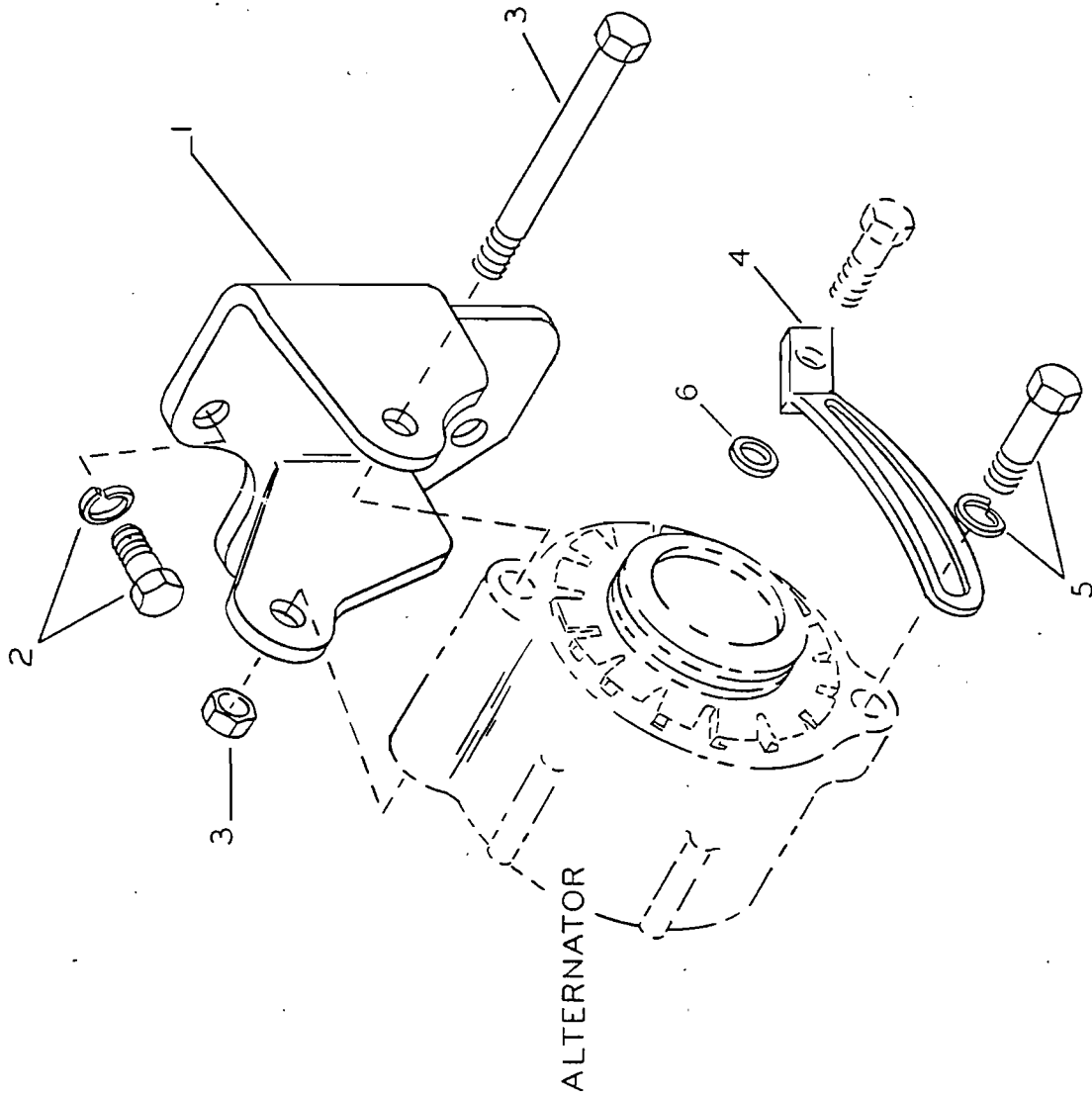


OCT 77

137A

x147

Item	Description	Req'd	CTAE-1-3251 thru Lot 3765	Item
2	Strap, Alternator Adjusting	1	1706904	2
3	Bolt, Adjusting Strap Mounting	1	1C-616J	3
	Lockwasher	1	23E-06	
	Spacer	1	799325	
4	Bolt, Adjusting Strap to Alternator	1	1C-516J	4
	Lockwasher	1	23E05	
	Washer	1	25E15J	
5	Bolt, Alternator to Bracket	1	2C-648J	5
	Lockwasher	1	2E-06	
	Nut	1	62D-06J	
6	Bracket, Alternator Mounting	1	2348917	6
7	Bolt, Alternator Bracket	2	1C728J	7
	Spacer	2	690110	
	Lockwasher	2	23E07	
8	Bolt, Alternator Bracket	1	1C728J	8
	Spacer	1	1311923	
	Lockwasher	1	23E07	

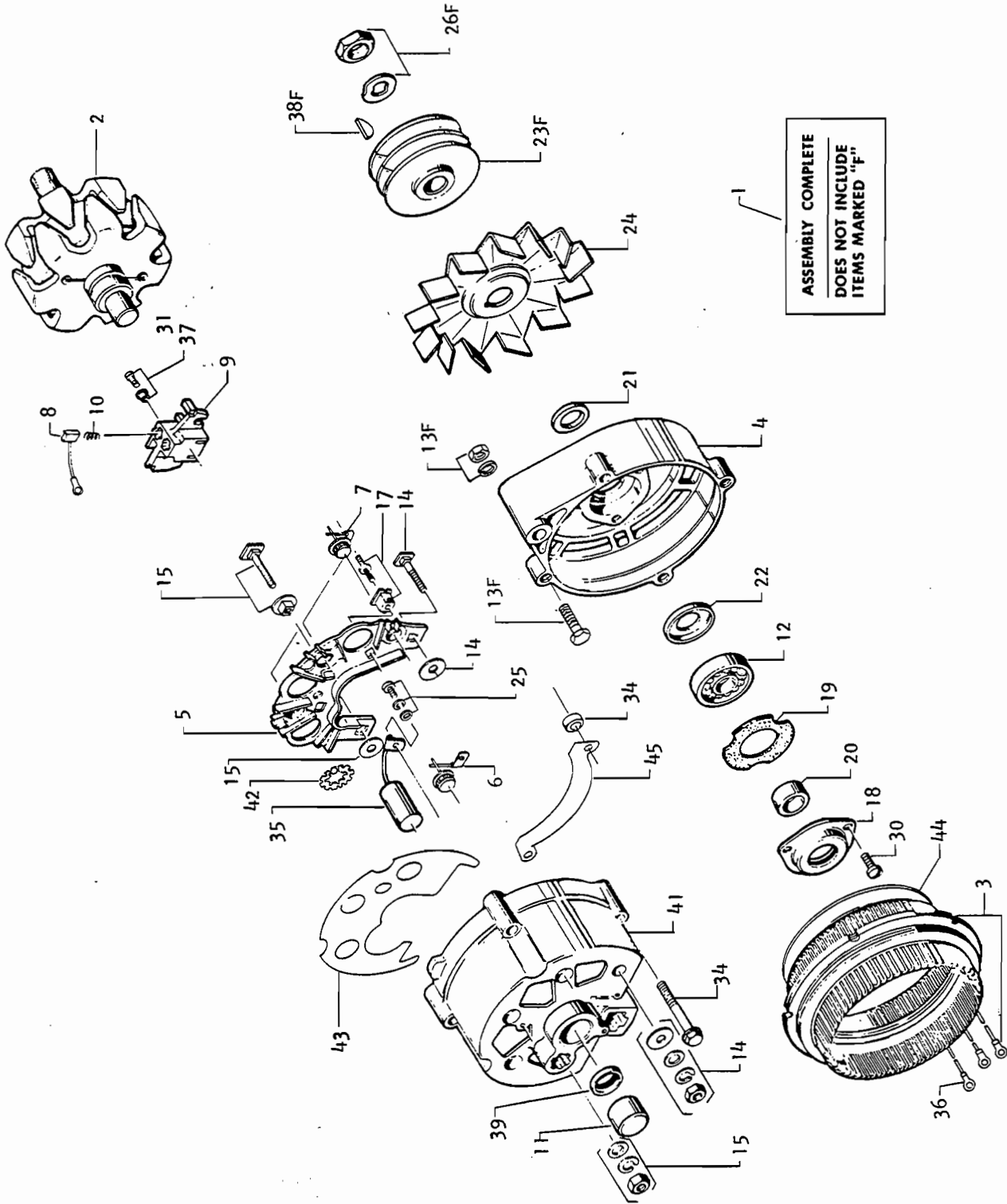


JUL 79

1378

X147

Item	ALTERNATOR MOUNTING PARTS (USE ILLUSTRATION 7103-P)	Req'd	CTAE-1-3815 thru Lot 4440	AND ABOVE CTAE-1-4441	Item
1	Bracket, Alternator Mounting	1	2342347	2365443	1
2	Capscrew, Mounting Bracket Lockwasher	3	1C616 23E6		2
3	Washer Bolt, Alternator Pivot	3	25E18 1C648	1CM1080 Not Used 39DM10	3
4	Washer Nut	1	25E17 85D6		4
5	Strap, Alternator Mounting Bolt, Alternator Adjusting	1	997532 1C516	1CM825	5
6	Washer Lockwasher Spacer, Mounting Strap	1	25E16 23E5 Not Used		6



ASSEMBLY COMPLETE
 DOES NOT INCLUDE
 ITEMS MARKED "F"

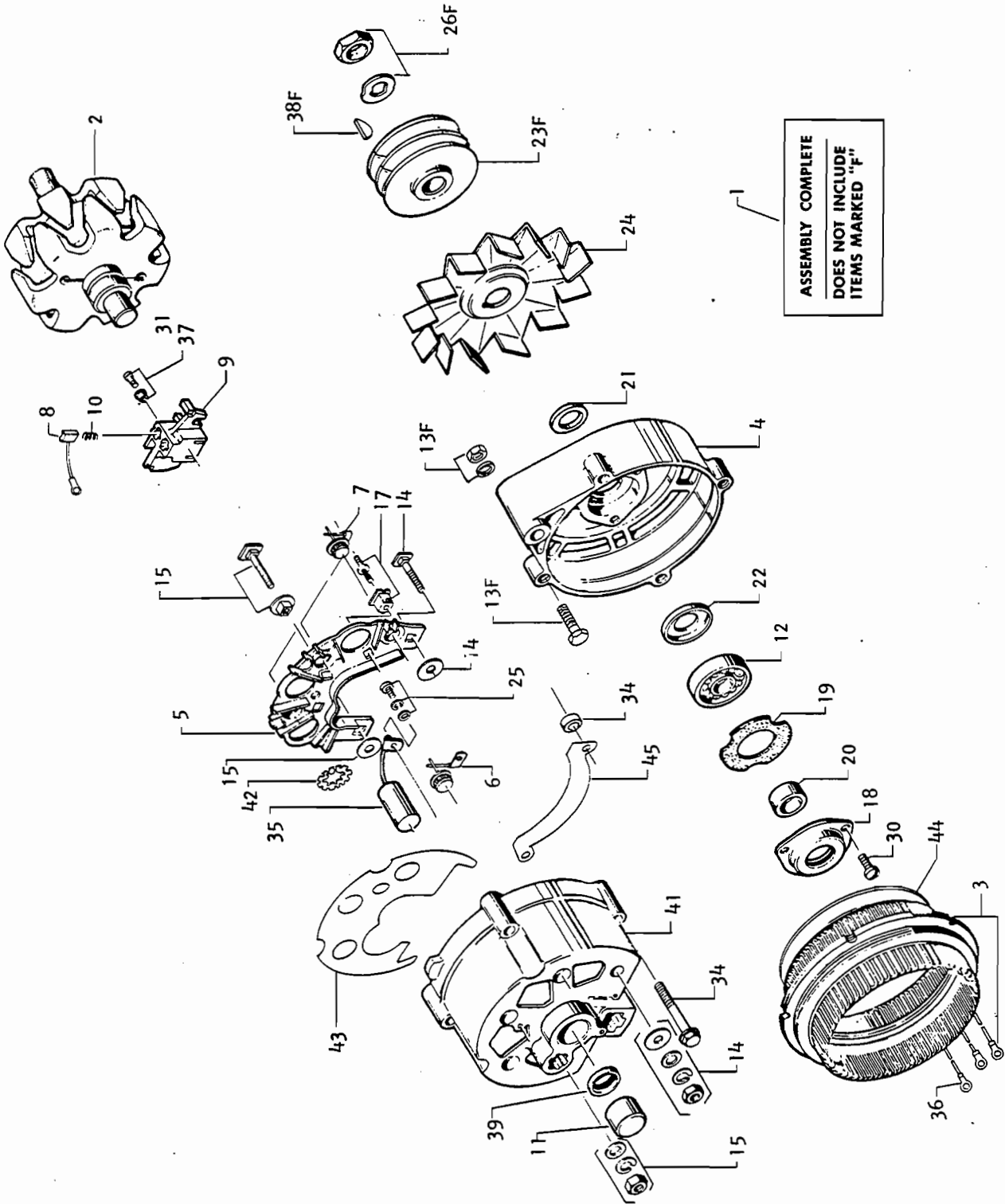
Item		Description		Req'd	CTAE-1-3250 thru Lot 3765		Item	
1	Alternator Assembly	1	567252	1	1		1	
2	Rotor Assembly, Alternator	1	890494	1	2		2	
3	Stator Assembly, Alternator	1	897445	1	3		3	
4	Frame, Alternator Drive End	1	897458	1	4		4	
5	Heat Sink, Alternator	1	897451	1	5		5	
6	Diode, Alternator - Negative	1	897453	1	6		6	
7	Diode, Alternator - Positive	1	990385	1	7		7	
8	Brush Kit, Alternator	1	897463	1	8		8	
9	Holder, Alternator Brush	1	**8	1	9		9	
10	Spring, Alternator Brush	1	899305	1	10		10	
11	Bearing, Alternator Slip Ring End	1	897465	1	11		11	
12	Bearing, Alternator Drive End	1	675410	1	12		12	
13	Bolt, Alternator Mounting	1	2C-648J	1	13		13	
	Lockwasher	1	23E-06J	1				
	Nut	1	2D-06J	1				
14	Terminal Package, Battery	1	897454	1	14		14	
15	Terminal Package, Ground	1	897455	1	15		15	
17	Terminal Package, Diode Junction	1	897457	1	17		17	
18	Plate, Alternator Drive End Bearing Retainer	1	897456	1	18		18	
19	Gasket, Alternator Drive End Bearing Retainer	1	855622	1	19		19	
20	Collar, Alternator Drive End - Inside	1	897462	1	20		20	
21	Collar, Alternator Drive End - Outside	1	897459	1	21		21	
22	Slinger, Alternator Drive End Oil	1	897466	1	22		22	
23	Pulley, Alternator	1	1700433	1	23		23	
24	Fan, Alternator	1	329884	1	24		24	
25	Screw, Alternator Capacitor Lead Attaching	1	85G-812	1	25		25	
26	Washer	1	898414	1	26		26	
	Nut, Alternator Pulley to Shaft	1	859369	1				
	Lockwasher	1	794584	1				
30	Screw, Alternator Drive End Bearing Retainer Plate	3	897460	3	30		30	
31	Screw, Brush Holder Housing	1	897444	1	31		31	
34	Bolt, Alternator thru	1	897467	1	34		34	
35	Capacitor, Alternator	1	897447	1	35		35	
36	Terminal, Alternator Stator Lead	3	897448	3	36		36	
37	Insulator, Heat Sink Attaching	1	897446	1	37		37	

OCT 77

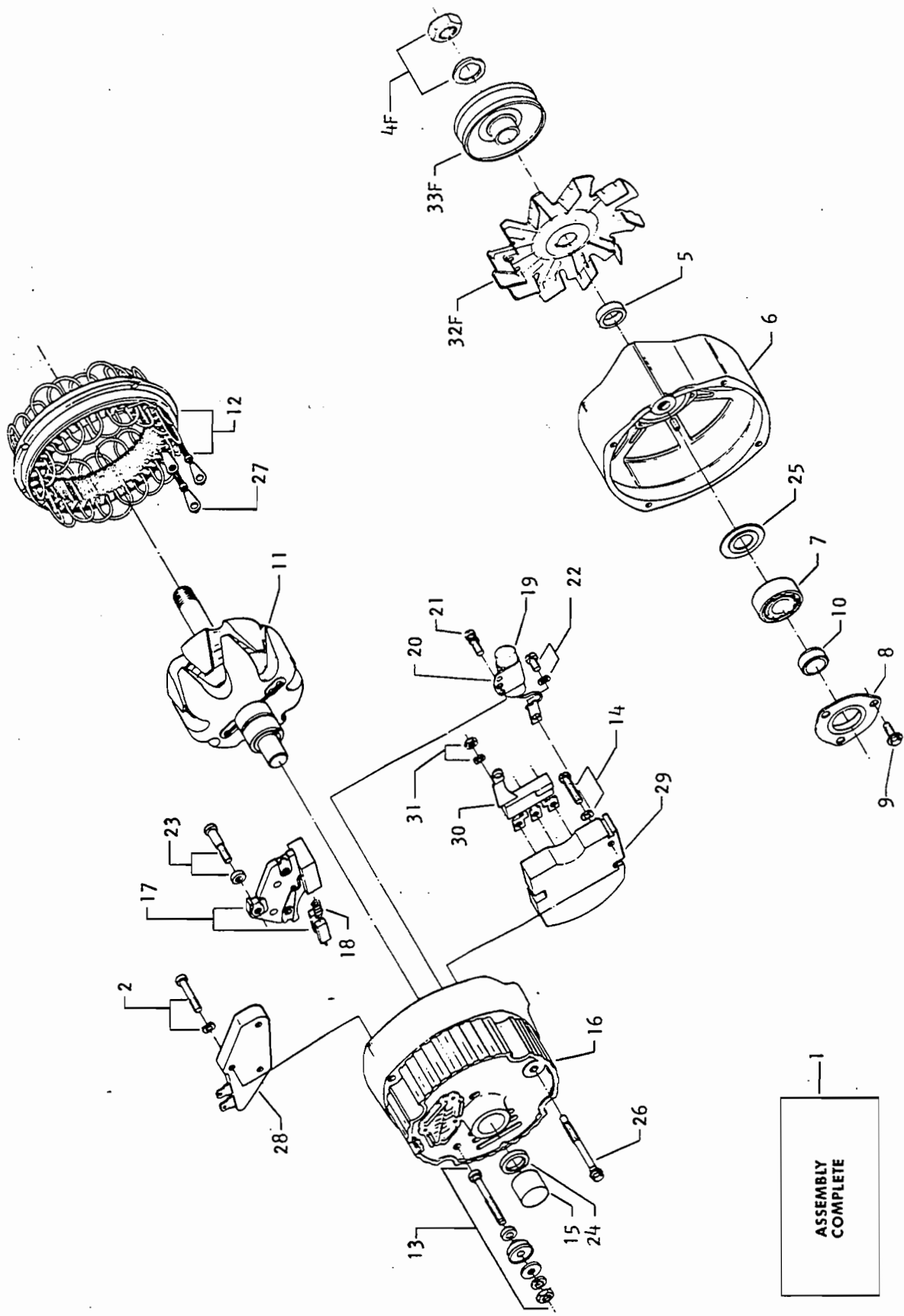
139

X147

**NOT SOLD - USE ITEM LISTED



ASSEMBLY COMPLETE
 DOES NOT INCLUDE
 ITEMS MARKED "F"



6983-P

ALTERNATOR

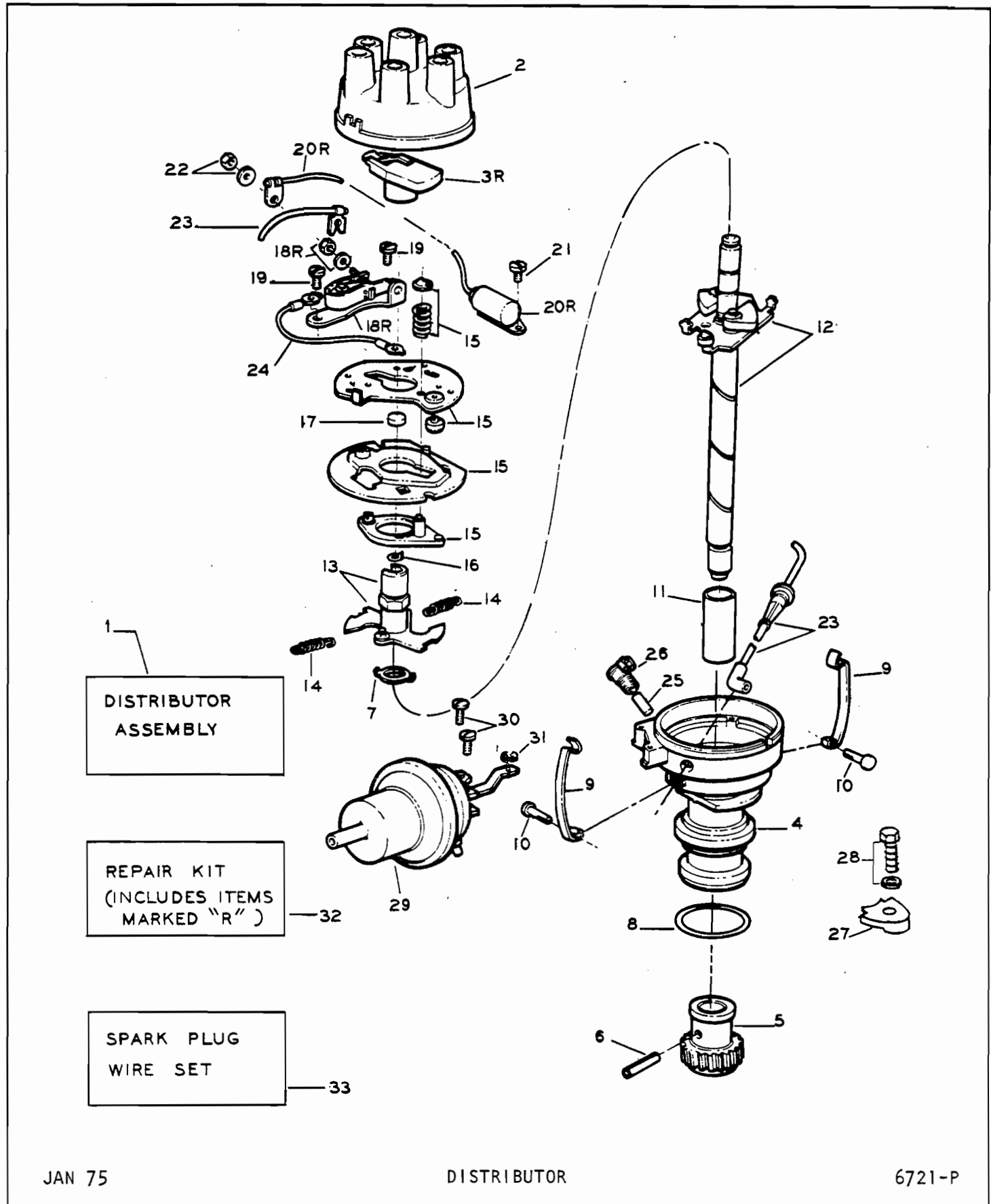
OCT 76

Item	Description	Req'd	CTAE-1-3815 thru Lot 4440		CTAE-1-4441 AND ABOVE		Item
1	Alternator Assembly	1	2354002	6513962			1
2	Screw, Voltage Regulator	1	6511956	999396			2
	Lockwasher	1	888505				
4	Nut, Pulley	1	1754027	859369			4
	Lockwasher	1	1754028	794584			
5	Collar, Drive End	1	897459	905958			5
6	Frame, Drive End	1	897458	905957			6
7	Bearing, Drive End	1	999304	905350			7
8	Plate, Drive End Bearing Retainer	1	897456				8
9	Screw, Bearing Retainer Plate	3	45G1008				9
10	Collar Drive End	1	897462	Not Used			10
11	Rotor Assembly, Alternator	1	999305				11
12	Stator Assembly, Alternator	1	994371	999392			12
13	Terminal Package, Battery	1	994372	905952			13
14	Screw, Rectifier	1	994373				14
	Lockwasher	1	888505				
15	Bearing, Slip Ring Frame End	1	999306	905351			15
16	Frame, Slip Ring End	1	994375	905956			16
17	Brush Holder & Brush Assembly	1	999307	Not Used			17
18	Brush Spring, Alternator	1		999394			18
19	Capacitor, Alternator	2	899305	Use Item#17			19
20	Bracket, Capacitor	1	999308				20
21	Screw, Capacitor Bracket	1	886265				21
22	Screw, Capacitor Terminal	1	994378				22
23	Screw, Capacitor Lead	1	994378				23
24	Not Used	2	6511957				24
25	Oil Slinger, Drive End	1	993458	Not Used			25
26	Through Bolt, Alternator	4	897467				26
27	Terminal, Stator Lead	3	897448	Use Item#12			27
28	Voltage Regulator, Alternator	1	994381				28
29	Rectifier Assembly, Alternator	1	995185	996850			29
30	Diode, Alternator	1	994383				30
31	Nut, Rectifier Terminal	3	12D8				31
	Lockwasher	3	888505				
32	Fan Alternator	1	329884				32
33	Pulley Alternator	1	1754026				33

JUL 79

141A

x147



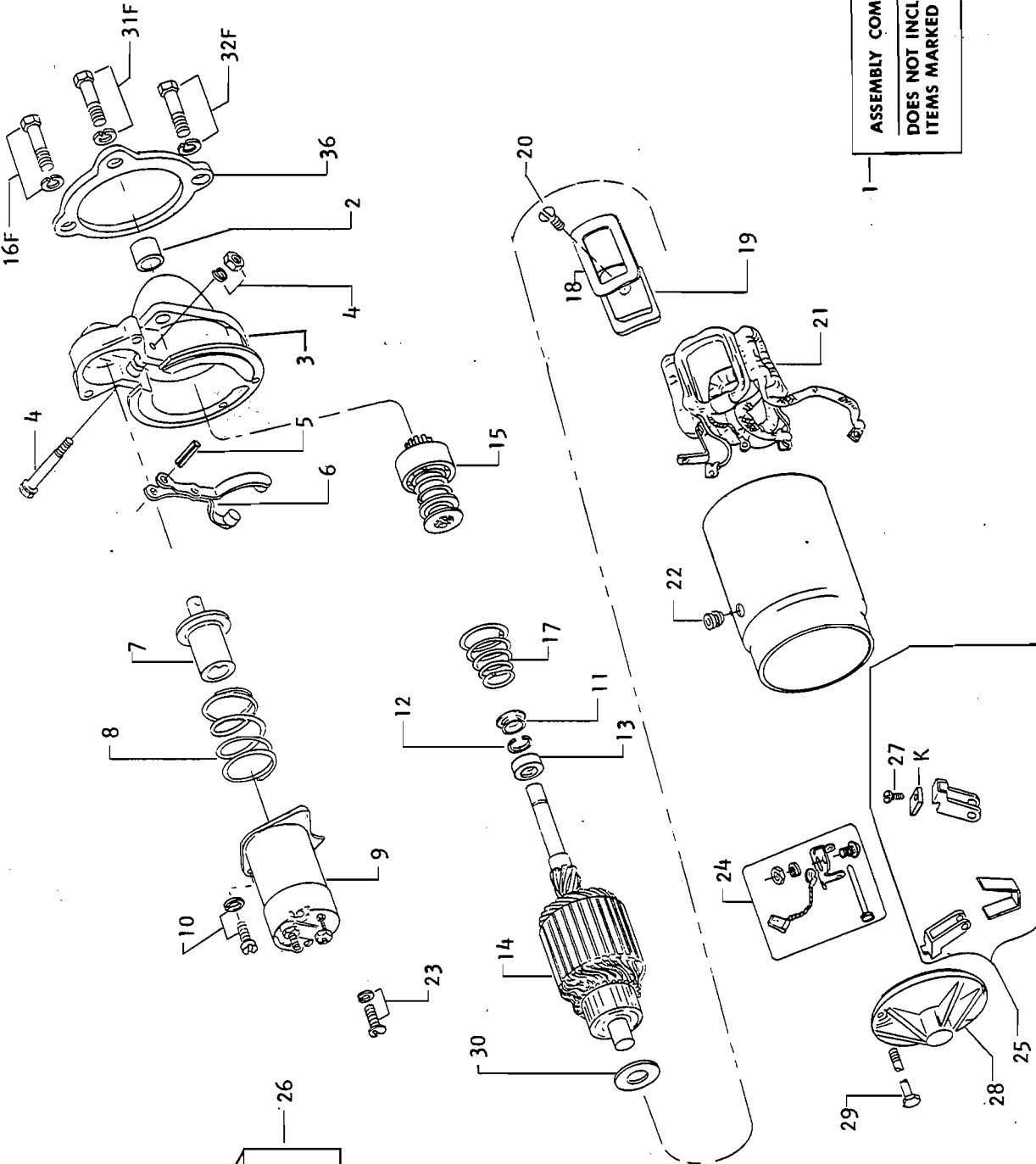
JUL 79

143

X147

Item	DISTRIBUTOR (USE ILLUSTRATION 6721-P)		Req'd	CTAE-1-3250 AND ABOVE	Item
	Description				
1	Distributor Assembly, Complete	1810871	1		1
2	Cap, Distributor	899850	1		2
3	Rotor, Distributor	890836	1		3
4	Housing, Distributor	**1	1		4
5	Gear, Distributor	890847	1		5
6	Pin, Distributor Gear	1306397	1		6
7	Washer, Distributor Gear Thrust - Upper	996250	1		7
8	Seal, Distributor Housing	890848	1		8
9	Retainer, Distributor Cap	890849	2		9
10	Rivet, Distributor Cap Retainer	**1	2		10
11	Bushing, Distributor Housing	**1	1		11
12	Shaft & Cam Assembly, Distributor	**1	1		12
13	Cam, Distributor	**1	1		13
14	Spring, Distributor Weight	**1	2		14
15	Plate Assembly, Breaker	**1	1		15
16	Retainer, Cam	880869	1		16
17	Wick, Distributor Cam	**1	1		17
18	Point Set, Distributor	890853	1		18
19	Screw, Point Set	416805	2		19
20	Lockwasher	17E08	2		20
21	Condenser, Distributor	890855	1		21
22	Lockwasher	17E08	1		22
23	Screw, Condenser	416805	1		23
24	Lockwasher, Primary Lead	17E6	1		24
25	Nut	1206J	1		25
26	Wire Assembly, Primary Lead	996234	1		26
27	Wire Assembly, Ground Lead	895665	1		27
28	Wick, Distributor Housing	**1	1		28
29	Cup, Oil	**1	1		29
30	Clamp, Distributor Hold Down	996460	1		30
31	Cap screw, Hold Down Clamp	1C-516	1		31
32	Lockwasher	23E-05	1		32
33	Diaphragm, Distributor	996395	1		33
	Screw, Diaphragm Mounting	856816	2		
	"C" Washer, Diaphragm Rod	774338	1		
	Repair Kit, Distributor	996396	1		
	Spark Plug Wire Set	996397	1		

***Not Sold - Use Item Listed



7083-P

STARTER

NOV 76

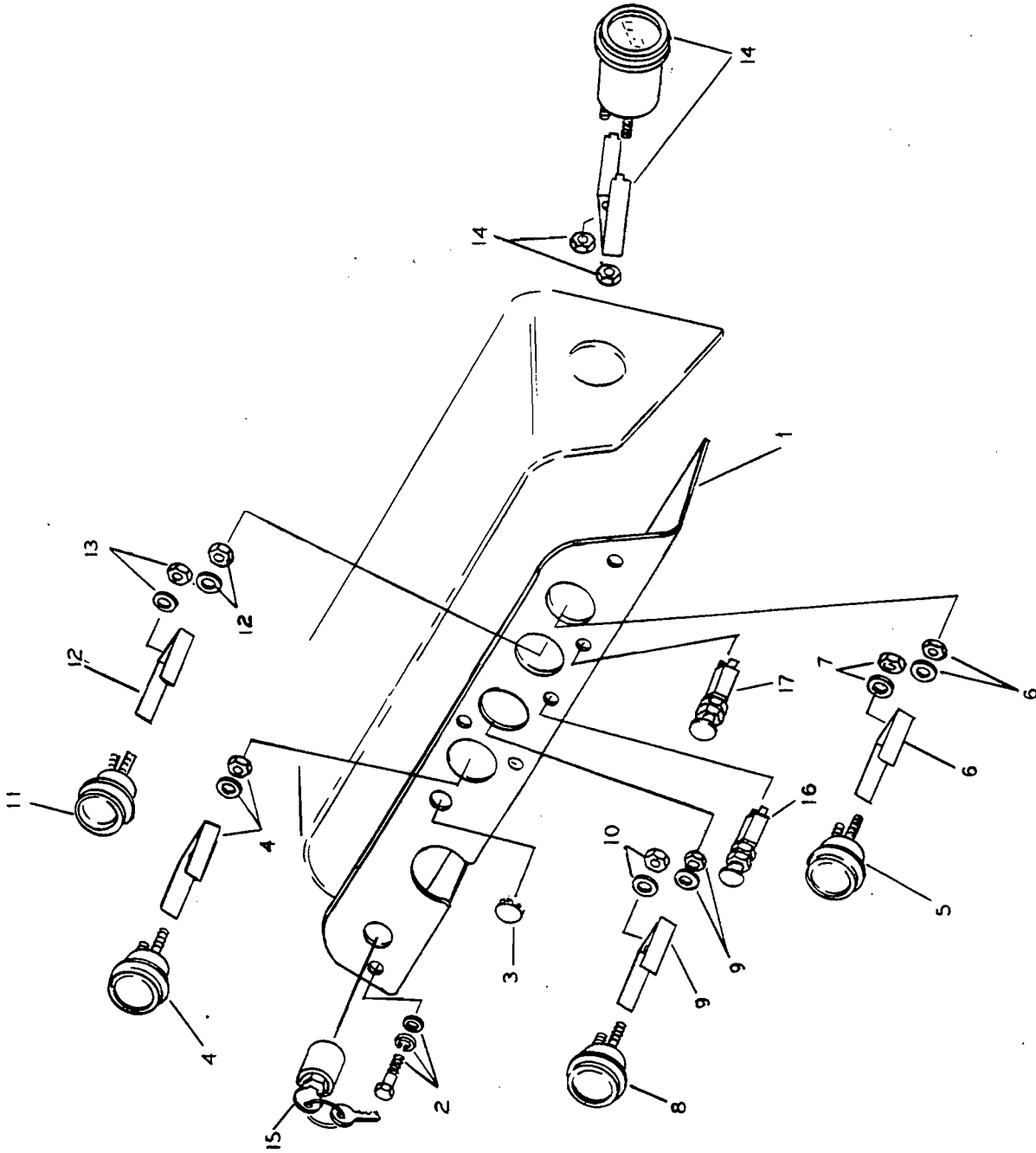
OCT 76

145

X147

Item	Description	Req'd	CTAE-1-3250 AND ABOVE	Item
1	Motor Assembly, Starter	1	992710	1
2	Bushing, Drive End Housing	1	990323	2
3	Housing & Bushing, Drive End	1	995676	3
4	Bolt, Fork Lever to Housing	1	884576	4
	Lockwasher	1	23E05	
	Nut	1	856357	
5	Pin, Drive Shift Lever to Plunger	1	667533	5
6	Lever, Drive Shift Fork	1	896126	6
7	Plunger, Solenoid	1	**9	7
8	Spring, Solenoid Plunger	1	888968	8
9	Switch, Solenoid	1	884581	9
10	Screw, Solenoid Switch	4	993412	10
	Lockwasher	4	23E-04	
11	Collar, Drive End Thrust	1	897182	11
12	Ring, Pinion Collar Retainer	1	897183	12
13	Collar, Pinion Stop	1	897184	13
14	Armature, Starter Motor	1	3802334	14
15	Drive Assembly, Starter Motor	1	991161	15
17	Not Used			17
18	Insulator, Field Coil	4	871511	18
19	Shoe, Pole	4	**1	19
20	Screw, Pole Shoe	4	859377	20
21	Coil Set, Field	1	884570	21
22	Grommet, Field Coil Lead	1	884571	22
23	Screw, Field Coil Lead to Switch	1	884572	23
24	Support Kit	2	877650	24
25	Brush & Holder Set, Starter	1	1810865	25
26	Brush Set, Starter	1	1810864	26
27	Screw, Brush (Insulated)	2	65G-810	27
	Screw, Brush (Ground)	2	85G808H	
28	Frame, Commutator End	1	884573	28
29	Bolt, Thru	2	880609	29
30	Washer, Commutator End Thrust	1	860673	30
31	Bolt, Starter Mounting	2	895523	31
32	Lockwasher, Starter Mounting Bolt	2	23E-06	32

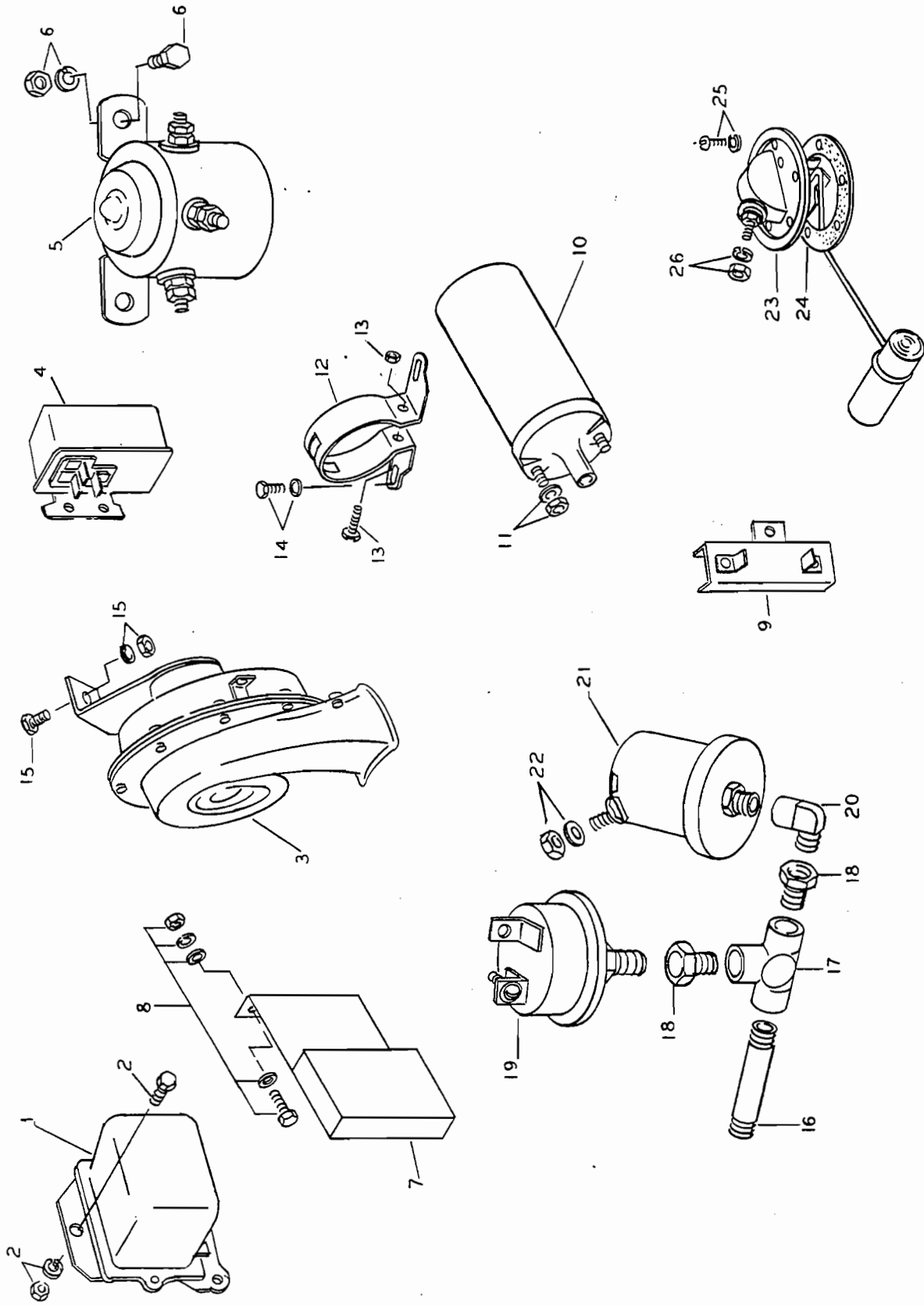
**Not Sold - Use Item Listed



JAN 75

INSTRUMENT PANEL

6652-P



6703-P

ELECTRICAL COMPONENTS

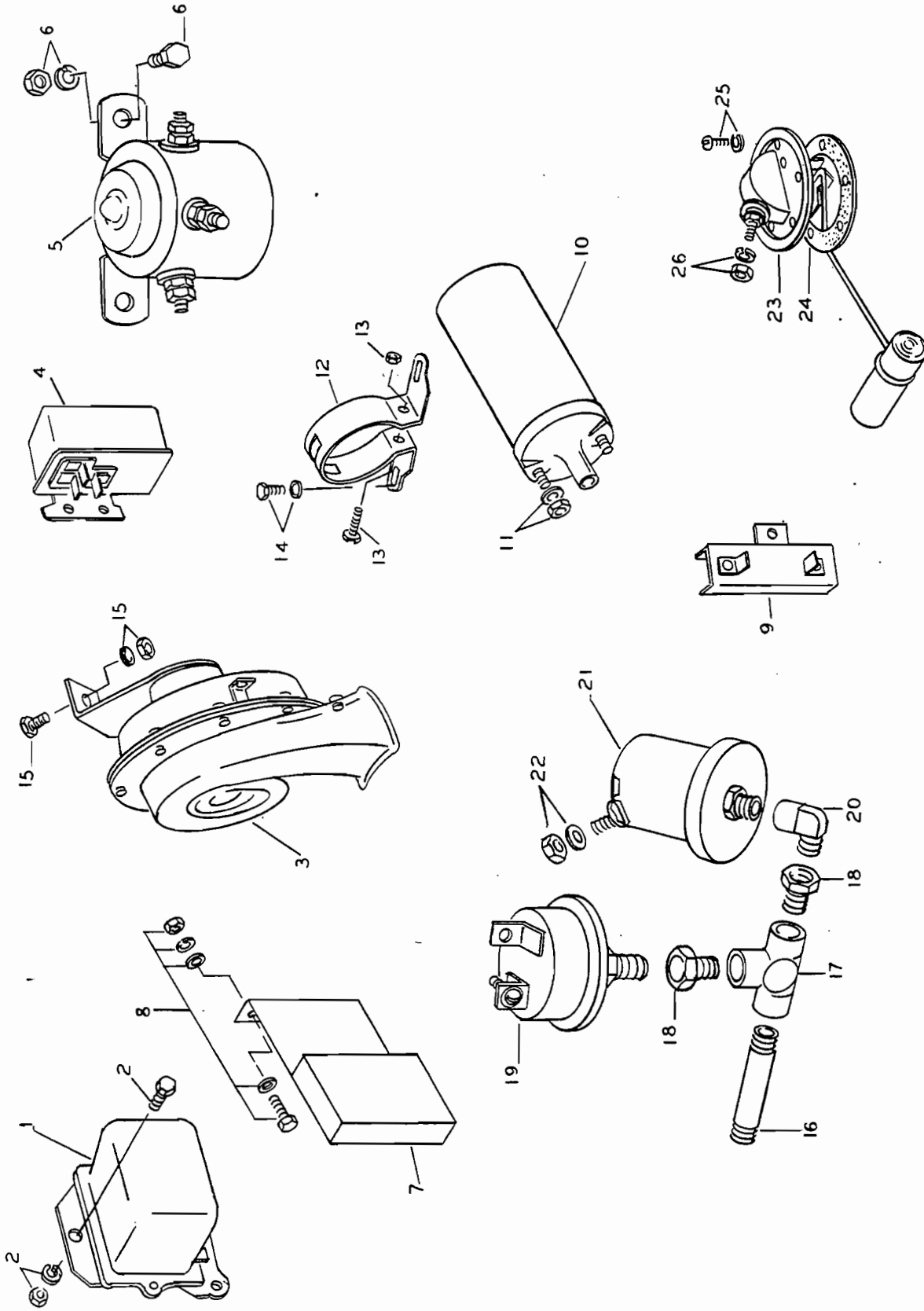
JAN 75

Item	Description (USE ILLUSTRATION 6703-P)	Req'd	CTAE-1-3250 thru Lot 3251		CTAE-1-3391 AND ABOVE		Item
1	Regulator, Voltage	1	336290				1
2	Bolt, Voltage Regulator Mounting	3	1C414				2
	Lockwasher	3	10E4				
	Nut	3	61D4				
3	Horn	1	733624				3
4	Relay, Horn	1	733623				4
5	Relay, Starter	1	551530				5
6	Bolt, Starter Relay Mounting	2	1C416				6
	Lockwasher	2	23E4				
	Nut	2	61D4				
7	Time Delay, Starter	1	1737502				7
8	Bolt, Starter Time Delay Mounting	1	1C416J				8
	Washer	2	664402				
	Lockwasher	1	23E4				
	Nut	1	61D4				
9	Resistor, Ballast	1	890394				9
10	Coil, Ignition	1	881097				10
11	Lockwasher, Coil	2	17E10				11
	Nut	2	14D10				
12	Clamp, Coil Mounting	1	890834				12
13	Bolt, Coil Clamp	1	2G1024				13
	Lockwasher	1	17E10				
	Nut	1	14D10				
14	Capscrew, Coil Clamp Mounting	2	1C510				14
	Lockwasher	2	23E5				
15	Bolt, Horn Mounting	1	1C416				15
	Lockwasher	1	23E4				
	Nut	1	61D4				
16	Nipple, Pipe	1	5K210				16
17	Tee	1	28F1				17
18	Bushing, Tee	2	19F1				18
19	Switch, Hour Meter	1	740342				19
20	Elbow	1	1309105				20
21	Sending Unit, Engine Oil Pressure	1	1618574		6000171		21
22	Lockwasher, Engine Oil Pressure Sending Unit	1	15E10				22
	Nut	1	14D10				
23	Sending Unit, Fuel Gauge	1	1723621				23
24	Gasket, Fuel Gauge Sending Unit	1	620977				24
25	Capscrew, Fuel Gauge Sending Unit	5	261008				25

OCT 77

149

X147



6703-P

ELECTRICAL COMPONENTS

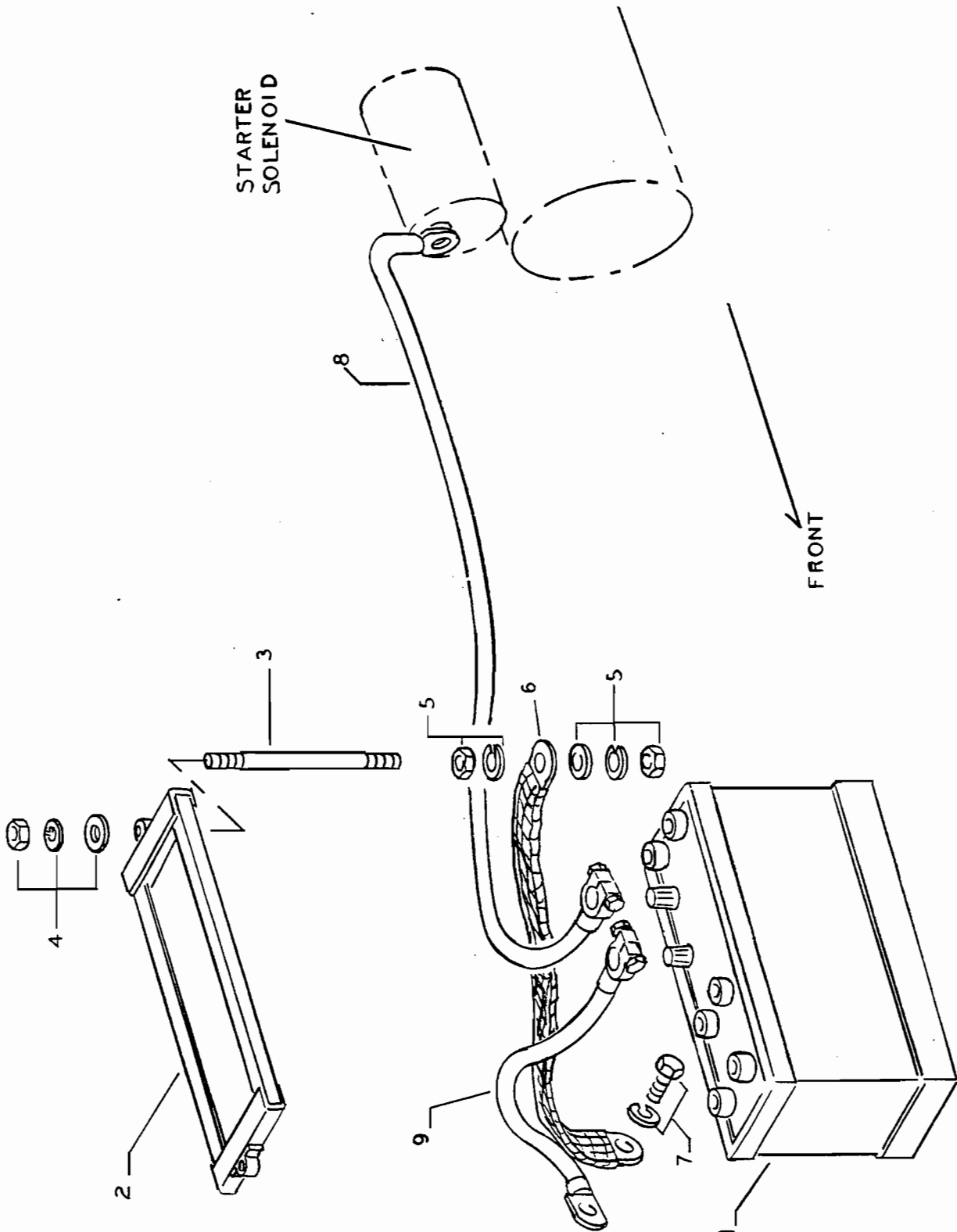
JAN 75

OCT 76

151

X147

Item	
CONT. ELECTRICAL COMPONENTS (USE ILLUSTRATION 6703-P) Description	25 Lockwasher 26 Lockwasher, Fuel Gauge Sending Unit Nut
Req'd	5 1 1
CTAE-1-3250 thru Lot 3251	17E10 15E10 14D10
CTAE-1-3391 AND ABOVE	
Item	25 26

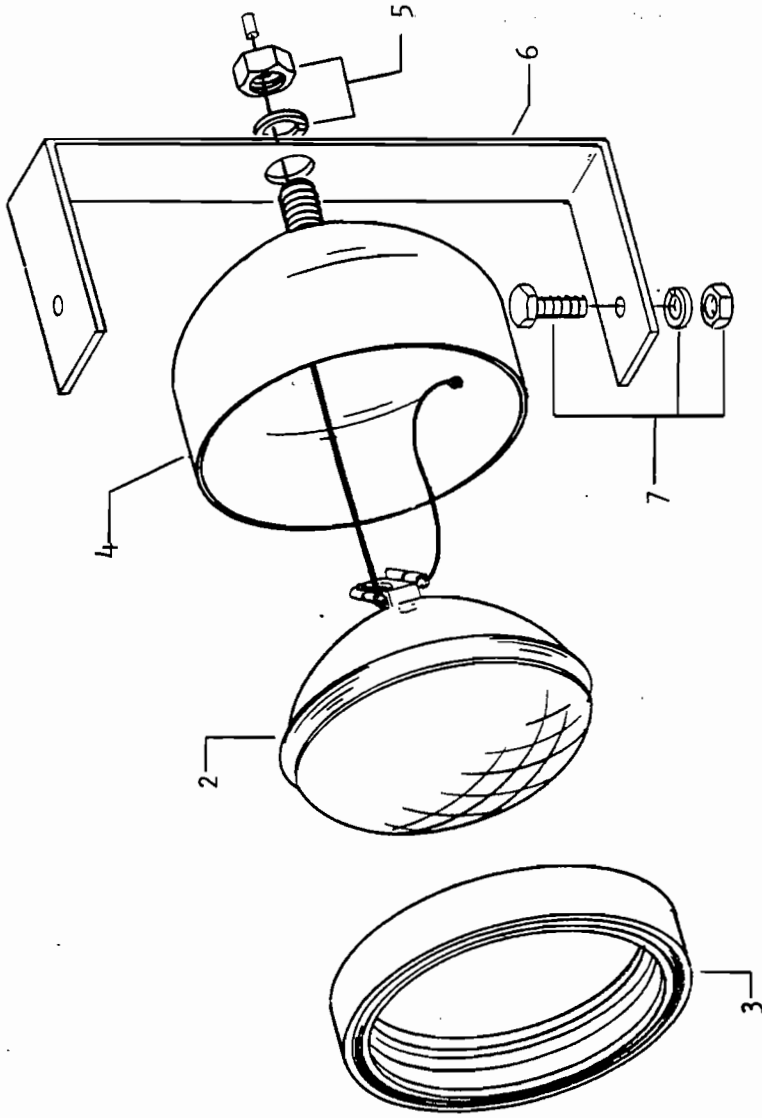


6704-P

BATTERY

JAN 75

1
ASSEMBLY
COMPLETE



OCT 76

HEAD LAMP

6976-P

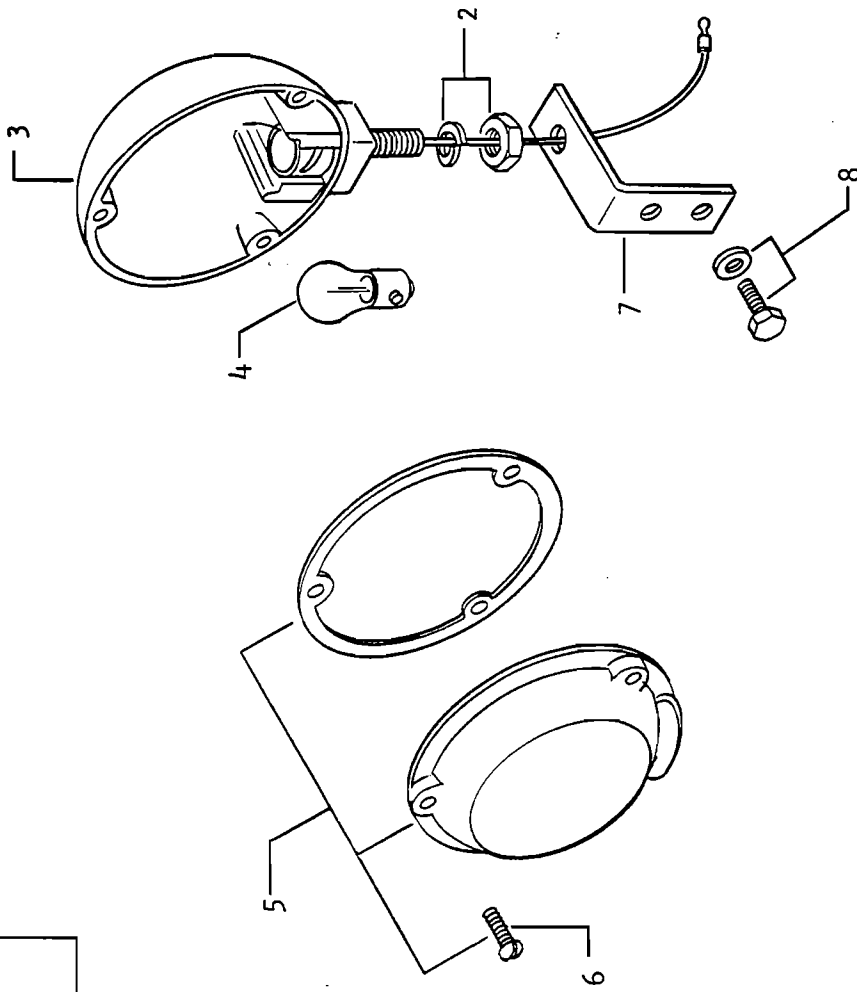
OCT 76

155

X147

Item	Description	Req'd	CTAE-1-3250 AND ABOVE	Item
1	Lamp Assembly, Head	2	1625100	1
2	Bulb, Head Lamp	2	877752	2
3	Retainer, Lamp	2	**1	3
4	Case Assembly, Lamp	2	**1	4
5	Lockwasher, Head Lamp	1	23E07	5
	Nut	1	61D-07J	6
6	Bracket, Head Lamp Mounting	2	1697429	7
7	Bolt, Head Lamp Mounting Bracket	4	1C-414J	
	Lockwasher	4	23E04	
	Nut	4	61D-04J	

1
ASSEMBLY COMPLETE



OCT 76

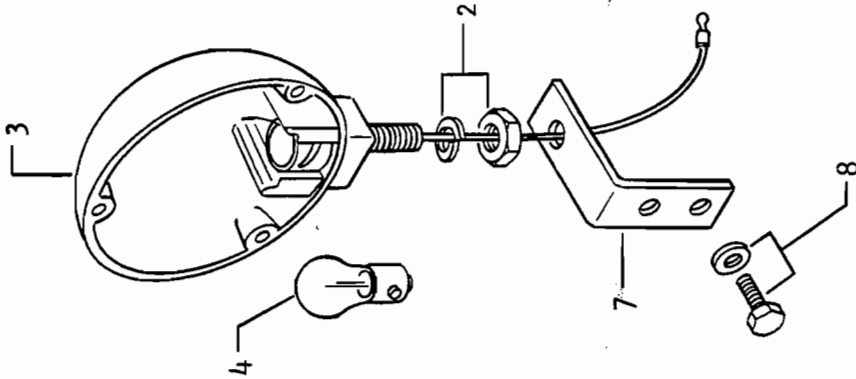
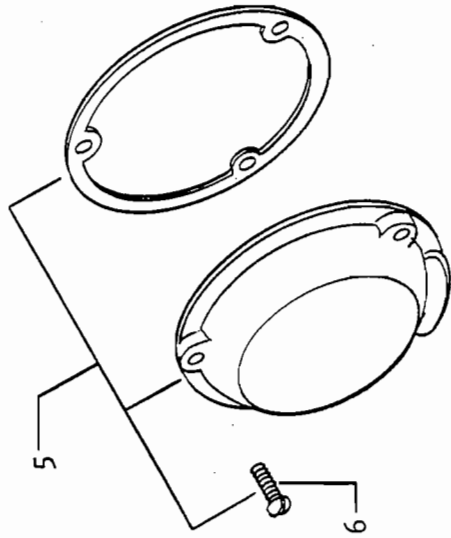
157

X147

Item	STOP AND TAIL LAMP (USE ILLUSTRATION 6977-P)	Req'd	CTAE-1-3250 AND ABOVE				Item
Description							
1	Lamp Assembly, Stop & Tail	1	325433				1
2	Lockwasher, Stop & Tail Lamp	1	23E08				2
3	Nut	1	62D-08J				3
4	Case Assembly, Stop & Tail Lamp	1	**1				4
5	Bulb, Stop & Tail Lamp	1	874701				5
6	Lens, Stop & Tail Lamp (Includes Item 6)	1	887502				6
7	Screw, Stop & Tail Lamp Lens	3	3G-610J				7
8	Bracket, Stop & Tail Lamp	1	320191				8
	Bolt, Stop & Tail Lamp Bracket	2	1C-408J				
	Lockwasher	2	23E08				
				**Not Sold - Use Item Listed			

1

ASSEMBLY
COMPLETE



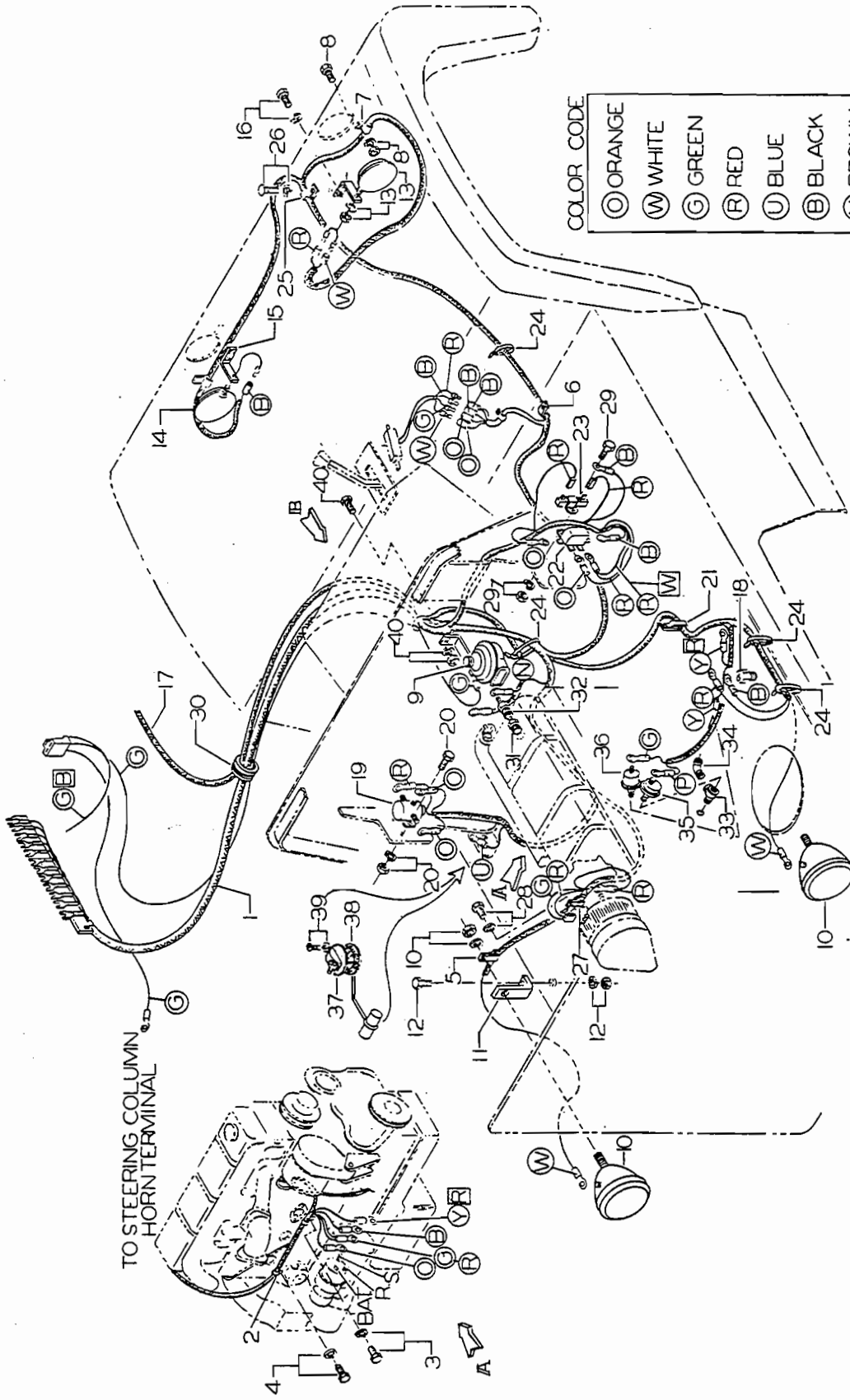
OCT 76

159

X147

Item	Description (USE ILLUSTRATION 6978-P)	Req'd	CTAE-1-3250 AND ABOVE					Item
1	Lamp Assembly, Back-Up	1	325434					1
2	Lockwasher, Back-Up Lamp	1	23E08					2
3	Nut	1	62D-08J					3
4	Case Assembly, Back-Up Lamp	1	**1					4
5	Bulb, Back-Up Lamp	1	943224					5
6	Lens, Back-Up Lamp	1	887501					6
7	Screw, Back-Up Lamp Lens	3	36-610J					7
8	Bracket, Back-Up Lamp	1	320191					8
	Bolt, Back-Up Lamp Bracket	2	1C-408J					
	Lockwasher	2	23E04					
						**Not Sold - Use Item Listed		

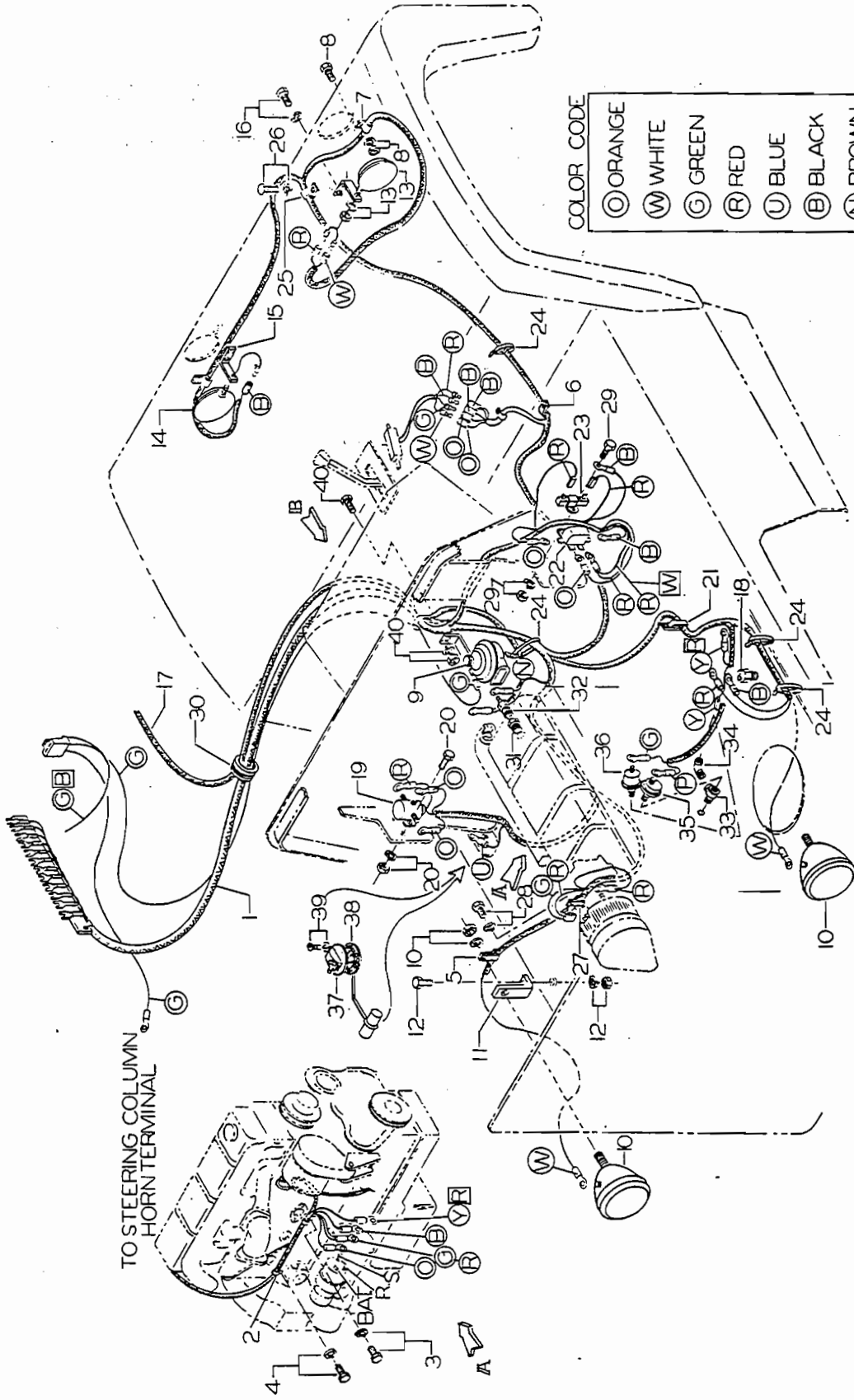
**DID YOU CHANGE THE
OIL FILTER CARTRIDGE
WHEN YOU CHANGED
THE CRANKCASE OIL?**



COLOR CODE

- ORANGE
- WHITE
- GREEN
- RED
- BLUE
- BLACK
- BROWN
- YELLOW
- PINK

CODE IN □
INDICATES STRIPE



COLOR CODE

○	ORANGE
○	WHITE
○	GREEN
○	RED
○	BLUE
○	BLACK
○	BROWN
○	YELLOW
○	PINK

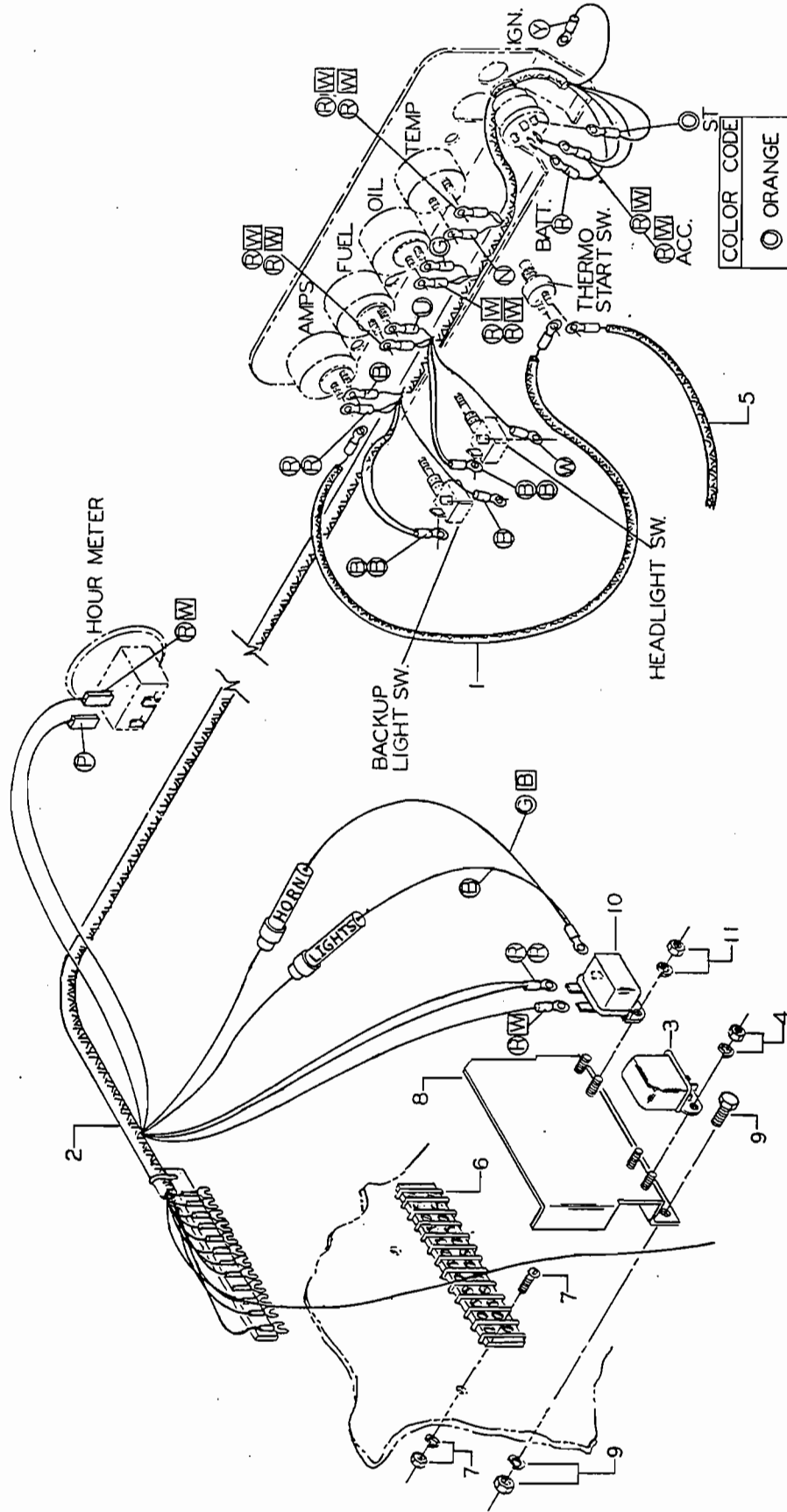
CODE IN □
INDICATES STRIPE

OCT 77 ..

161B

X147 3

Item	Description	Req'd	CTAE-1-3815 AND ABOVE	Item
28	Lockwasher	1	23E5	29
29	Bolt, Resister	2	1C410	
	Lockwasher	2	23E4	
	Nut	2	61D4	
30	Grommet, Harness	1	652402	30
31	Bushing, Engine Water Temperature Sending Unit	1	Not Used	31
32	Sending Unit, Engine Water Temperature	1	2338565	32
33	Tee	1	Not Used	33
34	Connector	1	19F1G	34
35	Sending Unit, Engine Oil Pressure	1	6000171	35
36	Switch, Hour Meter	1	1767978	36
37	Sending Unit, Fuel Gauge	1	1723621	37
38	Gasket, Fuel Gauge Sending Unit	1	620977	38
39	Screw, Fuel Gauge Sending Unit	5	8661008	39
	Lockwasher	5	17E10	
40	Bolt, Horn Mounting	1	1C416	40
	Lockwasher	1	23E4	
	Nut	1	61D4	



COLOR CODE	
⊙	ORANGE
⊖	WHITE
⊕	GREEN
⊗	RED
⊘	BLUE
⊙	BLACK
⊖	BROWN
⊕	YELLOW
⊗	PINK

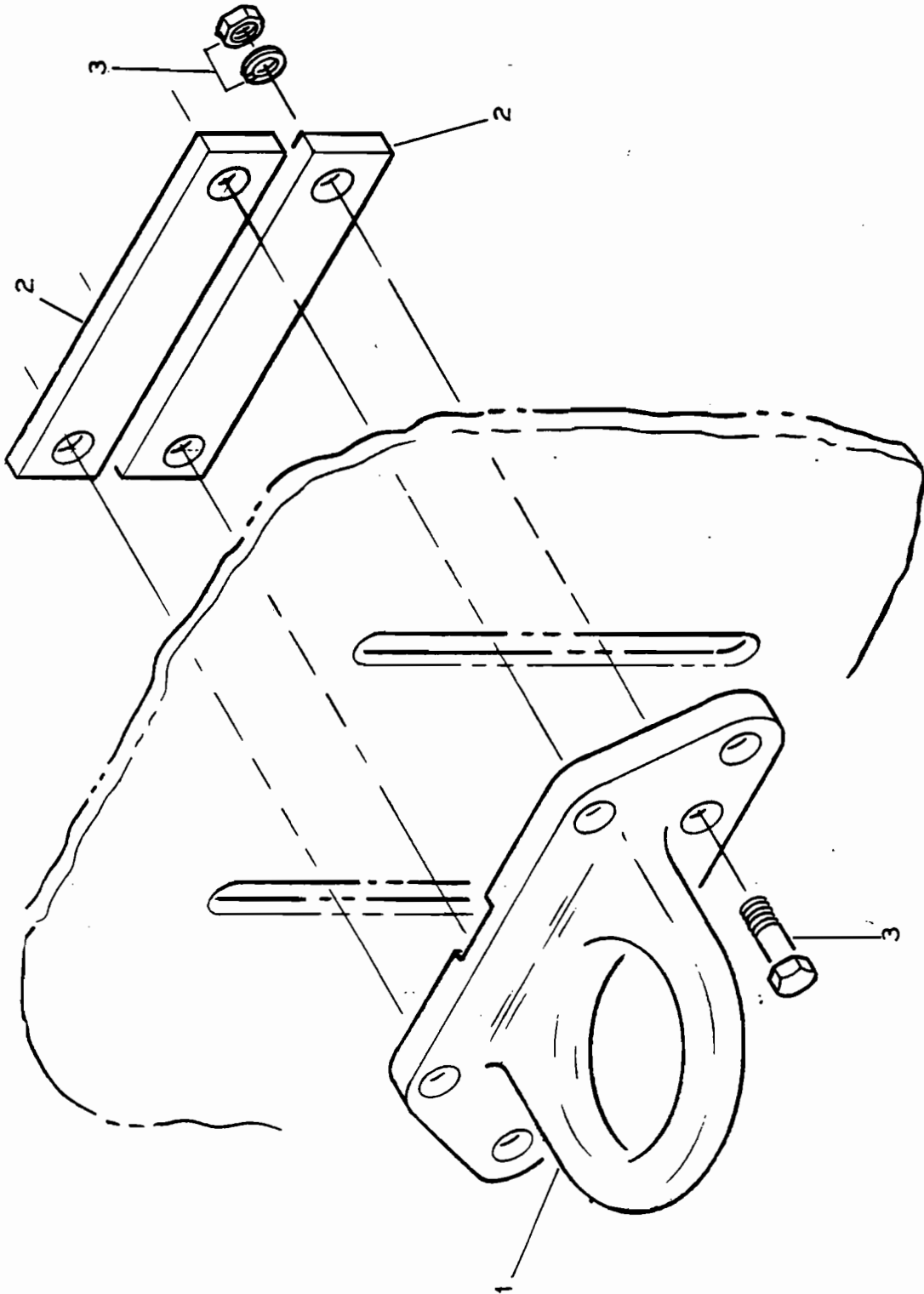
CODE IN □
INDICATES STRIPE

OCT 77

161C

X147

Item	Description	Req'd	CTAE-1-3815 AND ABOVE
1	Wire Assembly	1	Not Used
2	Wiring Harness, Instrument Panel (Fused)	1	2350119
3	Fuse (14A)	3	661556
4	Relay, Horn	1	733623
5	Nut, Horn Relay Mounting	2	61D04H
6	Lockwasher	2	23E04H
7	Wire Assembly	1	Not Used
8	Terminal Strip	2	773301
9	Screw, Terminal Strip Mounting	2	87G814H
10	Lockwasher	2	17E08H
11	Nut	2	12D08H
12	Cover, Terminal Block	1	2350304
13	Bolt, Terminal Block Cover	2	1C420
14	Lockwasher	2	23E04H
15	Washer	2	25E13
16	Nut	2	61D04H
17	Relay, Accessory	1	1621889
18	Nut, Accessory Relay Mounting	2	61D04H
19	Lockwasher	2	23E04H



6706-P

COUPLER

JAN 75

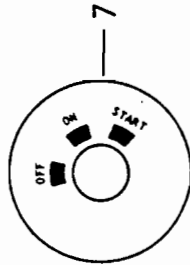
OCT 76

163

X147

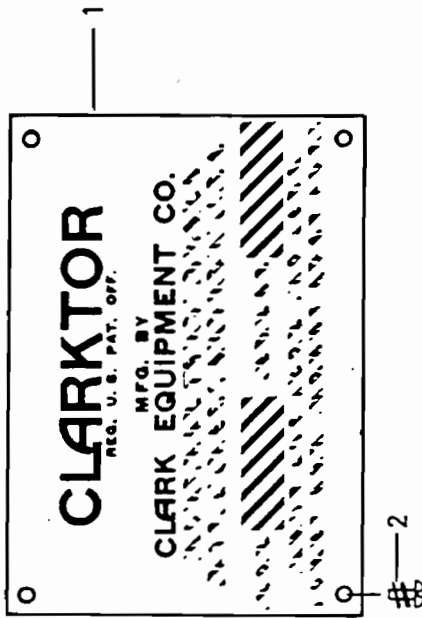
Item	Description (USE ILLUSTRATION 6706-P)	Req'd	CTAE-1-3250 AND ABOVE	Item
1	Coupler	1	633923	1
2	Bar, Coupler Mounting	1	1313006	2
3	Bolt, Coupler Mounting	4	1C832J	3
	Lockwasher	4	23E08	
	Nut	4	61D08J	

6
CAUTION
STARTING CIRCUIT EQUIPPED WITH
4 SECOND TIME DELAY FOR RESTART



5
CLARKTOR[®]
EQUIPMENT

3
WARNING
USE TYPE 1411 AUTOMATIC
TRANSMISSION FLUID ONLY



4
CAUTION
[Small, illegible text block]

OCT 77

165

X147

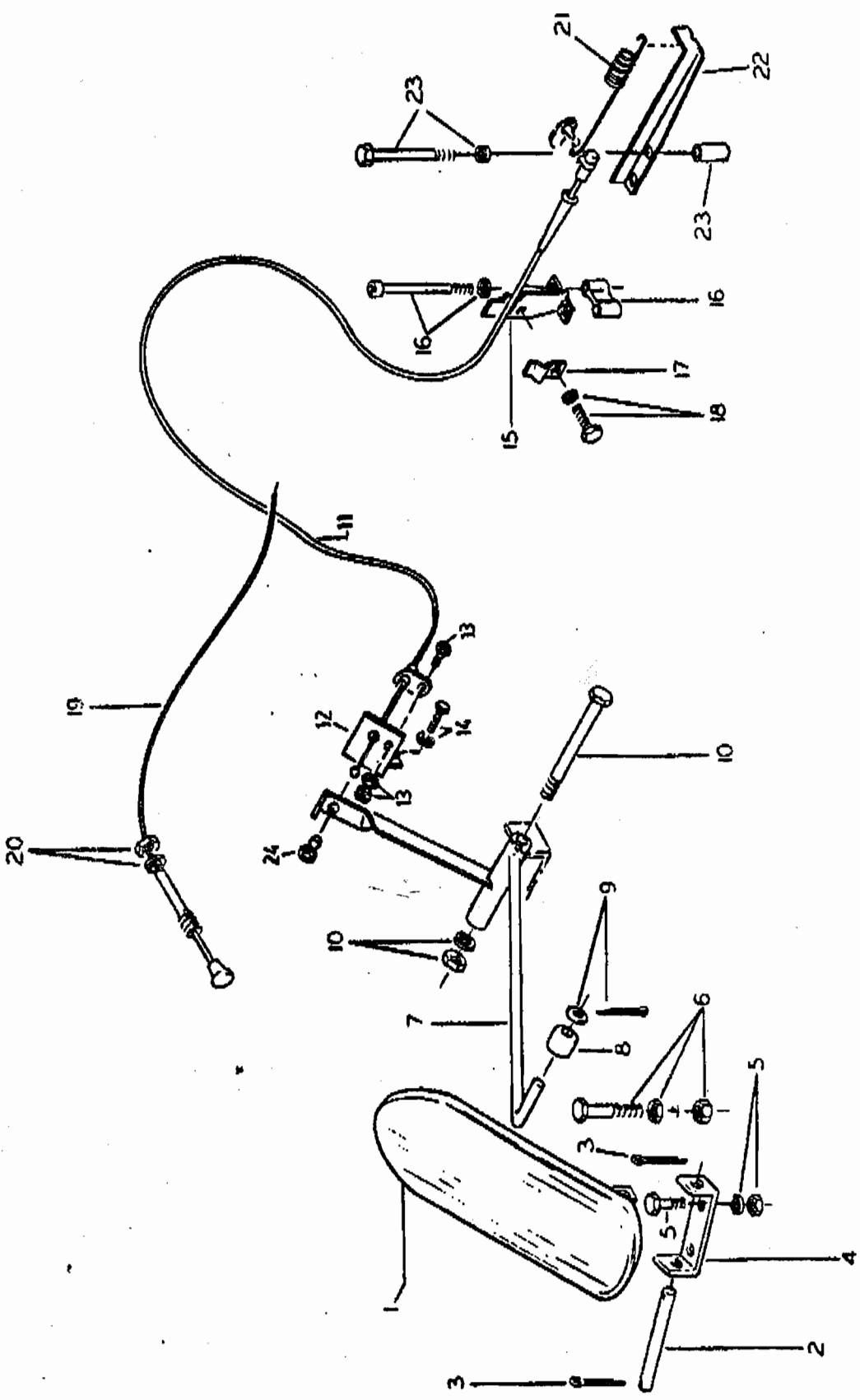
Item	DATA PLATES & DECALS (USE ILLUSTRATION 6713-P)	Req'd	CTAE-1-3250 thru Lot 3765 CTAE-1-3815 AND ABOVE	Item
1	Plate, Data	1	tt	1
2	Screw, Data Plate	4	1751924	2
3	Decal, Transmission Fluid	1	1747755	3
4	Decal, Caution	1	1747702	4
5	Decal, Logo	3	1722358	5
6	Decal, Time Delay	1	1747770	6
7	Decal, Ignition Switch	1	1747745	7
8	NOT USED		Not Used	

AUG 86

107.1

X160

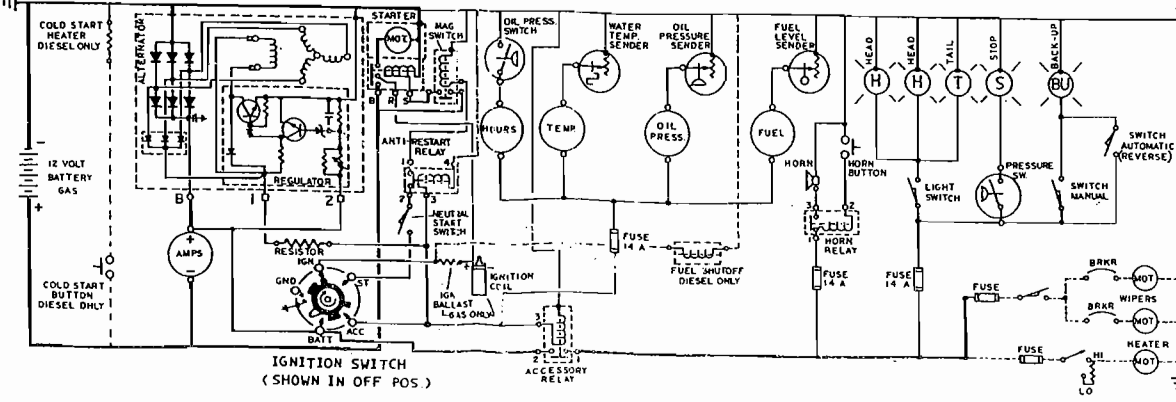
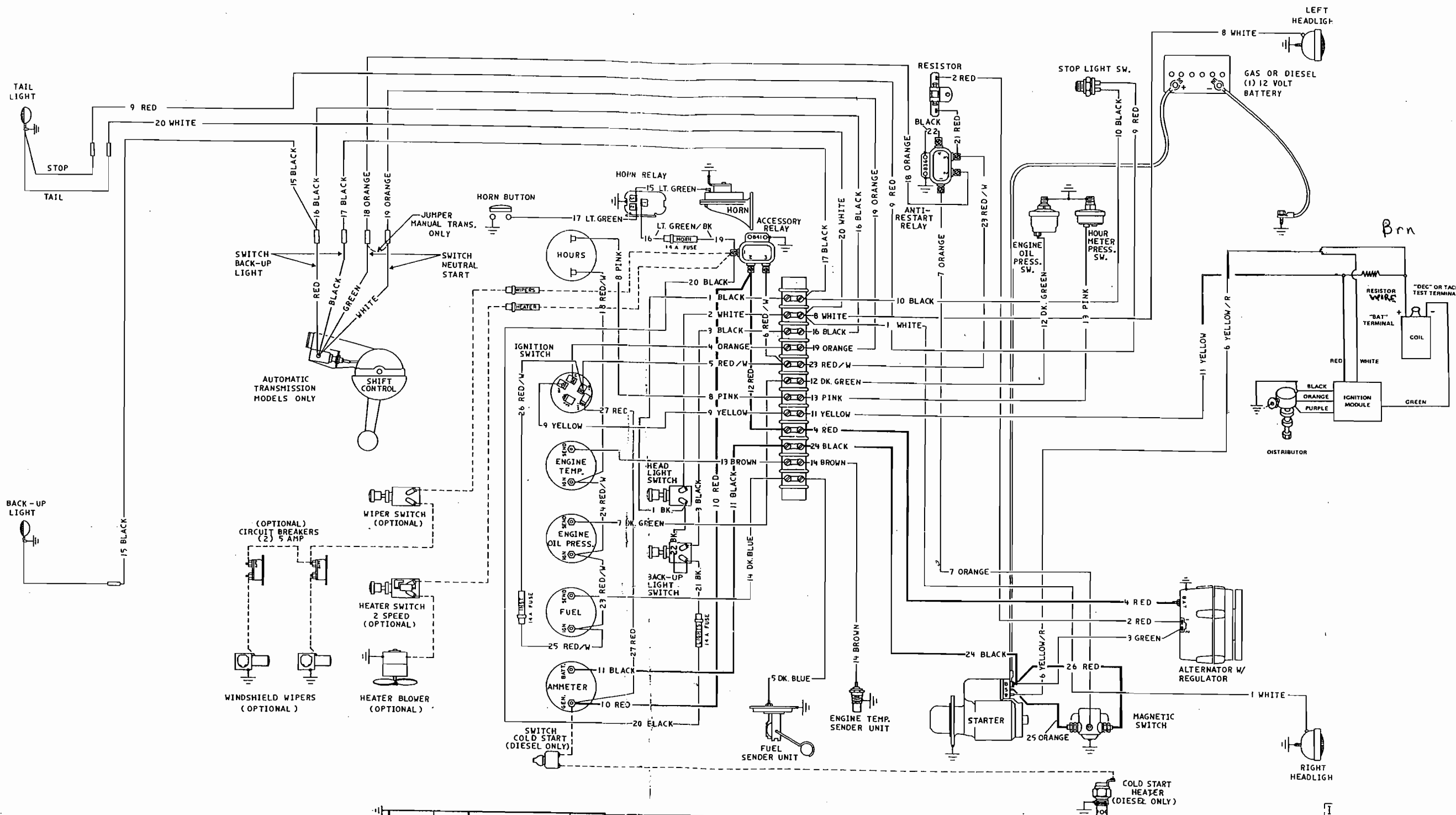
E P I	ACCELERATOR PEDAL AND LINKAGE (USE ILLUSTRATION 7425-P)		QTY	PART NO.	DESCRIPTION	UNIT	CF-1-5001 AND ABOVE	WELL
	Description	QTY						
1		Pedal, Accelerator	1	664983				
2		Pin, Pedal to Bracket Pivot	1	623762				
3		Cotter Pin, Pivot Pin	1	1F316				
4		Bracket, Pedal Mounting	1	664984				
5		Bolt, Accelerator Pedal Bracket	2	2C410				
		Lockwasher	2	23E4				
		Nut	2	62DA				
6		Bolt, Accelerator Pedal	1	2C5A0				
		Nut	2	805				
7		Lever, Accelerator	1	237727				
8		Roller, Accelerator Pedal	1	1663494				
9		Washer, Accelerator Pedal Roller	1	664423				
		Cotter Pin	1	1FA10				
10		Bolt, Accelerator Lever	1	1311191				
		Washer	1	664403				
		Nut	1	5905				
11		Cable, Accelerator Control	1	2377274				
12		Bracket, Accelerator Control Cable	1	2377276				
13		Bolt, Accelerator Control Cable	2	1C412				
		Lockwasher	2	23E4				
		Nut	2	61D4				
14		Bolt, Control Cable Bracket	2	1C416				
		Washer	2	664421				
		Lockwasher	2	23E4				
15		Bracket, Accelerator Cable	1	999505				
16		Bolt, Accelerator Cable	4	1C520				
		Lockwasher	4	26E5PA				
		Spacer	4	907967				
17		Clip, Cable to Bracket	1	895524				
18		Screw, Bracket Clip	1	1C410				
		Lockwasher	1	23E4				
19		Control Cable, Choke	1	2356899				
20		Nut, Choke Control Cable	1	6206				
		Lockwasher	1	9E6				
21		Spring, Accelerator Return	1	990374				
22		Bracket, Accelerator Return Spring	1	990375				
23		Bolt, Return Spring Bracket	2	1C548				
		Lockwasher	2	23E5				
		Spacer	2	302551				
24		Retainer, Accelerator Cable	1	2377278				



7A25-P

ACCELERATOR PEDAL AND LINKAGE

SEP 84



LEGEND
 — WIRES IN HARNESS
 - - - WIRES NOT IN HARNESS
 - - - ALTERNATE WIRING

DIM ARE IN INCHES
 DIM IN 3 ARE MM
 UNITS IN 3 ARE ISO METRIC
 EXCEPT AS NOTED

WIRING DIAGRAM

CLARK EQUIPMENT IN-199
 CLARKTON ALL
 E NO SCALE WT

